

# Double Containment Tubing Termination Fittings

DCTTM-2-0523

## Innovation Driven Solutions



PFA Tubing Termination Fittings  
(Tubing not included)

Spears® provides innovative solutions to complex problems and our Double Containment Tubing Termination Fittings are another excellent example. The Tubing Termination Fitting allows the user to double contain PFA tubing - the preferred tubing in chemical delivery, tool hook-up and sub-fab applications that require long pipe runs. These special Termination Fittings come in a wide variety of sizes and materials that can be matched to suit your needs.

### Full 1/4" through 1-1/2" Tubing Size Availability

Spears® comprehensive line of double containment PFA tubing termination fittings are designed for PFA tubing sizes 1/4" through 1-1/2" inside secondary containment IPS couplings in sizes 1" through 6" schedule piping. See size range in table below. Tubing Termination Fittings for tubing sizes other than PFA are available. Contact Spears® Manufacturing Company for more information.

### Termination Disc Can be Customized to Accommodate Multiple PFA Tubing Ports

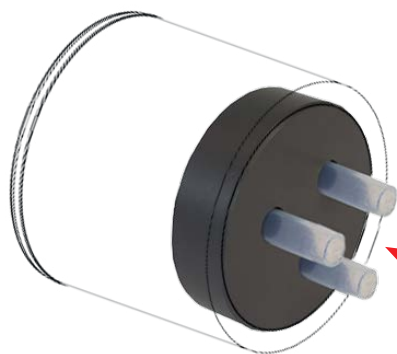
Our fabrication capability allows us to offer termination discs that will accommodate a single or multiple PFA tubing ports within one Termination Fitting. When ordering, specify the number of tubing ports required and we will fabricate to order. Also, Spears® can provide multiple ports for IPS pipe sizes.

### Tubing Termination Fitting Ratings

PVC secondary containment piping material is rated to service temperatures up to 140°F (60°C). CPVC is rated up to 200°F (93°C) allowing for use in a wide range of process applications, including corrosive fluids. Termination fittings are rated to 10psig @ 73°F (23°C).

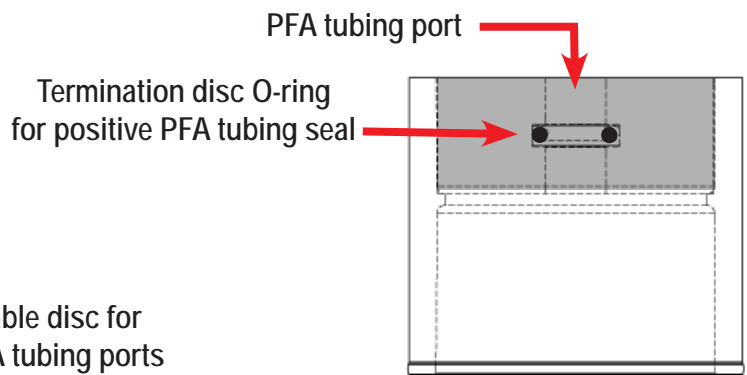
### Sample Engineering Specification

All Double Containment Tubing Termination Fittings shall be produced by Spears® Manufacturing Company from PVC Type I, cell classification 12454, or CPVC Type 4, cell classification 23447 as applicable conforming to ASTM Standard D1784. All Tubing Termination Fittings shall be assembled with a special thermoplastic disc to allow user-supplied tubing passage. Choice of sealing O-rings shall be EPDM or FKM. Tubing Termination Fittings shall be pressure rated to 10psig @ 73° F ( 23°C ).



(Tubing not included)

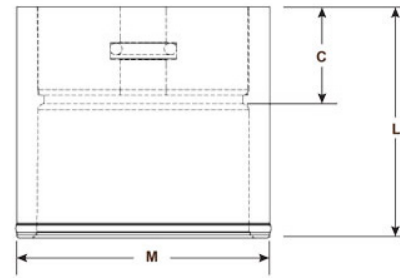
Customizable disc for multiple PFA tubing ports



Termination Fitting Size & Material Availability	
PFA Tubing Sizes	1/4", 3/8", 1/2", 5/8", 3/4", 1", 1-1/4", 1-1/2"
Secondary Containment Sizes	1", 1-1/4", 1-1/2", 2", 2-1/2", 3", 4", 6"
Secondary Containment Fitting Options	PVC: SCH40, SCH40 Clear, SCH80
	CPVC: SCH40, SCH80
O-ring Options	EPDM, FKM
Other material combinations and sizes are available. Contact Spears® for more information	

## Termination Fitting - Double Containment

Tubing Size x Socket



Part Number PFA X PVC SCH40 Clear <sup>1</sup>	Size <sup>2</sup>	L	M	C	Approx. Wt. (lbs.) PVC SCH40 Clear
DCTM-T002-G020	1/4X2	2-1/2	2-3/4	1-1/8	.52
DCTM-T005-G020	1/2X2	2-1/2	2-3/4	1-1/8	.57
DCTM-T006-G020	5/8X2	2-1/2	2-3/4	1-1/8	.44
DCTM-T007-G020	3/4X2	2-1/2	2-3/4	1-1/8	.52
DCTM-T010-G030	1X3	3-1/16	4	1-3/16	.64
DCTM-T012-G030	1-1/4X3	3-1/16	4	1-3/16	1.17
DCTM-T015-G030	1-1/2X3	3-1/16	4	1-3/16	1.17

<sup>1</sup>Other material and port combinations available.

<sup>2</sup>Other size combinations available.

## SPEARS® DOUBLE CONTAINMENT SYSTEMS

Spears® double containment systems provide a complete solution for protecting against system leakage, promoting employee safety and limiting system downtime. Our double containment systems offer a variety of thermoplastic material combinations and fitting configurations to suit your project requirements. Spears® double containments systems are easily installed utilizing the solvent cementing process and installation training is available.

## TERMINATION FITTINGS

Termination Fittings are designed to start and stop secondary containment according to manufacturer's specifications and are suitable for use with Spears® specified primary carrier and secondary containment system.

## PRESSURE TESTING SYSTEM

After all joints have properly cured, the Secondary Containment system may be air tested at 5 to 8 psig regulated pressure.

**WARNING:** System must NOT be tested with direct connection of air-line, nitrogen bottle, or similar unregulated pressure device. Test apparatus must be equipped with both a pressure limiting device at the source to assure that 8 psig pressure is not exceeded and an air relief device at the far end of the system is set at a maximum pressure of 8 psig. FAILURE TO FOLLOW THIS PROCEDURE CAN RESULT IN SERIOUS OR FATAL BODILY INJURY. Use a spray bottle of soap and water solution to check for leaks at joints. The Primary Carrier system should be hydrostatically tested. Flush the system to remove any debris and slowly fill to remove all entrapped air. Double Containment Tubing Termination Fittings are pressure rated to 10psig @ 73° F ( 23°C ).

## DOUBLE CONTAINMENT INSTALLATION TRAINING

Spears® offers double containment training classes in the proper solvent cement, handling and installation techniques for installing contractors and their employees. These sessions are complimentary, available with advanced notification and must be scheduled. Contact your local Spears® Representative for details and to schedule a session.

**PROGRESSIVE PRODUCTS FROM SPEARS® INNOVATION & TECHNOLOGY**



**SPEARS® MANUFACTURING COMPANY**

15853 Olden St., Sylmar, CA 91342 • PO Box 9203, Sylmar, CA 91392  
(818) 364-1611 • [www.spearsmfg.com](http://www.spearsmfg.com)

