



EverTUFF® GripLoc™ CTS CPVC Couplings

GLCTS-2NP-0414

Spears® GripLoc™ CTS CPVC Couplings are designed to provide safe, reliable connections for transition to copper pipe and to aid in quick repairs without use of solvent cement. Permanent installation and sealing prevents inadvertent separation of pipe – an extremely important aspect of use in hot water distribution systems.



- ✓ Stainless Steel Gripper Ring Permanently Holds Pipe Joint in Place
- ✓ Internal High Grade EPDM O-ring Seals Provides Permanent, Reliable Sealing
- ✓ Excellent Transition Fitting Between Copper and Superior CTS CPVC System Installations
- ✓ Eliminates Downtime In Making System Repairs – Even Wet Lines Will Not Affect Sealing
- ✓ Suitable for Use In Underground Direct Burial Applications as a Manufactured Joint
- ✓ NSF® Certified Lead-Free for Use in Potable Water Systems

Produced in nominal CTS CPVC Pipe sizes 1/2", 3/4" and 1". Pressure rated to 100 psi @ 180°F

**WARNING: DO NOT INSERT FINGERS
IF USED ON GROUNDED COPPER-TO-COPPER,
A GROUND CABLE IS REQUIRED TO BRIDGE
CPVC.**



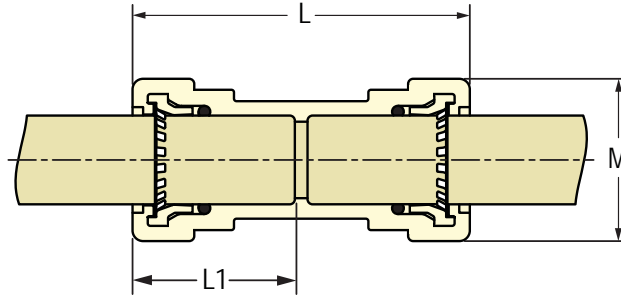
Excellent Transition Fitting
Between Copper and CTS
CPVC System Installations

Progressive Products From Spears® Innovation & Technology

GripLoc™ CTS CPVC Couplings - LEAD FREE

EPDM O-ring

Pressure Rating
100 PSI @ 180 °F

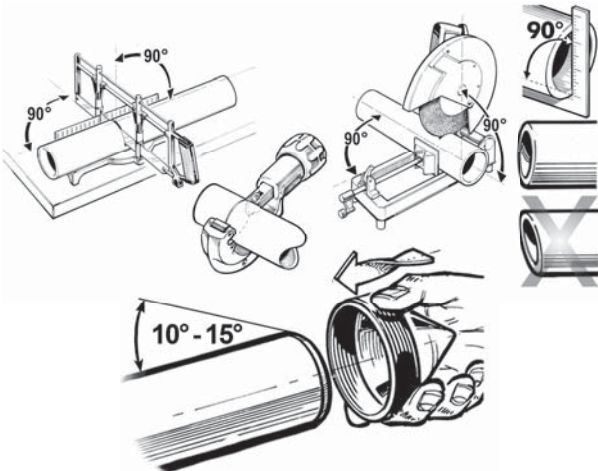


Part Number	Size	L	L1	M	Approx. Wt. (Lbs.)
GL4129-005	1/2	2-3/4	1-5/16	1-1/4	.09
GL4129-007	3/4	3-9/32	1-9/16	1-17/32	.13
GL4129-010	1	4	1-29/32	2	.22

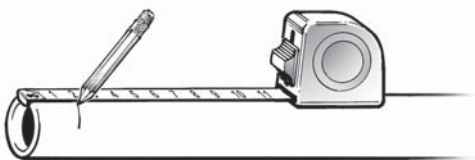
WARNING: DO NOT INSERT FINGERS

EASY INSTALLATION

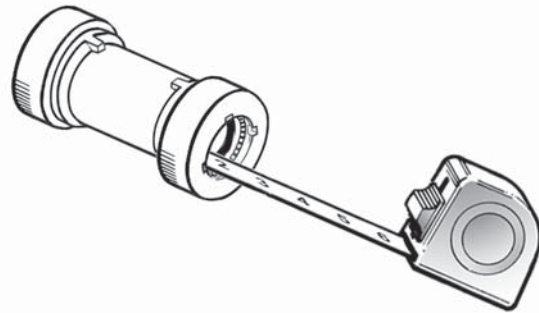
STEP 1 Cut pipe square. Deburr and bevel.



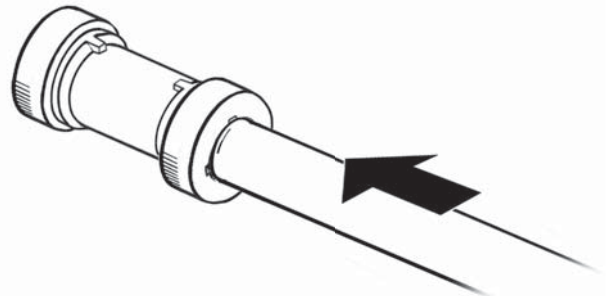
STEP 3 Measure and mark pipe.



STEP 2 Measure from pipe stop to the end of the coupling.



STEP 4 Insert pipe all the way to mark with a twisting motion. Pipe should bottom out at the pipe stop.



ENSURE THAT PIPE AND FITTINGS ARE FREE OF DIRT AND DEBRIS PRIOR TO INSTALLATION.



SPEARS® MANUFACTURING COMPANY
CORPORATE OFFICE

15853 Olden St., Sylmar, CA 91342 • PO Box 9203, Sylmar, CA 91392
(818) 364-1611 • www.spearsmfg.com



