



BUTTERFLY VALVE ACCESSORIES

Lug Insert Sets



- Field installable lugs for all Spears® PVC & CPVC Standard Butterfly Valves only.
- Allows easy single-side installation to mating flange.
- Choice of high corrosion resistant 316 stainless steel or zinc plated steel construction.

Valve Size	316 Stainless Steel Part Number	Zinc Plated Steel Part Number
1-1/2	LUG1-015	LUG2-015
2 & 2-1/2	LUG1-020	LUG2-020
3	LUG1-030	LUG2-030
4	LUG1-040	LUG2-040
6 & 8	LUG1-080	LUG2-080
10 & 12	LUG1-120	LUG2-120

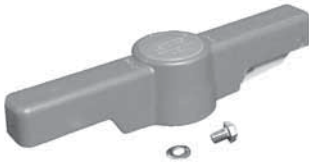
Lever Handle Kits



- Exact replacement or conversion handle for Spears® 1-1/2" through 8" Butterfly Valves.
- High impact polypropylene construction featuring quick-action reinforced polymer position stop and grip with built-in lock-out capability.
- Includes all components and hardware assembled for quick installation.

Valve Size	Part Number
1-1/2	BFH-015
2 & 2-1/2	BFH-020
3	BFH-030
4	BFH-040
6	BFH-060
8	BFH-080

T-Handle Kits



- Specialty Handle for minimum space requirements.
- High impact polypropylene construction featuring quick-action reinforced polymer position stop and grip with built-in lock-out capability.

Valve Size	Part Number
3	BFTH-030
4	BFTH-040

Speed Handle for Gear Operator



- Quickly attaches to Spears® Gear Operator Handle to allow rapid opening or closing of valve.

Valve Size	Part Number
1-1/2 - 12	SH-120

Positive Stem Stop for Butterfly Valve with Gear Operator



- Provides positive stop for Gear Operator shaft to avoid changes in the degree of opening for varying flow conditions.

Valve Size	Part Number
1-1/2 - 12	PSS-120
14 - 24	PSS-240

BUTTERFLY VALVE ACCESSORIES



2" Square / T-Style Operator Nuts

- Allows operation with conventional 2" Square or T-Style handle wrenches.
- Fits All Spears® Butterfly Valve Gear Operators.
(NOT FOR USE ON VALVE STEM)

Valve Size	Part Number
1-1/2 - 24	GTN-040

Gear Operator Kits



For Wafer Style Butterfly Valves replace the "GO" prefix with "GOW" in the part number.

- Bolt-on conversion or replacement unit for all Spears® Butterfly Valves.
- Cast aluminum construction with high efficiency worm gear drive, built-in position indicator and easy-grip polypropylene handwheel.
- Includes all components and hardware for direct mount to valve.

Gear Operator Kits

Valve Size	1-1/2	2	2-1/2	3	4	6	8	10	12
Part Number	GO-015	GO-020	GO-025	GO-030	GO-040	GO-060	GO-080	GO-100	GO-120

Powder Coated Gear Operator Kits

Valve Size	1-1/2	2	2-1/2	3	4	6	8	10	12
Part Number	GOP-015	GOP-020	GOP-025	GOP-030	GOP-040	GOP-060	GOP-080	GOP-100	GOP-120

Extended Chemical Resistance Options

Spears® offers several options for extended chemical resistance in PVC, CPVC and Polypropylene Butterfly Valves, including those listed below. Contact Spears® for additional ordering information.

PTFE Seat Sleeves

- PTFE envelope-type sleeve encases and isolates Spears® standard elastomer seat for extended chemical resistance while maintaining resiliency and sealing capability.
- Available for valve sizes 1-1/2" - 12"
- Sold factory-installed in PVC, CPVC or PP valves.

Teflon® Coated Valve Stems

- Durable, bonded Teflon® coating over standard SS 316L stem for extended chemical resistance.
- Viable alternative to more costly special alloy stems.
- Available for all valve sizes.
- Sold factory installed in PVC, CPVC or PP valves.



BUTTERFLY VALVE ACCESSORIES



(VALVE NOT INCLUDED)

Chainwheel Operator Kits

For Wafer Style Butterfly Valves replace the "CO" prefix with "COW" in the part number.

- Bolt-on conversion unit for all Spears® Butterfly Valves. Includes all hardware for direct mount to valve.
- Enables operation of Spears® Butterfly Valves in high, normally out of reach locations. Makes valve opening or closing easy by means of a slight pull on the sprocket chain.
- Unit consists of Cast Aluminum high efficiency Gear Operator with Aluminum Alloy Sprocket Rim and Chain Guide.
- Chain options provide choice of 316 Stainless Steel, Hot-Dipped Galvanized or Brass. Order separately to desired length.

Note: In horizontal system installations, Chainwheel Operators should be generally mounted with operator below valve (inverted valve) to maintain clearance between chain and system piping. Check for adequate clearance before installing an operator in a top-mount position.

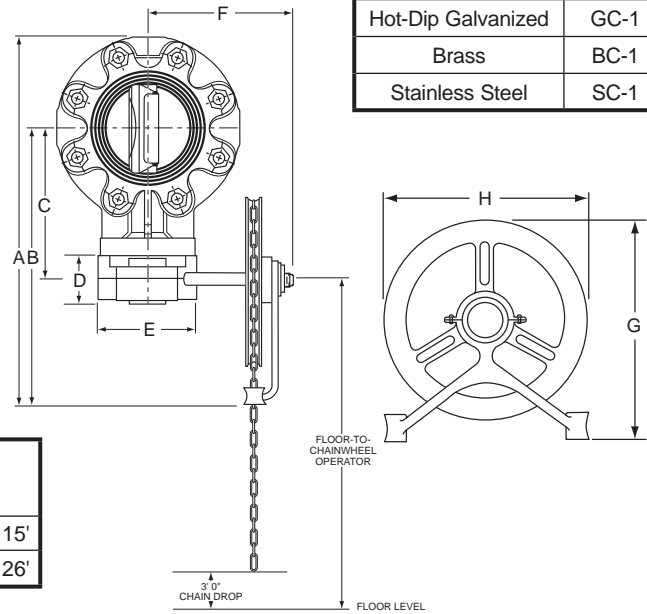
Valve Size	Part Number
2	CO-020
2-1/2	CO-025
3	CO-030
4	CO-040
6	CO-060
8	CO-080
10	CO-100
12	CO-120
14-24	CO-140

2-1/2" and smaller kits available on special order basis.

LOCK-LINK CHAIN OPTIONS	Part Number
Hot-Dip Galvanized	GC-1
Brass	BC-1
Stainless Steel	SC-1

Determining Floor-to-Chainwheel Height

Typical orientation is shown for valve in horizontal piping system installation. Floor-to-Chainwheel height is determined by subtracting the specified "C" dimension from the system centerline height (add "C" dimension if used with top-mount orientation). In vertical piping system installations, the Floor-to-Chainwheel height is the same as that for the centerline location of the valve in the system.

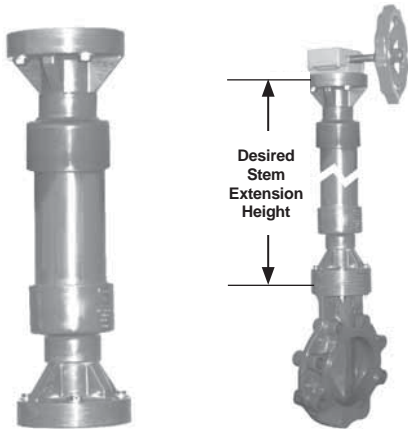


How to Order Chain									
Required chain length is based on chain drop at 3 ft. from floor.									
Floor-to-Chainwheel Height	7'	8'	9'	10'	11'	12'	13'	14'	15'
Required Chain Length	10'	12'	14'	16'	18'	20'	22'	24'	26'

Chainwheel Operator Dimensions (Note: w denotes Wafer Style Butterfly Valve Dimensions)

Valve Size	A	A w	B	B w	C	C w	D	D w	E	E w	F	F w	G	G w	H	H w
2	12-15/16	12-3/16	9-15/16	9-1/8	5-7/8	5-1/8	2-3/8	2-3/8	4-13/16	4-13/16	5-7/16	5-7/16	7-3/4	7-3/4	7-3/8	7-3/8
2-1/2	13-11/16	13-3/16	10-3/16	9-5/8	6-1/8	5-5/8	2-3/8	2-3/8	4-13/16	4-13/16	5-7/16	5-7/16	7-3/4	7-3/4	7-3/8	7-3/8
3	14-7/16	13-3/4	10-11/16	10-1/16	6-5/8	6-1/16	2-3/8	2-3/8	4-13/16	4-13/16	5-7/16	5-7/16	7-3/4	7-3/4	7-3/8	7-3/8
4	15-15/16	14-13/16	11-7/16	10-1/2	7-3/8	6-1/2	2-3/8	2-3/8	4-13/16	4-13/16	5-7/16	5-7/16	7-3/4	7-3/4	7-3/8	7-3/8
6	19-5/16	17-13/16	13-13/16	12-1/4	9-3/4	8-1/4	2-3/8	2-3/8	4-13/16	4-13/16	5-7/16	5-7/16	7-3/4	7-3/4	7-3/8	7-3/8
8	21-9/16	20-7/16	14-13/16	13-9/16	10-3/4	9-9/16	2-3/8	2-3/8	4-13/16	4-13/16	5-7/16	5-7/16	7-3/4	7-3/4	7-3/8	7-3/8
10	24-3/16	-	16-3/16	-	12-1/8	-	2-3/8	-	5-3/8	-	6-7/16	-	7-3/4	-	7-3/8	-
12	26-11/16	-	17-3/16	-	13-1/8	-	2-3/8	-	5-3/8	-	6-7/16	-	7-3/4	-	7-3/8	-
14	31	-	20-1/2	-	14-1/2	-	2-3/4	-	6-7/8	-	7-1/4	-	10-1/2	-	9	-
16	33-1/2	-	21-3/4	-	15-3/4	-	2-3/4	-	6-7/8	-	7-1/4	-	10-1/2	-	9	-
18	35	-	22-1/2	-	16-1/2	-	2-3/4	-	6-7/8	-	7-1/4	-	10-1/2	-	9	-
20	37-1/2	-	23-3/4	-	17-3/4	-	2-3/4	-	6-7/8	-	7-1/4	-	10-1/2	-	9	-
24	42	-	26	-	20	-	2-3/4	-	6-7/8	-	7-1/4	-	10-1/2	-	9	-

BUTTERFLY VALVE ACCESSORIES



Stem Extensions

For Wafer Style Butterfly Valves replace the “BFSE” prefix with “BFSEW” in the part number.

- Designed for use on Spears® Butterfly Valves.
- Corrosion Resistant PVC Housing.
- Stainless Steel Internal Extension Shaft.
- All Mounting Hardware Included.
- Detailed Instructions for Quick Assembly.
- Fabricated to Order in Standard 6" Increments.

Typical Application (VALVE NOT INCLUDED)

Gear Operator (shown) or Lever Handle Sold with Valve

Stem Extension Height	Valve Size						
	1-1/2	2 & 2-1/2	3	4	6	8	10
24	BFSE-015-240	BFSE-020-240	BFSE-030-240	BFSE-040-240	BFSE-060-240	BFSE-080-240	BFSE-100-240
30	BFSE-015-300	BFSE-020-300	BFSE-030-300	BFSE-040-300	BFSE-060-300	BFSE-080-300	BFSE-100-300
36	BFSE-015-360	BFSE-020-360	BFSE-030-360	BFSE-040-360	BFSE-060-360	BFSE-080-360	BFSE-100-360
42	BFSE-015-420	BFSE-020-420	BFSE-030-420	BFSE-040-420	BFSE-060-420	BFSE-080-420	BFSE-100-420
48	BFSE-015-480	BFSE-020-480	BFSE-030-480	BFSE-040-480	BFSE-060-480	BFSE-080-480	BFSE-100-480
54	BFSE-015-540	BFSE-020-540	BFSE-030-540	BFSE-040-540	BFSE-060-540	BFSE-080-540	BFSE-100-540
60	BFSE-015-600	BFSE-020-600	BFSE-030-600	BFSE-040-600	BFSE-060-600	BFSE-080-600	BFSE-100-600
66	BFSE-015-660	BFSE-020-660	BFSE-030-660	BFSE-040-660	BFSE-060-660	BFSE-080-660	BFSE-100-660
72	BFSE-015-720	BFSE-020-720	BFSE-030-720	BFSE-040-720	BFSE-060-720	BFSE-080-720	BFSE-100-720
78	BFSE-015-780	BFSE-020-780	BFSE-030-780	BFSE-040-780	BFSE-060-780	BFSE-080-780	BFSE-100-780
84	BFSE-015-840	BFSE-020-840	BFSE-030-840	BFSE-040-840	BFSE-060-840	BFSE-080-840	BFSE-100-840
90	BFSE-015-900	BFSE-020-900	BFSE-030-900	BFSE-040-900	BFSE-060-900	BFSE-080-900	BFSE-100-900
96	BFSE-015-960	BFSE-020-960	BFSE-030-960	BFSE-040-960	BFSE-060-960	BFSE-080-960	BFSE-100-960
102	BFSE-015-1020	BFSE-020-1020	BFSE-030-1020	BFSE-040-1020	BFSE-060-1020	BFSE-080-1020	BFSE-100-1020
108	BFSE-015-1060	BFSE-020-1080	BFSE-030-1080	BFSE-040-1080	BFSE-060-1080	BFSE-080-1080	BFSE-100-1080
114	BFSE-015-1140	BFSE-020-1140	BFSE-030-1140	BFSE-040-1140	BFSE-060-1140	BFSE-080-1140	BFSE-100-1140
120	BFSE-015-1200	BFSE-020-1200	BFSE-030-1200	BFSE-040-1200	BFSE-060-1200	BFSE-080-1200	BFSE-100-1200

Stem Extension Height	Valve Size					
	12	14	16	18	20	24
24	BFSE-120-240	BFSE-140-240	BFSE-160-240	BFSE-180-240	BFSE-200-240	BFSE-240-240
30	BFSE-120-300	BFSE-140-300	BFSE-160-300	BFSE-180-300	BFSE-200-300	BFSE-240-300
36	BFSE-120-360	BFSE-140-360	BFSE-160-360	BFSE-180-360	BFSE-200-360	BFSE-240-360
42	BFSE-120-420	BFSE-140-420	BFSE-160-420	BFSE-180-420	BFSE-200-420	BFSE-240-420
48	BFSE-120-480	BFSE-140-480	BFSE-160-480	BFSE-180-480	BFSE-200-480	BFSE-240-480
54	BFSE-120-540	BFSE-140-540	BFSE-160-540	BFSE-180-540	BFSE-200-540	BFSE-240-540
60	BFSE-120-600	BFSE-140-600	BFSE-160-600	BFSE-180-600	BFSE-200-600	BFSE-240-600
66	BFSE-120-660	BFSE-140-660	BFSE-160-660	BFSE-180-660	BFSE-200-660	BFSE-240-660
72	BFSE-120-720	BFSE-140-720	BFSE-160-720	BFSE-180-720	BFSE-200-720	BFSE-240-720
78	BFSE-120-780	BFSE-140-780	BFSE-160-780	BFSE-180-780	BFSE-200-780	BFSE-240-780
84	BFSE-120-840	BFSE-140-840	BFSE-160-840	BFSE-180-840	BFSE-200-840	BFSE-240-840
90	BFSE-120-900	BFSE-140-900	BFSE-160-900	BFSE-180-900	BFSE-200-900	BFSE-240-900
96	BFSE-120-960	BFSE-140-960	BFSE-160-960	BFSE-180-960	BFSE-200-960	BFSE-240-960
102	BFSE-120-1020	BFSE-140-1020	BFSE-160-1020	BFSE-180-1020	BFSE-200-1020	BFSE-240-1020
108	BFSE-120-1080	BFSE-140-1080	BFSE-160-1080	BFSE-180-1080	BFSE-200-1080	BFSE-240-1080
114	BFSE-120-1140	BFSE-140-1140	BFSE-160-1140	BFSE-180-1140	BFSE-200-1140	BFSE-240-1140
120	BFSE-120-1200	BFSE-140-1200	BFSE-160-1200	BFSE-180-1200	BFSE-200-1200	BFSE-240-1200

Basic Stem Extension height is 24" and is manufactured in standard 6" increments. Intermediate Stem Extension heights are available and are priced to the next full 6" increment. For heights over 120", please contact your servicing Spears® Regional Distribution Center.