

GAUGE GUARDS



Optional gauge shown, not included with basic unit

Features - PVC, CPVC & PP

Gauge Guards isolate process pressure or vacuum gauges from corrosive or other potentially damaging process media by use of a thin PTFE (standard) Viton®, or EPDM diaphragm. This flexible membrane accurately transmits system pressure to gauge connection chamber when properly assembled with gauge and liquid filled. Available in PVC, CPVC or Polypropylene construction with 1/2" x 1/4" or 1/4" x 1/4" inlet x outlet NPT connections.

- PTFE Diaphragm (Standard), Viton® or EPDM Available
- Type 316 Stainless Steel Fasteners
- 1/4" NPT Gauge Port with O-ring Seal - No Thread Sealant Required
- 1/4" or 1/2" NPT Pressure Inlet Featuring Spears® Patented Special Reinforced (SR) Female Plastic Thread - Suitable for Either Plastic or Metal Male NPT Thread Connection
- Pressure Rated to 235 psi @ 73°F, 16 Bar @ 22°C and Full Vacuum Service
- Mount in Any Position

Note: Elevated service temperatures require system pressure de-rating.

Quick View Gauge Guard Selection

Inlet Size (in.)	PVC Part Numbers ^{1,2,3,4}		
	Diaphragm		
	PTFE	EPDM	Viton®
1/4	G0004-002	G0002-002	G0003-002
1/2	G0004-005	G0002-005	G0003-005

- 1: Gauge Guard only. Contact Spears® for pre-filled Gauge & Gauge Guard combination units.
- 2: For CPVC, add the letter "C" to the part number (e.g., G0004-002C)
- 3: For PP, add the letter "P" to the part number (e.g., G0004-002P)
- 4: For Special Reinforced add the letters "SR" to the part number (e.g., G0004-002SR)

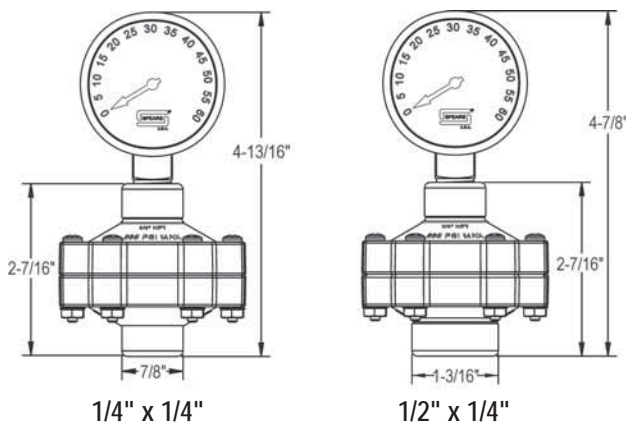
General Installation Information

The Gauge Guard and gauge must be completely filled with a suitable liquid, such as glycerin or distilled water, on the gauge side of the diaphragm in order to accurately transmit system pressure or vacuum. Follow packaged instructions for proper filling and installation. Factory installed Gauge & Gauge Guard units are pre-filled. (Contact Spears® Technical Service for additional information). While PTFE diaphragms generally have a broader range of chemical resistance, Viton® or EPDM elastomer diaphragms are more sensitive and should be used in low pressure (i.e., 0-15 psi) and vacuum applications.

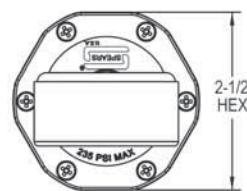
Optional Pre-filled, Factory Installed Gauge & Gauge Guard

Gauge Type	Available Range	Dial	Connection	Housing
Pressure	0-15 psi 0-30 psi 0-60 psi 0-100 psi 0-160 psi 0-200 psi 0-300 psi	Black marking on white face, black dial	1/4 NPT Brass, Bottom Mount	Steel cased, Epoxy enamel finish
Vacuum	0-30 in-Hg			

Dimensions



Top View



Optional gauge shown, not included with basic unit