



# FlameGuard® TorqueSafe™ GASKET SEALED HEAD ADAPTER

GSA-2-0209

*The CPVC Fire Sprinkler Head Adapter  
You've Been Waiting For...*



- Eliminates Radial Stress
- Requires NO Thread Sealants
- Eliminates Sealant Incompatibility
- Prevents Over Tightening
- Provides Easy Frame Alignment
- UL® Listed for U.S. and Canada
- FM® Approved

Spears® TorqueSafe™ revolutionary design features a special molded-in-place Brass Thread Insert fitted with an elastomer gasket seal at the base of the threads. The gasket seal allows a modified thread design that eliminates radial stress and associated problems typical with tapered thread joint make up. The insert is designed to rotate during head installation for easy sprinkler frame alignment without over tightening!

### No Sealant = No More Problem!

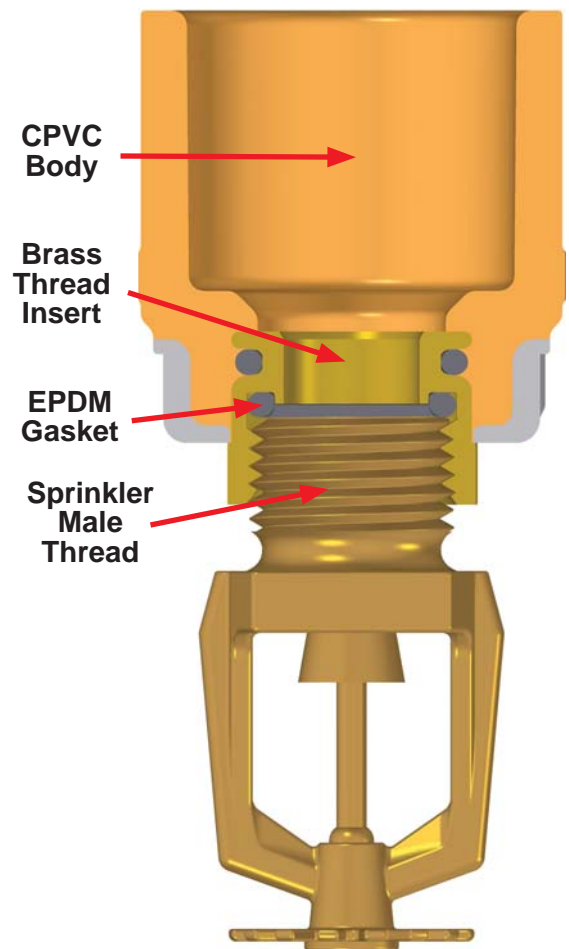
Using incompatible thread pastes and pipe dopes is the major cause of environmental stress cracking in plastics. Tape sealants are far too frequently improperly or excessively applied. These problems are fully eliminated!

### NO-Stress Thread Design

The modified straight thread design is Engineered to provide a tight joint at full engagement without radial stress from tapered thread expansion. An internal gasket retaining lip serves as a positive stop against over tightening. No stress assures years of long, trouble free service.

### Gasket Sealing

An EPDM gasket has been Engineered for sealing against the sprinkler head. The NPT male thread starts on all sprinkler heads provide a uniform surface for positive, reliable seal. Hundreds of tests have been performed using virtually all brands of heads and even rough, galvanized pipe nipples without any damage or loss of sealing.



Patent Pending

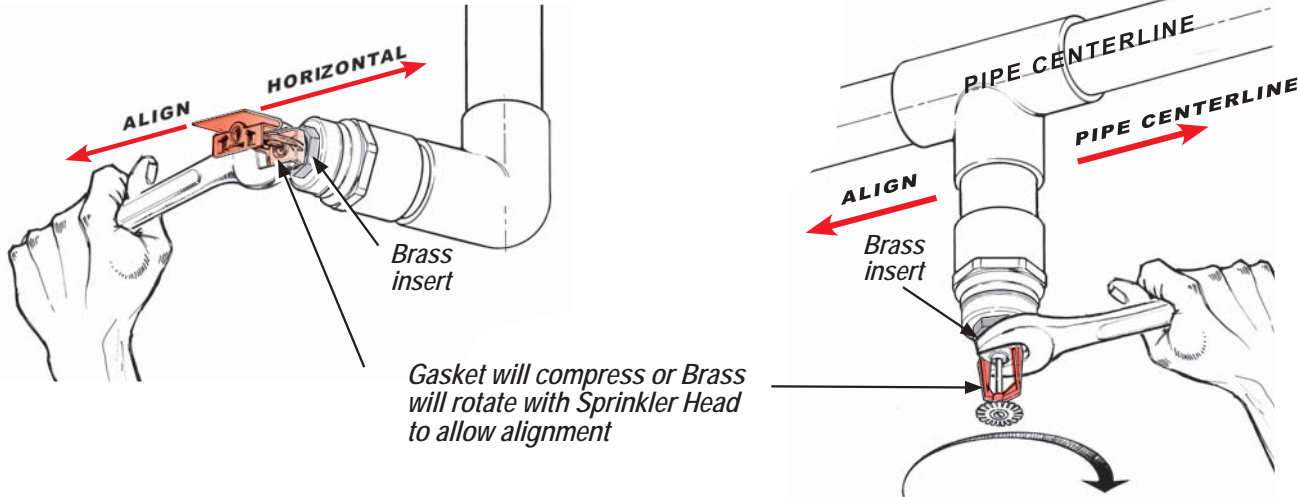
**PROGRESSIVE PRODUCTS FROM SPEARS® INNOVATION & TECHNOLOGY**

Visit our web site: [www.spearsmfg.com](http://www.spearsmfg.com)

## Simply Hand Install Head & Align

### Wrench Alignment

If necessary for alignment, rotate sprinkler head clockwise until frame is properly aligned. Gasket will compress or brass will rotate with sprinkler head until aligned. **Caution: DO NOT use back-up wrench on brass insert hex.**



**DO NOT Reverse or Back up Threaded Assembly. If over-adjusted continue to rotate clockwise until properly aligned.**

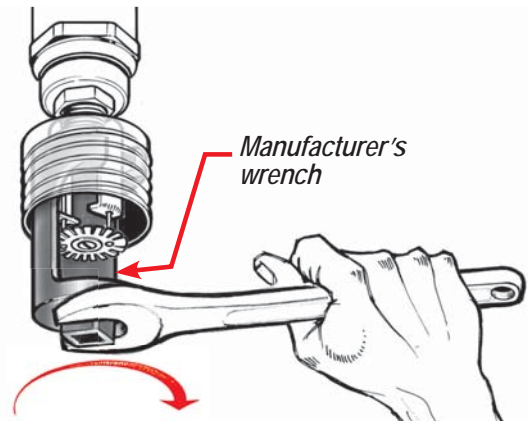
## Installing Concealed Sprinkler Escutcheons

*Follow these steps to assure extra firm seating of Head*

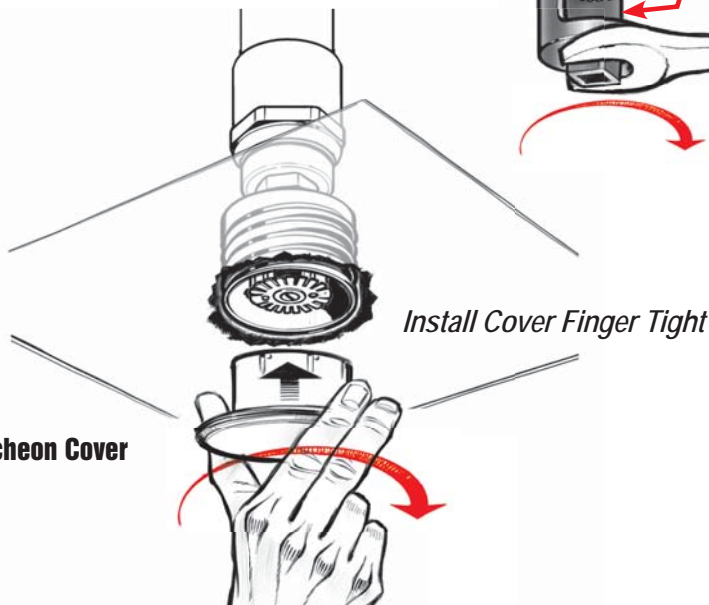
### 1. Install Sprinkler Head/Escutcheon.



### 2. Tighten Sprinkler Head/Escutcheon with manufacturer's wrench until snug.



### 3. Install Escutcheon Cover



**SPEARS® MANUFACTURING COMPANY**  
CORPORATE OFFICE

15853 Olden St., Sylmar, CA 91342 • PO Box 9203, Sylmar, CA 91392  
(818) 364-1611 • [www.spearsmfg.com](http://www.spearsmfg.com)

