

Discount Code(s): 066 LXT Clear Valves
218 PVC Lab & Needle Valves
219 CPVC & PP Lab & Needle Valves

*Item prices may have changed from those shown in this sheet.
See Spears® On-line Catalog for most current pricing, updated daily.*



Lab Fixtures



Visit our web site:
www.spearsmfg.com

PRICE SCHEDULE LF-1-0910
Effective September 26, 2010
Supersedes: LF-1-1009



Lab Fixtures

100% Corrosion Resistance - No Metal Parts

Spears® Lab Fixtures have *no metal parts*; this provides full resistance to internal or environmental corrosion. These fixtures are compatible with all laboratory service lines. Lab Fixtures are produced from PVC (gray) and CPVC (for hot water), or special Low-Extractable (LXT) PVC for high purity applications, and are available in a variety of types and configurations.

- **Deck Mount** – base configuration for horizontal surface mounting.
- **Panel Mount** – base configuration for vertical surface mounting.
- **Standard Gooseneck Units** – select all-plastic needle valve unit (no elastomer seals) for metered flow or ball valve unit (choice of EPDM or Viton® seals) for direct flow. Unit includes valve, gooseneck with serrated tip, and base with nut for mounting. Select Deck or Panel Mount style.
- **Standard Turret Units** – direct flow ball valve (choice of EPDM or Viton® seals) with serrated tip and base with connecting nipple and nut for mounting. Select Deck or Panel Mount style.
- **Remote Valve Units (No Valve)** – same as standard units less valve for use with remotely located valve.
- **Recirculating Units** – Special design provides continuous water motion without dead-leg areas of contamination and potential bacteria build-up. Internal supply tube fully circulates water through the entire fixture when connected to circulating water supply. Unit features gooseneck with terminally mounted all-plastic needle valve and serrated tip (no elastomer seals) for metered flow. Base is Deck Mount only with inlet and outlet connecting nipples with mounting nuts.

NPT - American National Standard Tapered Pipe Thread • NPSM - American National Standard Straight Thread For Free Fitting Mechanical Joints
Viton® is a registered trademark of DuPont Dow Elastomers

Not for Use With Compressed Air or Gas

Prices subject to change without notice. Possession of this price schedule shall not be construed as an offer to sell the products listed. Product drawing(s) and photograph(s) are representative and may not fully reflect product configuration.

For information on Spears® Low Extractable (LXT) PVC see publication LXT-4

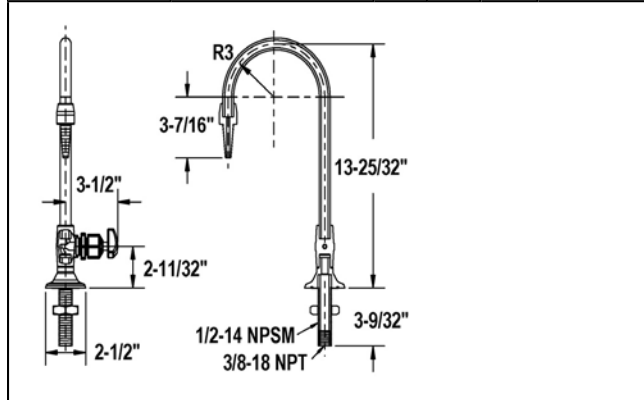
Lab Fixtures



Part Number	Size	Std Pk	Mstr Ctn	Disc Code	Price Each
-------------	------	--------	----------	-----------	------------

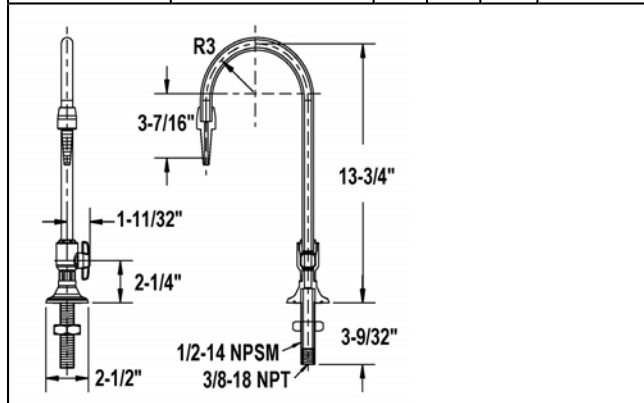
Standard Gooseneck Units - Deck Mount Lab Fixture - Base with Valve, Gooseneck & Serrated Tip with Needle Valve-Metered Flow

LF1000-N	PVC, PTFE Seal	1	0	218	179.79
LF1000-CN	CPVC, PTFE Seal	1	0	219	224.47
LF1000-BLN	LXT, PTFE Seal	1	0	066	357.55



Standard Gooseneck Units - Deck Mount Lab Fixture - with Ball Valve Direct Flow

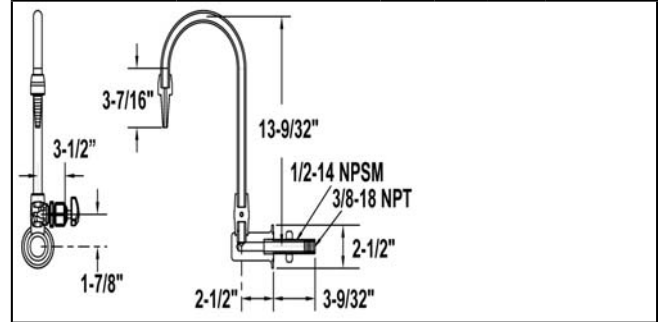
LF1002	PVC, EPDM Seal	1	0	218	150.18
LF1003	PVC, Viton® Seal	1	0	218	166.86
LF1002-C	CPVC, EPDM Seal	1	0	219	187.72
LF1003-C	CPVC, Viton® Seal	1	0	219	208.57
LF1002-BL	LXT, EPDM Seal	1	0	066	299.00
LF1003-BL	LXT, Viton® Seal	1	0	066	332.23



Part Number	Size	Std Pk	Mstr Ctn	Disc Code	Price Each
-------------	------	--------	----------	-----------	------------

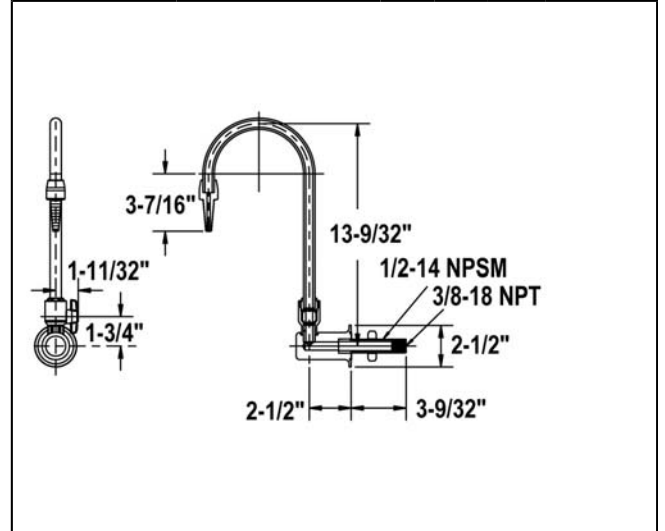
Standard Gooseneck Units - Panel Mount Lab Fixture - Base with Valve, Gooseneck & Serrated Tip with Needle Valve-Metered Flow

LF2000-N	PVC, PTFE Seal	0	0	218	262.02
LF2000-CN	CPVC, PTFE Seal	0	0	219	327.51



Standard Gooseneck Units - Panel Mount Lab Fixture - with Ball Valve-Direct Flow

LF2002	PVC, EPDM Seal	0	0	218	225.88
LF2003	PVC, Viton® Seal	3	0	218	250.99
LF2002-C	CPVC, EPDM Seal	0	0	219	282.37
LF2003-C	CPVC, Viton® Seal	0	0	219	313.72



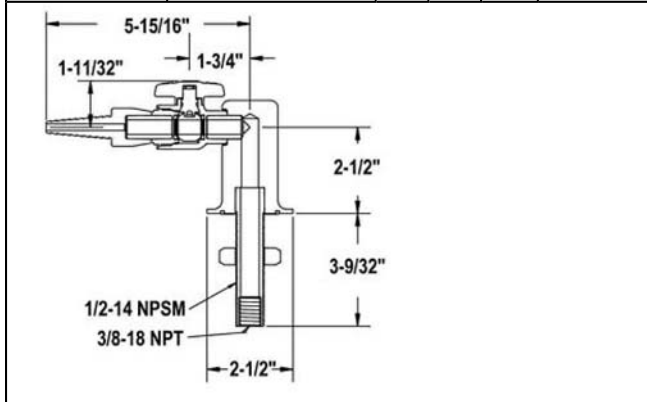


Lab Fixtures

Part Number	Size	Std Pk	Mstr Ctn	Disc Code	Price Each
-------------	------	--------	----------	-----------	------------

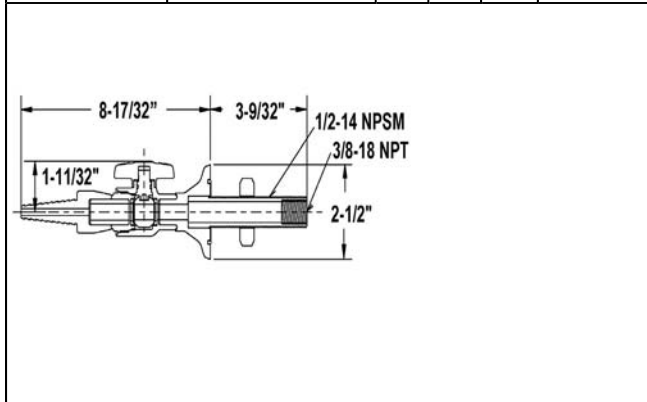
Standard Turret Units - Deck Mount Turret Lab Fixtures Base - with Valve & Serrated Tip with Ball Valve-Direct Flow

LF4002	PVC, EPDM Seal	0	0	218	190.59
LF4003	PVC, Viton® Seal	0	0	218	211.76
LF4002-C	PVC, EPDM Seal	0	0	219	238.23
LF4003-C	PVC, Viton® Seal	0	0	219	264.71



Standard Turret Units - Panel Mount Turret Lab Fixture Base - with Valve & Serrated Tip with Ball Valve-Direct Flow

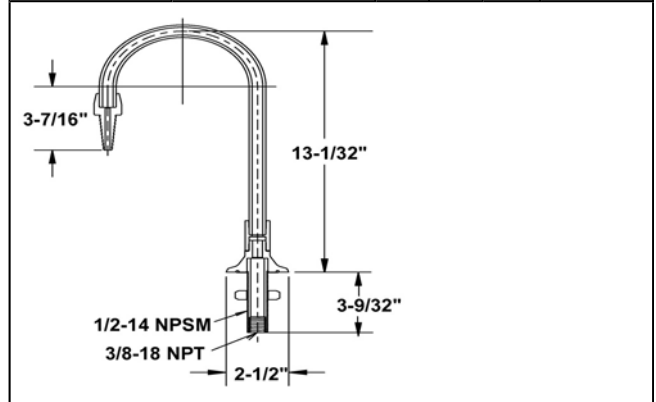
LF3002	PVC, EPDM Seal	0	0	218	147.72
LF3003	PVC, Viton® Seal	0	0	218	164.15
LF3002-C	PVC, EPDM Seal	0	0	219	184.67
LF3003-C	PVC, Viton® Seal	0	0	219	205.19
LF3002-BL	PVC, EPDM Seal	1	0	066	294.12
LF3003-BL	PVC, Viton® Seal	1	0	066	326.84



Part Number	Size	Std Pk	Mstr Ctn	Disc Code	Price Each
-------------	------	--------	----------	-----------	------------

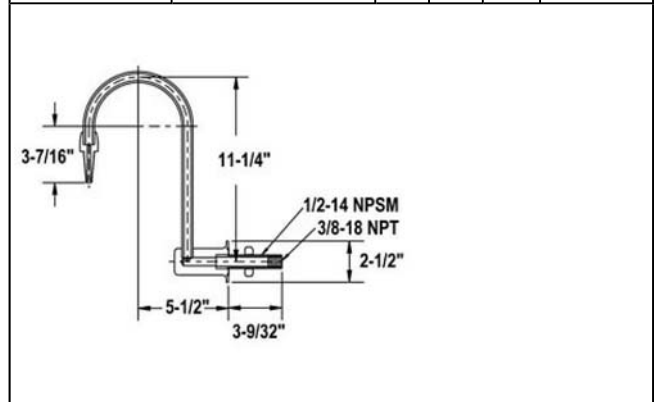
Remote Valve Units (No Valve) - Deck Mount Gooseneck - Base with Gooseneck & Serrated Tip

LF100	PVC	1	0	218	123.24
LF100-C	CPVC	1	0	219	154.06
LF100-BL	LXT	1	0	066	245.37



Remote Valve Units (No Valve) - Panel Mount Gooseneck - Base with Gooseneck & Serrated Tip

LF104	PVC	0	0	218	152.23
LF104-C	CPVC	0	0	219	190.29



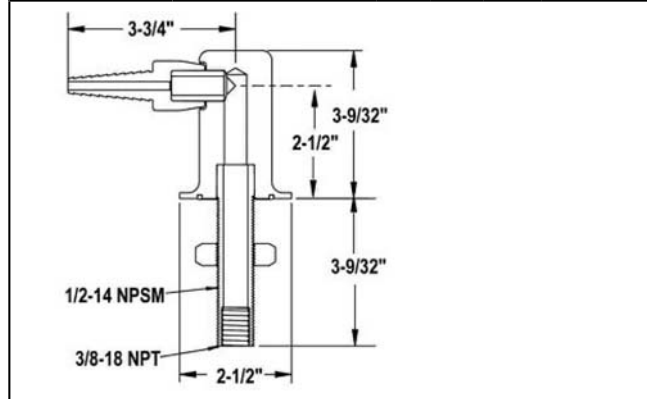
Lab Fixtures



Part Number	Size	Std Pk	Mstr Ctn	Disc Code	Price Each
-------------	------	--------	----------	-----------	------------

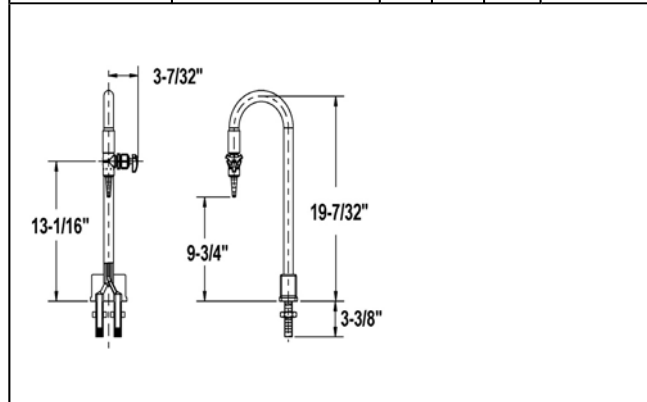
Remote Valve Units (No Valve) - Deck Mount Turret - Base with Serrated Tip

LF300	PVC	0	0	218	40.61
LF300-C	CPVC	0	0	219	50.77



Recirculating Units - Recirculating Deck Mount Lab Fixture - Base with Gooseneck, Valve & Serrated Tip with Needle Valve

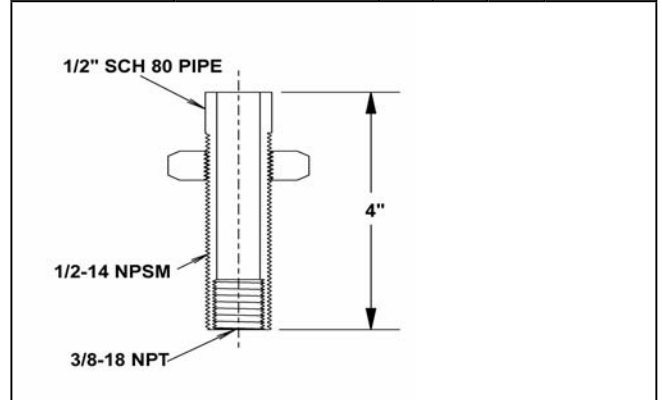
LFR1000-N	PVC, PTFE Seal	1	0	218	312.89
LFR1000-CN	CPVC, PTFE Seal	1	0	219	467.63
LFR1000-BLN	LXT, PTFE Seal	1	0	066	744.85



Part Number	Size	Std Pk	Mstr Ctn	Disc Code	Price Each
-------------	------	--------	----------	-----------	------------

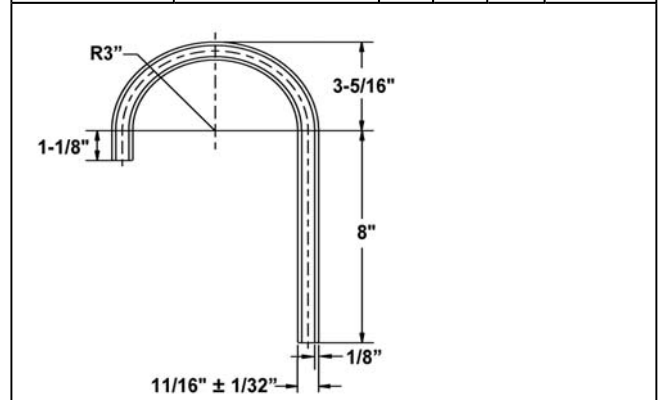
Accessory/Replacement - Fixture Connection Nipple - (included on all fixtures above) with Locknut

LF500	PVC	0	0	218	20.39
LF500-C	CPVC	0	0	219	25.50
LF500-BL	LXT	0	0	066	40.64



Accessory/Replacement - Gooseneck (3/8")

LFGN	PVC	1	0	218	17.33
LFGN-C	CPVC	0	0	219	21.69
LFGN-BL	LXT	0	0	066	34.54



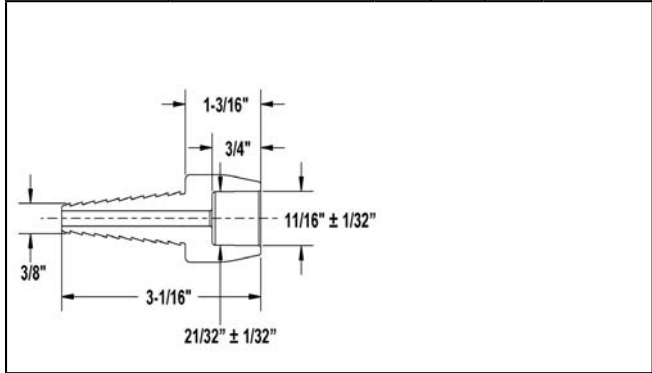


Lab Fixtures

Part Number	Size	Std Pk	Mstr Ctn	Disc Code	Price Each
-------------	------	--------	----------	-----------	------------

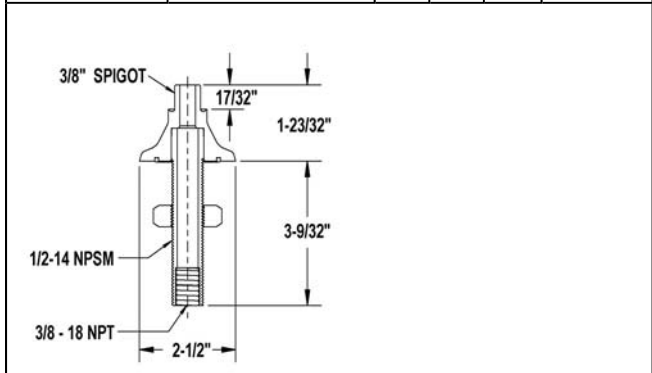
Accessory/Replacement - Straight Serrated Tip

LF400	PVC	600	0	218	3.67
LF400-C	CPVC	600	0	219	4.61
LF400-BL	LXT	600	0	066	7.31



Accessory/Replacement - Base Deck Mount

LFB	PVC	0	0	218	7.48
LFB-C	CPVC	0	0	219	8.93
LFB-BL	LXT	0	0	066	5.11





CONTENT

PRODUCTS

Standard Gooseneck Units - Deck Mount Lab Fixture - Base with Valve, Gooseneck & Serrated Tip with Needle Valve-Metered Flow	2
Standard Gooseneck Units - Deck Mount Lab Fixture - with Ball Valve Direct Flow	2
Standard Gooseneck Units - Panel Mount Lab Fixture - Base with Valve, Gooseneck & Serrated Tip with Needle Valve-Metered Flow	2
Standard Gooseneck Units - Panel Mount Lab Fixture - with Ball Valve-Direct Flow	2
Standard Turret Units - Deck Mount Turret Lab Fixtures Base - with Valve & Serrated Tip with Ball Valve-Direct Flow	3
Standard Turret Units - Panel Mount Turret Lab Fixture Base - with Valve & Serrated Tip with Ball Valve-Direct Flow	3
Remote Valve Units (No Valve) - Deck Mount Gooseneck - Base with Gooseneck & Serrated Tip	3
Remote Valve Units (No Valve) - Panel Mount Gooseneck - Base with Gooseneck & Serrated Tip	3
Remote Valve Units (No Valve) - Deck Mount Turret - Base with Serrated Tip	4
Recirculating Units - Recirculating Deck Mount Lab Fixture - Base with Gooseneck, Valve & Serrated Tip with Needle Valve	4
Accessory/Replacement - Fixture Connection Nipple - (included on all fixtures above) with Locknut	4
Accessory/Replacement - Gooseneck (3/8")	4
Accessory/Replacement - Straight Serrated Tip	5
Accessory/Replacement - Base Deck Mount	5

The Spears® Quality Policy

It is the policy and objective of Spears® Manufacturing Company to produce a superior quality product suitable for its intended use, with regard to functionality, structural integrity, and conformance to established industry standards and practices. It is the commitment of this Company to do so in a manner which provides consistency of product quality, optimum availability, and superior customer service, while maintaining efficiency of operations and profitability necessary to perpetuate product improvement and customer satisfaction. Furthermore, it is recognized that the attainment of these objectives is the responsibility of all Company operations and personnel according to their respective functions.



SPEARS® MANUFACTURING COMPANY • CORPORATE OFFICE

15853 Olden St., Sylmar, CA 91342 • PO Box 9203, Sylmar, CA 91392

(818) 364-1611 • www.spearsmfg.com



PACIFIC SOUTHWEST

15860 Olden St.
Sylmar (Los Angeles), CA 91342
(818) 364-1611 • (800) 862-1499
Fax (818) 367-3014

ROCKY MOUNTAIN

4880 Florence St.
Denver, CO 80238
(303) 371-9430 • (800) 777-4154
Fax (303) 375-9546

UTAH

5395 West 1520 South
Salt Lake City, UT 84104
(303) 371-9430 • (800) 777-4154
Fax (303) 375-9546

SOUTHEAST

4205 Newpoint Pl., Suite 100
Lawrenceville (Atlanta), GA 30043
(678) 985-1263 • (800) 662-6326
Fax (678) 985-5642

MIDWEST

1 Gateway Ct., Suite A
Bolingbrook (Chicago), IL 60440
(630) 759-7529 • (800) 662-6330
Fax (630) 759-7515

NORTHWEST

4103 C St. NE Suite 200
Auburn (Seattle), WA 98002
(253) 939-4433 • (800) 347-7327
Fax (253) 939-7557

SOUTH CENTRAL

1000 Lakeside Parkway
Flower Mound, TX 75028
(469) 528-3000 • (800) 441-1437
Fax (469) 528-3001

NORTHEAST

590 Industrial Dr., Suite 100
Lewisberry (Harrisburg), PA 17339-9532
(717) 938-8844 • (800) 233-0275
Fax (717) 938-6547

FLORIDA

9563 Parksouth Court
Orlando, FL 32837
(407) 843-1960 • (800) 327-6390
Fax (407) 425-3563

INTERNATIONAL SALES

15853 Olden St.
Sylmar (Los Angeles), CA 91342
(818) 364-1611 • Fax (818) 898-3774