

Discount Code(s): 066 LXT Clear Valves
218 PVC Lab & Needle Valves
219 CPVC & PP Lab & Needle Valves

*Item prices may have changed from those shown in this sheet.
See Spears® On-line Catalog for most current pricing, updated daily.*



Lab Fixtures



Visit our web site:
www.spearsmfg.com

PRICE SCHEDULE LF-1-1009
Effective October 26, 2009
Supersedes: LF-1-0708A



Lab Fixtures

100% Corrosion Resistance - No Metal Parts

Spears® Lab Fixtures have *no metal parts*; this provides full resistance to internal or environmental corrosion. These fixtures are compatible with all laboratory service lines. Lab Fixtures are produced from PVC (gray) and CPVC (for hot water), or special Low-Extractable (LXT) PVC for high purity applications, and are available in a variety of types and configurations.

- **Deck Mount** – base configuration for horizontal surface mounting.
- **Panel Mount** – base configuration for vertical surface mounting.
- **Standard Gooseneck Units** – select all-plastic needle valve unit (no elastomer seals) for metered flow or ball valve unit (choice of EPDM or Viton® seals) for direct flow. Unit includes valve, gooseneck with serrated tip, and base with nut for mounting. Select Deck or Panel Mount style.
- **Standard Turret Units** – direct flow ball valve (choice of EPDM or Viton® seals) with serrated tip and base with connecting nipple and nut for mounting. Select Deck or Panel Mount style.
- **Remote Valve Units (No Valve)** – same as standard units less valve for use with remotely located valve.
- **Recirculating Units** – Special design provides continuous water motion without dead-leg areas of contamination and potential bacteria build-up. Internal supply tube fully circulates water through the entire fixture when connected to circulating water supply. Unit features gooseneck with terminally mounted all-plastic needle valve and serrated tip (no elastomer seals) for metered flow. Base is Deck Mount only with inlet and outlet connecting nipples with mounting nuts.

NPT - American National Standard Tapered Pipe Thread • NPSM - American National Standard Straight Thread For Free Fitting Mechanical Joints
Viton® is a registered trademark of DuPont Dow Elastomers

Not for Use With Compressed Air or Gas

Prices subject to change without notice. Possession of this price schedule shall not be construed as an offer to sell the products listed. Product drawing(s) and photograph(s) are representative and may not fully reflect product configuration.

For information on Spears® Low Extractable (LXT) PVC see publication LXT-4

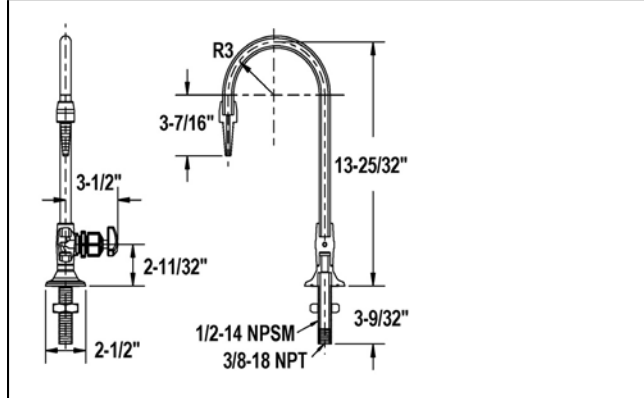
Lab Fixtures



| Part Number | Size | Std Pk | Mstr Ctn | Disc Code | Price Each |
|-------------|------|--------|----------|-----------|------------|
|-------------|------|--------|----------|-----------|------------|

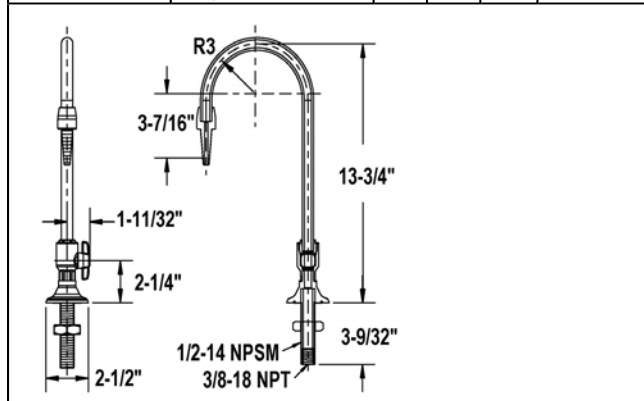
Standard Gooseneck Units - Deck Mount Lab Fixture - Base with Valve, Gooseneck & Serrated Tip with Needle Valve-Metered Flow

| | | | | | |
|------------|-----------------|---|---|-----|--------|
| LF1000-N | PVC, PTFE Seal | 1 | 0 | 218 | 169.00 |
| LF1000-CN | CPVC, PTFE Seal | 1 | 0 | 219 | 211.00 |
| LF1000-BLN | LXT, PTFE Seal | 1 | 0 | 066 | 336.10 |



Standard Gooseneck Units - Deck Mount Lab Fixture - with Ball Valve Direct Flow

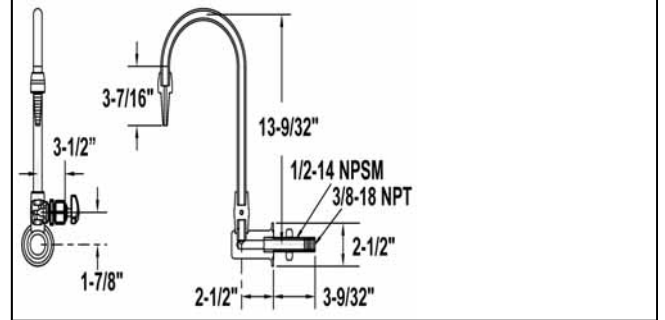
| | | | | | |
|-----------|-------------------|---|---|-----|--------|
| LF1002 | PVC, EPDM Seal | 1 | 0 | 218 | 141.17 |
| LF1003 | PVC, Viton® Seal | 1 | 0 | 218 | 156.85 |
| LF1002-C | CPVC, EPDM Seal | 1 | 0 | 219 | 176.46 |
| LF1003-C | CPVC, Viton® Seal | 1 | 0 | 219 | 196.06 |
| LF1002-BL | LXT, EPDM Seal | 1 | 0 | 066 | 281.06 |
| LF1003-BL | LXT, Viton® Seal | 1 | 0 | 066 | 312.30 |



| Part Number | Size | Std Pk | Mstr Ctn | Disc Code | Price Each |
|-------------|------|--------|----------|-----------|------------|
|-------------|------|--------|----------|-----------|------------|

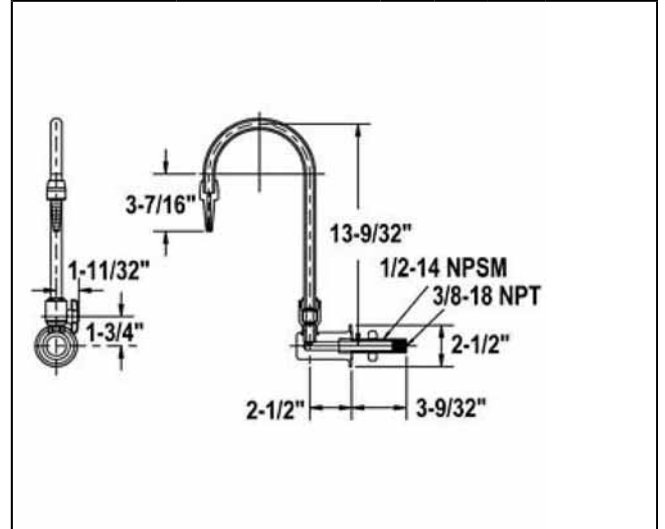
Standard Gooseneck Units - Panel Mount Lab Fixture - Base with Valve, Gooseneck & Serrated Tip with Needle Valve-Metered Flow

| | | | | | |
|-----------|-----------------|---|---|-----|--------|
| LF2000-N | PVC, PTFE Seal | 0 | 0 | 218 | 246.30 |
| LF2000-CN | CPVC, PTFE Seal | 0 | 0 | 219 | 307.86 |



Standard Gooseneck Units - Panel Mount Lab Fixture - with Ball Valve-Direct Flow

| | | | | | |
|----------|-------------------|---|---|-----|--------|
| LF2002 | PVC, EPDM Seal | 0 | 0 | 218 | 212.33 |
| LF2003 | PVC, Viton® Seal | 0 | 0 | 218 | 235.93 |
| LF2002-C | CPVC, EPDM Seal | 0 | 0 | 219 | 265.43 |
| LF2003-C | CPVC, Viton® Seal | 0 | 0 | 219 | 294.90 |



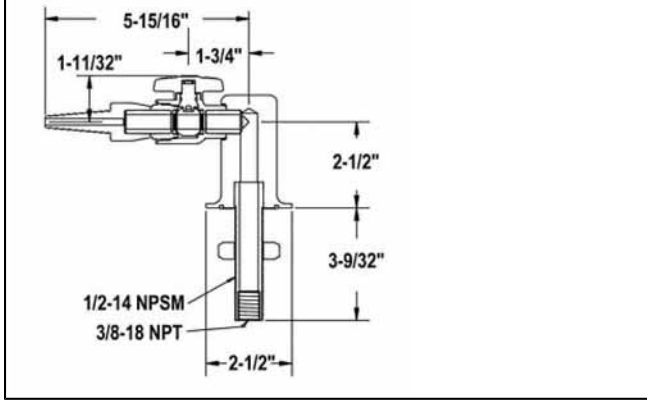


Lab Fixtures

| Part Number | Size | Std Pk | Mstr Ctn | Disc Code | Price Each |
|-------------|------|--------|----------|-----------|------------|
|-------------|------|--------|----------|-----------|------------|

Standard Turret Units - Deck Mount Turret Lab Fixtures Base - with Valve & Serrated Tip with Ball Valve-Direct Flow

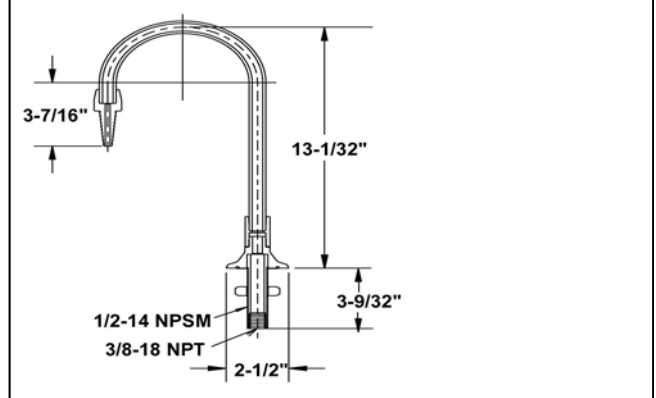
| | | | | | |
|----------|------------------|---|---|-----|--------|
| LF4002 | PVC, EPDM Seal | 0 | 0 | 218 | 179.15 |
| LF4003 | PVC, Viton® Seal | 0 | 0 | 218 | 199.05 |
| LF4002-C | PVC, EPDM Seal | 0 | 0 | 219 | 223.94 |
| LF4003-C | PVC, Viton® Seal | 0 | 0 | 219 | 248.83 |



| Part Number | Size | Std Pk | Mstr Ctn | Disc Code | Price Each |
|-------------|------|--------|----------|-----------|------------|
|-------------|------|--------|----------|-----------|------------|

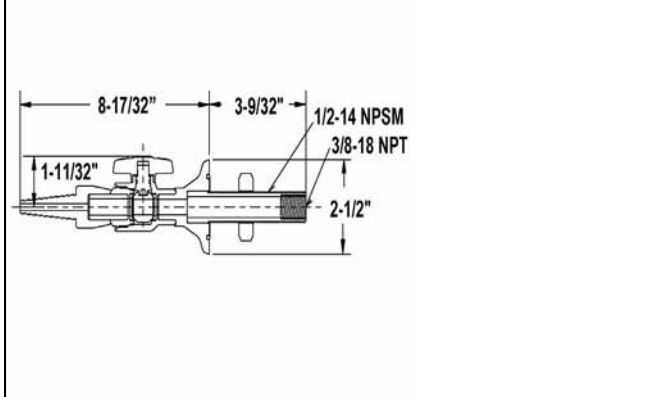
Remote Valve Units (No Valve) - Deck Mount Gooseneck - Base with Gooseneck & Serrated Tip

| | | | | | |
|----------|------|---|---|-----|--------|
| LF100 | PVC | 1 | 0 | 218 | 115.85 |
| LF100-C | CPVC | 1 | 0 | 219 | 144.82 |
| LF100-BL | LXT | 1 | 0 | 066 | 230.65 |



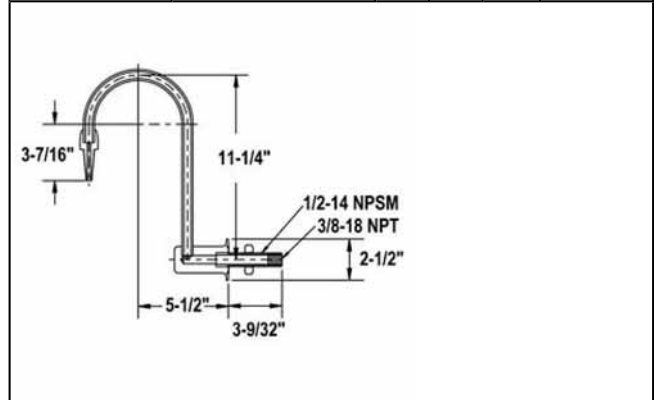
Standard Turret Units - Panel Mount Turret Lab Fixture Base - with Valve & Serrated Tip with Ball Valve-Direct Flow

| | | | | | |
|-----------|------------------|---|---|-----|--------|
| LF3002 | PVC, EPDM Seal | 0 | 0 | 218 | 138.86 |
| LF3003 | PVC, Viton® Seal | 0 | 0 | 218 | 154.30 |
| LF3002-C | PVC, EPDM Seal | 0 | 0 | 219 | 173.59 |
| LF3003-C | PVC, Viton® Seal | 0 | 0 | 219 | 192.88 |
| LF3002-BL | PVC, EPDM Seal | 1 | 0 | 066 | 276.47 |
| LF3003-BL | PVC, Viton® Seal | 1 | 0 | 066 | 307.23 |



Remote Valve Units (No Valve) - Panel Mount Gooseneck - Base with Gooseneck & Serrated Tip

| | | | | | |
|---------|------|---|---|-----|--------|
| LF104 | PVC | 0 | 0 | 218 | 143.10 |
| LF104-C | CPVC | 0 | 0 | 219 | 178.87 |



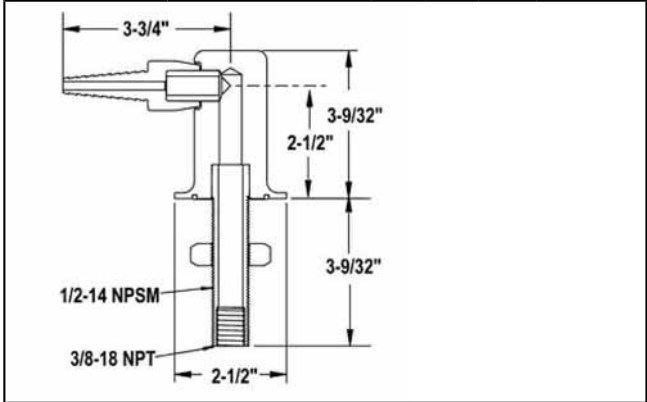
Lab Fixtures



| Part Number | Size | Std Pk | Mstr Ctn | Disc Code | Price Each |
|-------------|------|--------|----------|-----------|------------|
|-------------|------|--------|----------|-----------|------------|

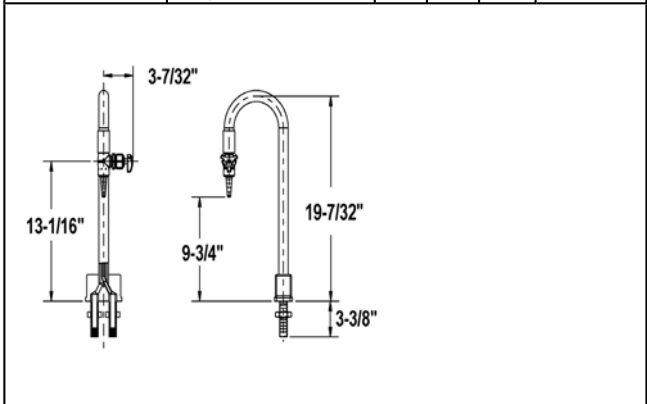
Remote Valve Units (No Valve) - Deck Mount Turret - Base with Serrated Tip

| | | | | | |
|---------|------|---|---|-----|-------|
| LF300 | PVC | 0 | 0 | 218 | 38.17 |
| LF300-C | CPVC | 0 | 0 | 219 | 47.72 |



Recirculating Units - Recirculating Deck Mount Lab Fixture - Base with Gooseneck, Valve & Serrated Tip with Needle Valve

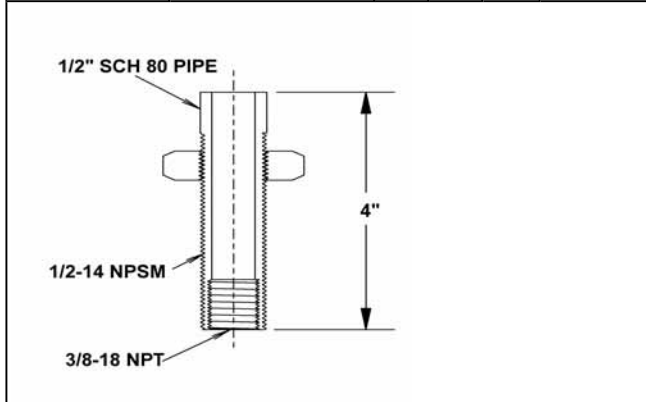
| | | | | | |
|-------------|-----------------|---|---|-----|--------|
| LFR1000-N | PVC, PTFE Seal | 1 | 0 | 218 | 294.12 |
| LFR1000-CN | CPVC, PTFE Seal | 1 | 0 | 219 | 439.57 |
| LFR1000-BLN | LXT, PTFE Seal | 1 | 0 | 066 | 700.16 |



| Part Number | Size | Std Pk | Mstr Ctn | Disc Code | Price Each |
|-------------|------|--------|----------|-----------|------------|
|-------------|------|--------|----------|-----------|------------|

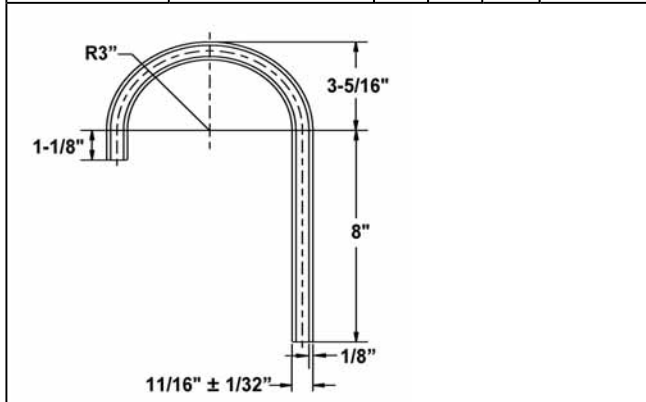
Accessory/Replacement - Fixture Connection Nipple - (included on all fixtures above) with Locknut

| | | | | | |
|----------|------|---|---|-----|-------|
| LF500 | PVC | 0 | 0 | 218 | 19.17 |
| LF500-C | CPVC | 0 | 0 | 219 | 23.97 |
| LF500-BL | LXT | 0 | 0 | 066 | 38.20 |



Accessory/Replacement - Gooseneck (3/8")

| | | | | | |
|---------|------|---|---|-----|-------|
| LFGN | PVC | 1 | 0 | 218 | 16.29 |
| LFGN-C | CPVC | 0 | 0 | 219 | 20.39 |
| LFGN-BL | LXT | 0 | 0 | 066 | 32.47 |



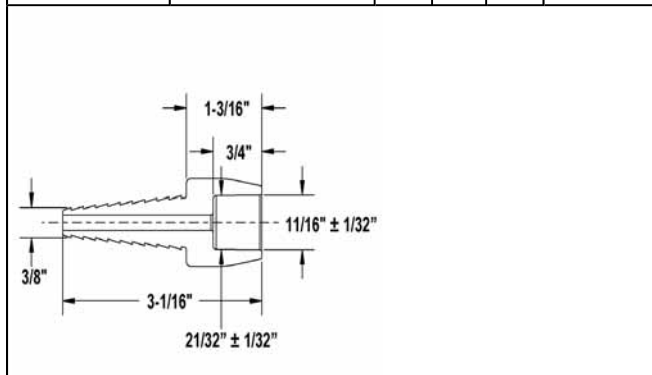


Lab Fixtures

| Part Number | Size | Std Pk | Mstr Ctn | Disc Code | Price Each |
|-------------|------|--------|----------|-----------|------------|
|-------------|------|--------|----------|-----------|------------|

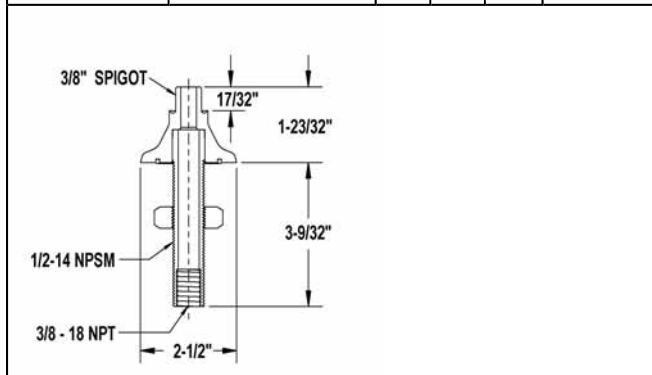
Accessory/Replacement - Straight Serrated Tip

| | | | | | |
|----------|------|-----|---|-----|------|
| LF400 | PVC | 600 | 0 | 218 | 3.45 |
| LF400-C | CPVC | 600 | 0 | 219 | 4.33 |
| LF400-BL | LXT | 600 | 0 | 066 | 6.87 |



Accessory/Replacement - Base Deck Mount

| | | | | | |
|--------|------|---|---|-----|------|
| LFB | PVC | 0 | 0 | 218 | 7.03 |
| LFB-C | CPVC | 0 | 0 | 219 | 8.39 |
| LFB-BL | LXT | 0 | 0 | 066 | 4.80 |





CONTENT

PRODUCTS

| | |
|--|----------|
| Standard Gooseneck Units - Deck Mount Lab Fixture - Base with Valve, Gooseneck & Serrated Tip with Needle Valve-Metered Flow | 2 |
| Standard Gooseneck Units - Deck Mount Lab Fixture - with Ball Valve Direct Flow | 2 |
| Standard Gooseneck Units - Panel Mount Lab Fixture - Base with Valve, Gooseneck & Serrated Tip with Needle Valve-Metered Flow | 2 |
| Standard Gooseneck Units - Panel Mount Lab Fixture - with Ball Valve-Direct Flow | 2 |
| Standard Turret Units - Deck Mount Turret Lab Fixtures Base - with Valve & Serrated Tip with Ball Valve-Direct Flow | 3 |
| Standard Turret Units - Panel Mount Turret Lab Fixture Base - with Valve & Serrated Tip with Ball Valve-Direct Flow | 3 |
| Remote Valve Units (No Valve) - Deck Mount Gooseneck - Base with Gooseneck & Serrated Tip | 3 |
| Remote Valve Units (No Valve) - Panel Mount Gooseneck - Base with Gooseneck & Serrated Tip | 3 |
| Remote Valve Units (No Valve) - Deck Mount Turret - Base with Serrated Tip | 4 |
| Recirculating Units - Recirculating Deck Mount Lab Fixture - Base with Gooseneck, Valve & Serrated Tip with Needle Valve | 4 |
| Accessory/Replacement - Fixture Connection Nipple - (included on all fixtures above) with Locknut | 4 |
| Accessory/Replacement - Gooseneck (3/8") | 4 |
| Accessory/Replacement - Straight Serrated Tip | 5 |
| Accessory/Replacement - Base Deck Mount | 5 |

The Spears® Quality Policy

It is the policy and objective of Spears® Manufacturing Company to produce a superior quality product suitable for its intended use, with regard to functionality, structural integrity, and conformance to established industry standards and practices. It is the commitment of this Company to do so in a manner which provides consistency of product quality, optimum availability, and superior customer service, while maintaining efficiency of operations and profitability necessary to perpetuate product improvement and customer satisfaction. Furthermore, it is recognized that the attainment of these objectives is the responsibility of all Company operations and personnel according to their respective functions.



SPEARS® MANUFACTURING COMPANY • CORPORATE OFFICE

15853 Olden St., Sylmar, CA 91342 • PO Box 9203, Sylmar, CA 91392
(818) 364-1611 • www.spearsmfg.com



PACIFIC SOUTHWEST

15860 Olden St.
Sylmar (Los Angeles), CA 91342
(818) 364-1611 • (800) 862-1499
Fax (818) 367-3014

ROCKY MOUNTAIN

4880 Florence St.
Denver, CO 80238
(303) 371-9430 • (800) 777-4154
Fax (303) 375-9546

UTAH

5395 West 1520 South
Salt Lake City, UT 84104
(303) 371-9430 • (800) 777-4154
Fax (303) 375-9546

SOUTHEAST

4205 Newpoint Pl., Suite 100
Lawrenceville (Atlanta), GA 30043
(678) 985-1263 • (800) 662-6326
Fax (678) 985-5642

MIDWEST

1 Gateway Ct., Suite A
Bolingbrook (Chicago), IL 60440
(630) 759-7529 • (800) 662-6330
Fax (630) 759-7515

NORTHWEST

4103 C St. NE Suite 200
Auburn (Seattle), WA 98002
(253) 939-4433 • (800) 347-7327
Fax (253) 939-7557

SOUTH CENTRAL

1000 Lakeside Parkway
Flower Mound, TX 75028
(469) 469-3000 • (800) 441-1437
Fax (469) 469-3001

NORTHEAST

590 Industrial Dr., Suite 100
Lewisberry (Harrisburg), PA 17339-9532
(717) 938-8844 • (800) 233-0275
Fax (717) 938-6547

FLORIDA

9563 Parksouth Court
Orlando, FL 32837
(407) 843-1960 • (800) 327-6390
Fax (407) 425-3563

INTERNATIONAL SALES

15853 Olden St.
Sylmar (Los Angeles), CA 91342
(818) 364-1611 • Fax (818) 898-3774