

Discount Code(s): 030 Swing Joint Riser Assemblies _____
901 Miscellaneous Components _____

Item prices may have changed from those shown in this sheet. See Spears® On-line Catalog for most current pricing, updated daily.



Turf Swivel Joints



Quality Systems Certificate No. 293
Corporate Facilities, Sylmar, CA
Assessed to ISO 9001: 2008

Visit our web site:
www.spearsmfg.com

PRICE SCHEDULE TSJ-1-1009
Effective October 26, 2009
Supersedes TSJ-1-0308



Turf Swivel Kits

3-El El Swivel Joint Kits

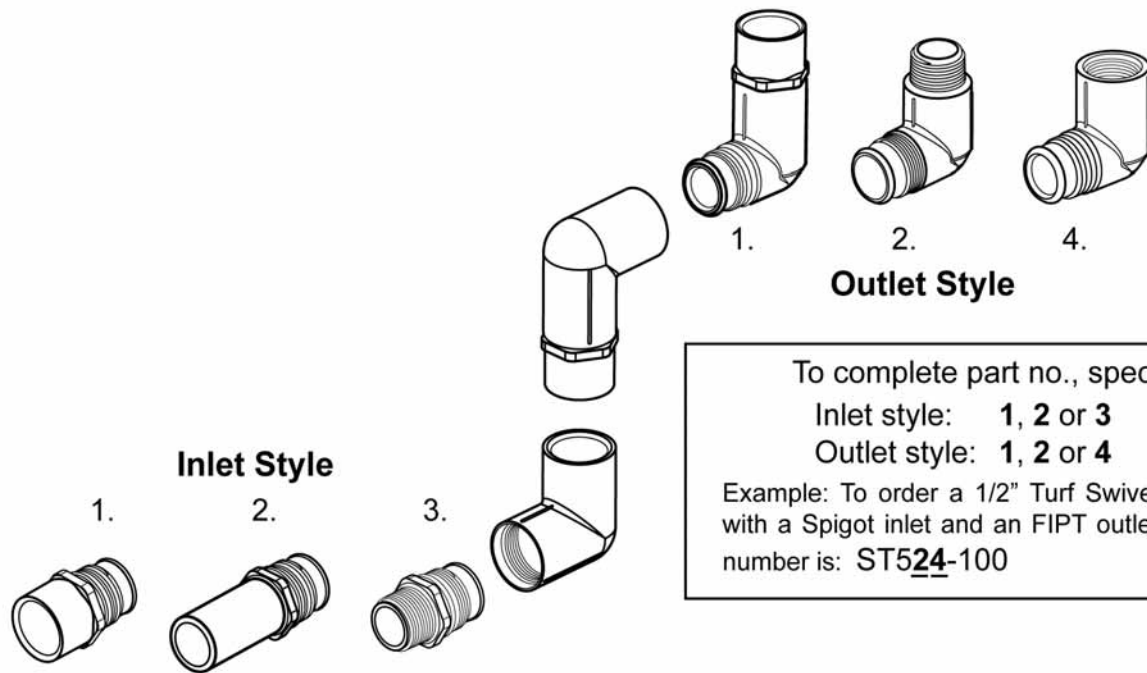
Complete kit for field assembly with any length of user supplied pipe. Kit includes upper and lower Elbow assemblies with choice of the following Inlet & Outlet Options:

Inlet Code:

- 1 = Socket
- 2 = Spigot
- 3 = Mipt

Outlet Code:

- 1 = Socket
- 2 = Mipt
- 4 = Fipt



To complete part no., specify:
 Inlet style: **1, 2 or 3**
 Outlet style: **1, 2 or 4**
 Example: To order a 1/2" Turf Swivel Joint Kit with a Spigot inlet and an FIPT outlet, the part number is: **ST524-100**

Turf Swivel Joint Kit

Part Number	Size	Std Pk	Mstr Ctn	Disc Code	Price Each
3-El El Swivel Joint Kits					
ST5_-100	1/2	10	0	030	17.51
ST7_-100	3/4	10	0	030	19.77
ST9_-100	1	10	0	030	23.01

NOT FOR USE WITH COMPRESSED AIR OR GAS

Spears® Manufacturing Company

Turf Swivel Kits

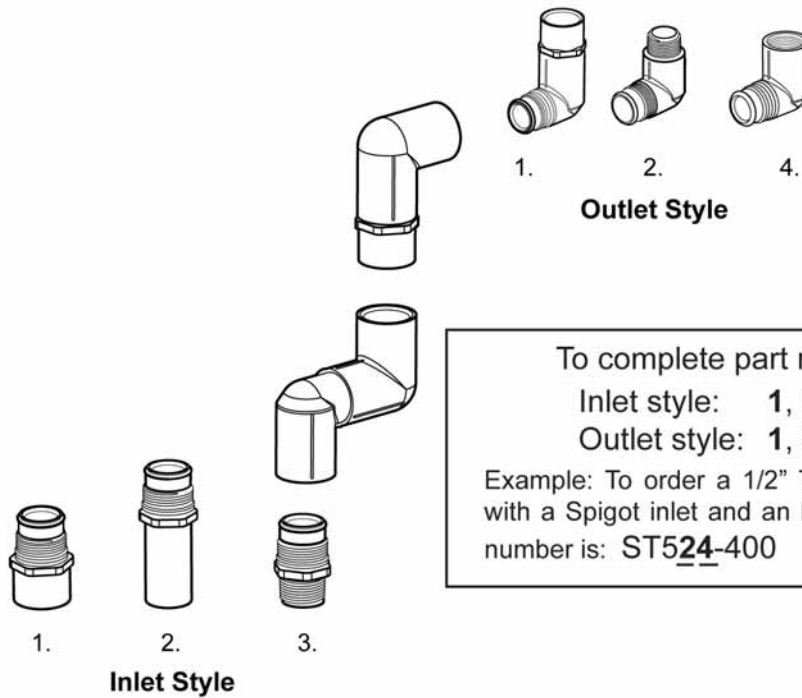


4-Elb Swivel Joint Kits

Complete kit for field assembly with any length of user supplied pipe. Kit includes upper and lower Elbow assemblies with choice of the following Inlet & Outlet Options:

- Inlet Code:**
 1 = Socket
 2 = Spigot
 3 = Mipt

- Outlet Code:**
 1 = Socket
 2 = Mipt
 4 = Fipt



To complete part no., specify:
 Inlet style: **1, 2 or 3**
 Outlet style: **1, 2 or 4**
 Example: To order a 1/2" Turf Swivel Joint Kit with a Spigot inlet and an FIPT outlet, the part number is: ST524-400

Turf Swivel Joint Kit

Part Number	Size	Std Pk	Mstr Ctn	Disc Code	Price Each
4-Elb Swivel Joint Kits					
ST5__-400	1/2	10	0	030	18.59
ST7__-400	3/4	10	0	030	20.88
ST9__-400	1	10	0	030	25.19



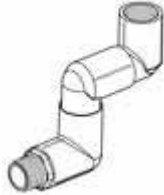
Compact Turf Swivel Joints

Factory Assembled
All Inlets are Swivel Male Threads

Three Outlet Choices:

- Series ST11 & ST41 = Female Pipe Threads**
- Series ST12 & ST42 = Swivel Male Pipe Threads**
- Series ST13 & ST43 = Male Pipe Threads**

Also available in 1" MBSP inlet x 1" MBSP outlet. Contact Spears® for pricing and availability.



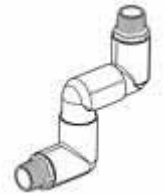
3-Elbow Compact Swivel Joints

Part Number	Size	Std Pk	Mstr Ctn	Disc Code	Price Each
Swivel Mipt x Fipt					
ST1105	1/2	10	0	030	17.51
ST1107	3/4	10	0	030	19.77
ST1110	1	10	0	030	23.02



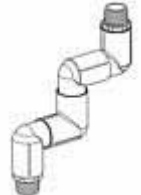
4-Elbow Compact Swivel Joints

Part Number	Size	Std Pk	Mstr Ctn	Disc Code	Price Each
Swivel Mipt x Fipt					
ST4105	1/2	10	0	030	18.59
ST4107	3/4	10	0	030	20.88
ST4110	1	10	0	030	25.19



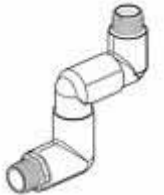
3-Elbow Compact Swivel Joints

Part Number	Size	Std Pk	Mstr Ctn	Disc Code	Price Each
Swivel Mipt x Swivel Mipt					
ST1205	1/2	10	0	030	17.51
ST1207	3/4	10	0	030	19.77
ST1210	1	10	0	030	23.02



4-Elbow Compact Swivel Joints

Part Number	Size	Std Pk	Mstr Ctn	Disc Code	Price Each
Swivel Mipt x Swivel Mipt					
ST4205	1/2	10	0	030	18.59
ST4207	3/4	10	0	030	20.88
ST4210	1	1	10	030	25.19



3-Elbow Compact Swivel Joints

Part Number	Size	Std Pk	Mstr Ctn	Disc Code	Price Each
Swivel Mipt x Mipt					
ST1305	1/2	10	0	030	17.51
ST1307	3/4	10	0	030	19.77
ST1310	1	10	0	030	23.02



4-Elbow Compact Swivel Joints

Part Number	Size	Std Pk	Mstr Ctn	Disc Code	Price Each
Swivel Mipt x Mipt					
ST4305	1/2	10	0	030	18.59
ST4307	3/4	10	0	030	20.88
ST4310	1	10	0	030	25.19

NOT FOR USE WITH COMPRESSED AIR OR GAS

Turf Swivel Joints



Complete Factory Assembly. Available in sizes 1/2", 3/4" and 1" with the following Lay Length Options:

8" = 8L
12" = 12L
15" = 15L
19" = 19L

Choice of the following Inlet & Outlet Options:

Inlet Code
1 = Socket
2 = Spigot
3 = Mipt

Outlet Code
1 = Socket
2 = Mipt
4 = Fipt

To complete part no., specify:
Inlet style: 1, 2, or 3
Outlet style: 1, 2, or 4

Example: To order a 1/2" 3-ElI Turf Swivel Joint with an 8" lay length, a Spigot inlet and an FIPT outlet, the part number is: ST524-208

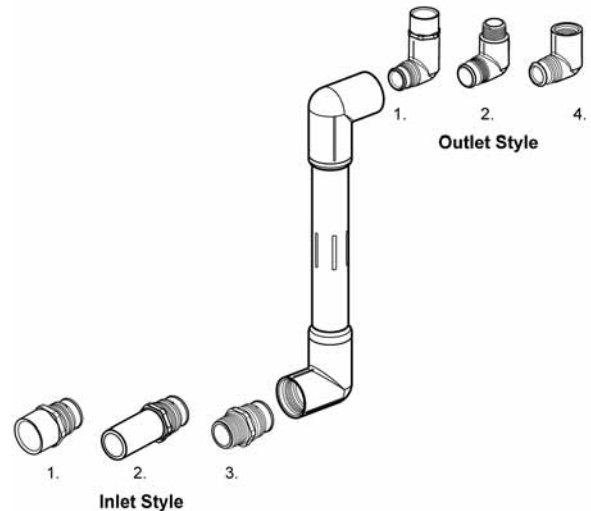
Turf Swivel Joints

Part Number	Size	Std Pk	Mstr Ctn	Disc Code	Price Each
3-ElI Turf Swivel Joints					
ST5_-208	1/2X8L	10	0	030	27.45
ST5_-212	1/2X12L	10	0	030	27.78
ST5_-215	1/2X15L	10	0	030	28.63
ST5_-219	1/2X19L	10	0	030	29.55
ST7_-208	3/4X8L	10	0	030	29.59
ST7_-212	3/4X12L	10	0	030	30.99
ST7_-215	3/4X15L	10	0	030	31.59
ST7_-219	3/4X19L	10	0	030	32.35
ST9_-208	1X8L	10	0	030	32.59
ST9_-212	1X12L	10	0	030	33.61
ST9_-215	1X15L	10	0	030	34.49
ST9_-219	1X19L	10	0	030	35.67
ST57_-208	1/2X3/4X8L	10	0	030	27.45
ST57_-212	1/2X3/4X12L	10	0	030	27.78
ST57_-215	1/2X3/4X15L	10	0	030	28.63
ST57_-219	1/2X3/4X19L	10	0	030	29.55
ST75_-208	3/4X1/2X8L	10	0	030	29.59
ST75_-212	3/4X1/2X12L	10	0	030	30.99
ST75_-215	3/4X1/2X15L	10	0	030	31.59
ST75_-219	3/4X1/2X19L	10	0	030	32.35

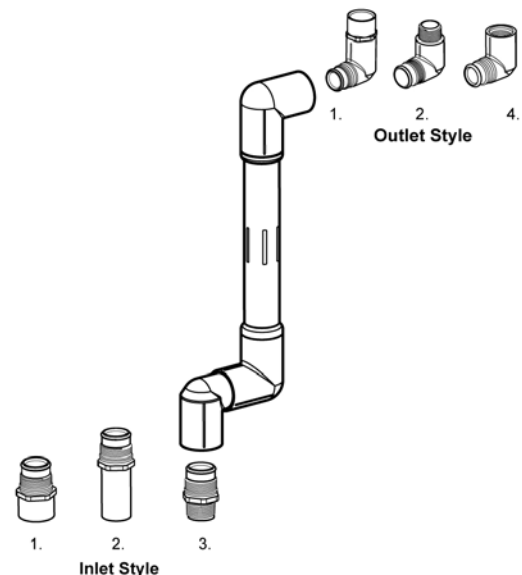
4-ElI Turf Swivel Joints

ST5_-408	1/2X8L	10	0	030	28.04
ST5_-412	1/2X12L	10	0	030	28.37
ST5_-415	1/2X15L	10	0	030	29.16
ST5_-419	1/2X19L	10	0	030	30.01
ST7_-408	3/4X8L	10	0	030	30.18
ST7_-412	3/4X12L	10	0	030	31.52
ST7_-415	3/4X15L	10	0	030	32.12
ST7_-419	3/4X19L	10	0	030	32.81
ST9_-408	1X8L	10	0	030	34.28
ST9_-412	1X12L	10	0	030	35.23
ST9_-415	1X15L	10	0	030	36.09
ST9_-419	1X19L	10	0	030	37.21
ST57_-408	1/2X3/4X8L	10	0	030	28.04
ST57_-412	1/2X3/4X12L	10	0	030	28.37
ST57_-415	1/2X3/4X15L	10	0	030	29.16
ST57_-419	1/2X3/4X19L	10	0	030	30.01
ST75_-408	3/4X1/2X8L	10	0	030	30.18
ST75_-412	3/4X1/2X12L	10	0	030	31.52
ST75_-415	3/4X1/2X15L	10	0	030	32.12
ST75_-419	3/4X1/2X19L	10	0	030	32.81

3-ElI Turf Swivel Joint



4-ElI Turf Swivel Joint



NOT FOR USE WITH COMPRESSED AIR OR GAS

Made in the U.S.A.

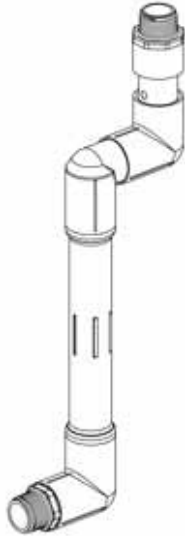
Progressive Products from Spears® Innovation and Technology

Page 4



Pressure Regulated Swivel Joints

3-ElI Pressure Regulated Swivel Joint



4-ElI Pressure Regulated Swivel Joint



Pressure Regulated Swivel Joints

Part Number	Size	Std Pk	Mstr Ctn	Disc Code	Price Each
-------------	------	--------	----------	-----------	------------

3-ElI - Mipt x Mipt

ST73PR-208	3/4X8L	10	0	030	54.81
ST73PR-212	3/4X12L	10	0	030	56.31
ST73PR-215	3/4X15L	10	0	030	56.95
ST73PR-219	3/4X19L	0	0	030	57.73
ST93PR-208	1X8L	0	0	030	59.26
ST93PR-212	1X12L	10	0	030	60.34
ST93PR-215	1X15L	10	0	030	61.28
ST93PR-219	1X19L	0	0	030	62.53

4-ElI - Mipt x Mipt

ST73PR-408	3/4X8L	0	0	030	57.85
ST73PR-412	3/4X12L	0	0	030	59.36
ST73PR-415	3/4X15L	10	0	030	59.99
ST73PR-419	3/4X19L	0	0	030	60.78
ST93PR-408	1X8L	10	0	030	64.12
ST93PR-412	1X12L	10	0	030	65.19
ST93PR-415	1X115L	10	0	030	66.13
ST93PR-419	1X19L	0	0	030	67.37

Complete Factory Assembly. Available in sizes 3/4" and 1" with Mipt Inlet x Mipt Outlet and the following Lay Length Options:

- 8" = 8L
- 12" = 12L
- 15" = 15L
- 19" = 19L

Maintains constant, uniform pressure to sprinkler at the following pre-set nominal values:

45 psi for 3/4" Turf Swivel Joint

70 psi for 1" Turf Swivel Joint

Not recommended for use in systems with pressures equal to or less than regulated pressures above.

Pressure Rating @ 73°F (23°C), Water

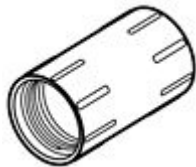
315 psi

NOT FOR USE WITH COMPRESSED AIR OR GAS

Spears® Manufacturing Company

Progressive Products from Spears® Innovation and Technology

Replacement Parts



Coupling

Part Number	Size	Std Pk	Mstr Ctn	Disc Code	Price Each
FAT x FAT					
ST430-007	3/4	1	200	030	5.78
ST430-010	1	1	250	030	7.68



90° Street El

Part Number	Size	Std Pk	Mstr Ctn	Disc Code	Price Each
MAT x FAT					
ST425-005	1/2	200	0	030	4.86
ST425-007	3/4	1	300	030	5.19
ST425-010	1	1	200	030	7.22



90° Elbow

Part Number	Size	Std Pk	Mstr Ctn	Disc Code	Price Each
FAT x FAT					
ST1101-005	1/2	1	300	030	3.34
ST1101-007	3/4	250	0	030	3.85
ST1101-101	3/4X1/2	270	0	030	3.52
ST1101-010	1	150	0	030	6.35



Socket Inlet #1

Part Number	Size	Std Pk	Mstr Ctn	Disc Code	Price Each
SOC x MAT					
ST436-005	1/2	350	0	030	3.12
ST436-007	3/4	50	0	030	3.45
ST436-010	1	330	0	030	6.47



90° Elbow

Part Number	Size	Std Pk	Mstr Ctn	Disc Code	Price Each
FAT x SOC					
ST1102-005	1/2	350	0	030	3.34
ST1102-007	3/4	250	0	030	3.85
ST1102-010	1	1	160	030	6.35



Spigot Inlet #2

Part Number	Size	Std Pk	Mstr Ctn	Disc Code	Price Each
SPG x MAT					
ST105-035	1/2	350	0	030	3.32
ST107-035	3/4	50	0	030	3.71
ST110-040	1	140	0	030	6.77



Replacement Parts



Male Thread Inlet #3

Part Number	Size	Std Pk	Mstr Ctn	Disc Code	Price Each
Mipt x MAT					
ST205-020	1/2	1	500	030	2.94
ST207-020	3/4	350	0	030	3.45
ST210-020	1	150	0	030	3.74



Female Thread Outlet #4

Part Number	Size	Std Pk	Mstr Ctn	Disc Code	Price Each
MAT x Fipt					
ST412-005	1/2	250	0	030	4.86
ST412-007	3/4	1	300	030	5.19
ST412-010	1	200	0	030	7.22



Socket Outlet #1

Part Number	Size	Std Pk	Mstr Ctn	Disc Code	Price Each
MAT x SOC					
ST410-005	1/2	50	0	030	6.63
ST410-007	3/4	1	200	030	7.26
ST410-010	1	1	25	030	7.60



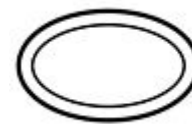
Molded Nipples

Part Number	Size	Std Pk	Mstr Ctn	Disc Code	Price Each
MAT x MAT					
ST207-065	3/4X6-1/2	1	200	030	6.87
ST207-105	3/4X10-1/2	1	115	030	15.83
ST210-065	1X6-1/2	1	120	030	8.84
ST210-105	1X10-1/2	1	25	030	20.93



Male Thread Outlet #2

Part Number	Size	Std Pk	Mstr Ctn	Disc Code	Price Each
MAT x Mipt					
ST408-005	1/2	1	250	030	4.86
ST408-007	3/4	1	25	030	5.19
ST408-010	1	1	150	030	7.68



O-ring Seal

Part Number	Size	Std Pk	Mstr Ctn	Disc Code	Price Each
B-113	1/2	100	0	901	.07
B-115	3/4	100	0	901	.07
B-120	1	100	0	901	.17

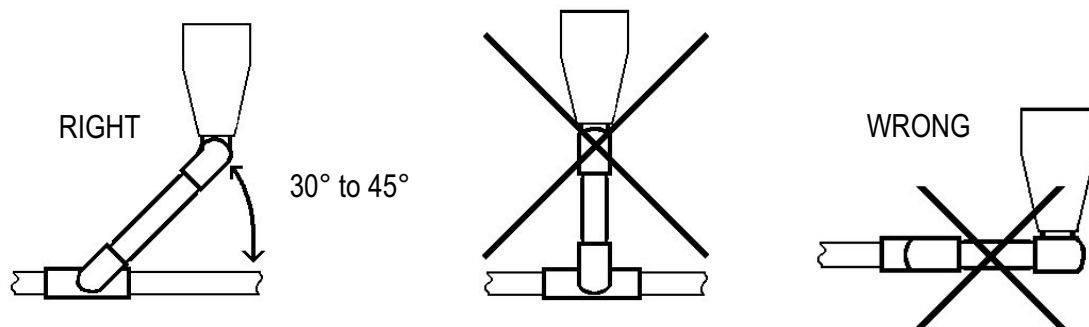
NOT FOR USE WITH COMPRESSED AIR OR GAS

General Installation Information



Turf Swivel Joints, Compact Turf Swivel Joints and Turf Swivel Joint Kits are designed for open discharge systems and are not to be used with valve-in-head sprinklers or quick coupler valves. Can be used with bottom or side sprinklers. Provides 360° adjustment in three planes to place sprinklers at desired locations.

Turf Swivel Joint Assemblies should NOT be installed perpendicular or parallel to the supply line.



Turf Swivel Joint and Compact Turf Swivel Joints are pre-assembled from the factory with O-ring threaded joints. Turf Swivel Joint Kits are provided as two assemblies for use with user supplied pipe in solvent welded field assembly. These joints are pre-lubricated and should not be disassembled, as dirt, sand or other foreign objects could damage the O-ring or threads and cause leakage.

Prior to beginning installation, tighten each O-ring thread joint completely, and then back out the male part one full turn to allow the joint to swivel a full 360°.



Turf Swivel Joints

CONTENT

Turf Swivel Kits	
Turf Swivel Joint Kit 3-El Swivel Joint Kits	1
Turf Swivel Joint Kit 4-El Swivel Joint Kits	2
Compact Turf Swivel Joints	
3-El Compact Swivel Joints Swivel Mipt x Fipt	3
3-El Compact Swivel Joints Swivel Mipt x Swivel Mipt	3
3-El Compact Swivel Joints Swivel Mipt x Mipt	3
4-El Compact Swivel Joints Swivel Mipt x Fipt	3
4-El Compact Swivel Joints Swivel Mipt x Swivel Mipt	3
4-El Compact Swivel Joints Swivel Mipt x Mipt	3
Turf Swivel Joints	
Turf Swivel Joints 3-El Turf Swivel Joints	4
Turf Swivel Joints 4-El Turf Swivel Joints	4
Pressure Regulated Swivel Joints	
Pressure Regulated Swivel Joints 3-El - Mipt x Mipt	5
Pressure Regulated Swivel Joints 4-El - Mipt x Mipt	5
Replacement Parts	
Coupling FAT x FAT	6
90° Elbow FAT x FAT	6
90° Elbow FAT x SOC	6
90° Street El MAT x FAT	6
Socket Inlet #1 SOC x MAT	6
Spigot Inlet #2 SPG x MAT	6
Male Thread Inlet #3 Mipt x MAT	7
Socket Outlet #1 MAT x SOC	7
Male Thread Outlet #2 MAT x Mipt	7
Female Thread Outlet #4 MAT x Fipt	7
Molded Nipples MAT x MAT	7
O-ring Seal	7
General Installation Information	
General Installation Information	8

NOTES

NOTES

NOTES

NOTES

NOTES



SPEARS® MANUFACTURING COMPANY • CORPORATE OFFICE

15853 Olden St., Sylmar, CA 91342 • PO Box 9203, Sylmar, CA 91392
(818) 364-1611 • www.spearsmfg.com

PACIFIC SOUTHWEST

15860 Olden St.
Sylmar (Los Angeles), CA 91342
(818) 364-1611 • (800) 862-1499
Fax (818) 367-3014

ROCKY MOUNTAIN

4880 Florence St.
Denver, CO 80238
(303) 371-9430 • (800) 777-4154
Fax (303) 375-9546

UTAH

5395 West 1520 South
Salt Lake City, UT 84104
(303) 371-9430 • (800) 777-4154
Fax (303) 375-9546

SOUTHEAST

4205 Newpoint Pl., Suite 100
Lawrenceville (Atlanta), GA 30043
(678) 985-1263 • (800) 662-6326
Fax (678) 985-5642

MIDWEST

1 Gateway Ct., Suite A
Bolingbrook (Chicago), IL 60440
(630) 759-7529 • (800) 662-6330
Fax (630) 759-7515

NORTHWEST

4103 C St. NE Suite 200
Auburn (Seattle), WA 98002
(253) 939-4433 • (800) 347-7327
Fax (253) 939-7557

SOUTH CENTRAL

1000 Lakeside Parkway
Flower Mound, TX 75028
(469) 528-3000 • (800) 441-1437
Fax (469) 528-3001

NORTHEAST

590 Industrial Dr., Suite 100
Lewisberry (Harrisburg), PA 17339-9532
(717) 938-8844 • (800) 233-0275
Fax (717) 938-6547

FLORIDA

9563 Parksouth Court
Orlando, FL 32837
(407) 843-1960 • (800) 327-6390
Fax (407) 425-3563

INTERNATIONAL SALES

15853 Olden St.
Sylmar (Los Angeles), CA 91342
(818) 364-1611 • Fax (818) 898-3774