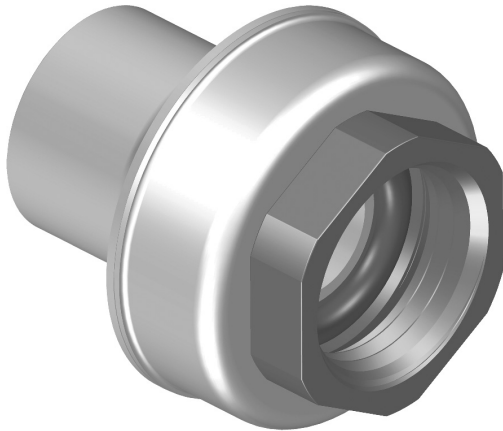


NEW PRODUCTS

CTS-1B-0211

Gasket Sealed CTS CPVC Brass-Threaded Transition Fittings



- Eliminates Radial Stress
- Requires NO Thread Sealants
- Eliminates Sealant Incompatibility
- NSF® Certified Lead-Free

Spears® Gasket Sealed CTS CPVC Brass-Threaded Transition Fitting design features a special molded-in-place Brass Thread Insert fitted with an elastomer gasket seal at the base of the threads. The gasket sealed design eliminates radial stress and requires no thread sealant. Excellent for transitions to metal piping systems or components.

No Sealant = No More Problem!

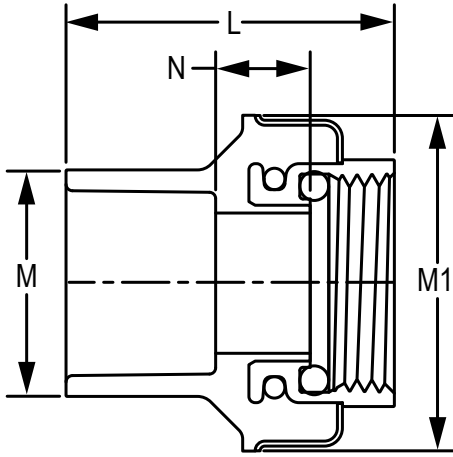
Using incompatible thread pastes and pipe dopes is the major cause of environmental stress cracking in plastics. Tape sealants are far too frequently improperly or excessively applied. These problems are fully eliminated!

NSF® Annex G Certified Lead-Free Design

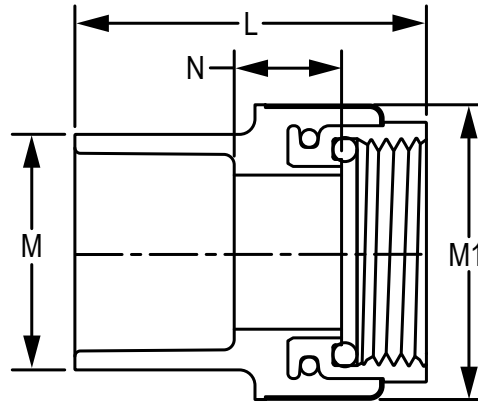
Spears® Lead-Free Gasket Sealed CTS CPVC Brass-Threaded fittings are NSF® Certified in accordance with NSF/ANSI 61, Annex G for compliance with California's Health & Safety Code Section 116875 (commonly known as AB1953) and Vermont Act 193.

For Superior Transition Performance, See Spears® Lead-Free, Metal-Free CTS CPVC Special Reinforced (SR) Female Plastic Thread Adapters – Fully Eliminates Corrosion!

Part Number	Size	Std Pk	Mstr Ctn	Disc Code	Price Each
Gasket Sealed Brass Female Adapter Socket x Gasket FIPT With Elastomer Seal - Use NO Thread Sealant					
4135-005BRG	1/2	25	150	035	38.20
4135-101BRG	3/4 x 1/2	25	150	035	41.58
4135-130BRG	1 x 1/2	50	0	035	65.69
4135-007BRG	3/4	25	150	035	42.07
4135-010BRG	1	15	90	035	125.49
4135-012BRG	1-1/4	15	60	035	238.42
4135-015BRG	1-1/2	10	40	035	310.76
4135-020BRG	2	8	32	035	456.90



STYLE 1



STYLE 2

Part Number	Size	L	M	M1	N	Style
4135-005BRG	1/2	1-1/2	27/32	1-7/16	9/16	1
4135-101BRG	3/4 x 1/2	1-9/16	1-3/32	1-7/16	7/16	1
4135-130BRG	1 x 1/2	1-3/4	1-11/32	1-7/16	13/32	1
4135-007BRG	3/4	1-9/16	1-3/32	1-5/8	15/32	1
4135-010BRG	1	2	1-3/8	1-11/16	5/8	2
4135-012BRG	1-1/4	2-1/4	1-11/16	2-1/16	9/16	2
4135-015BRG	1-1/2	2-7/16	1-15/16	2-7/16	5/8	2
4135-020BRG	2	2-13/16	2-9/16	3	9/16	2

Prices subject to change without notice. Possession of this price schedule shall not be construed as an offer to sell the products listed.
Product drawing(s) & photo(s) are representative and may not fully reflect product configuration.

Progressive Products From Spears® Innovation & Technology



SPEARS® MANUFACTURING COMPANY

Corporate Office
15853 Olden Street • Sylmar, CA 91342
PO Box 9203 • Sylmar, CA 91392
(818) 364-1611 • <http://www.spearsmfg.com>

