

NEW PRODUCTS

V-1A-0611

CWV PVC Ball Valves

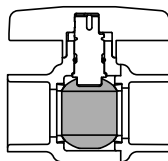
*A Combination of Economy & Quality - Made in the U.S.A.
For Greater Value in a General Purpose Cold Water Valve*



You don't have to go overseas to find an economical general purpose ball valve! Spears® CWV BALL VALVES are produced in the U.S.A. with Spears® high quality construction and NSF® Certified for potable water service. Designed for use with cold water, these PVC valves may be suitable for some applications previously handled by Spears® Utility Valves. Available in IPS sizes 1/2" through 2" with a Full 1-Year Warranty.

Part Number	Size	Std Pk	Mstr Ctn	Disc Code	Price Each
-------------	------	--------	----------	-----------	------------

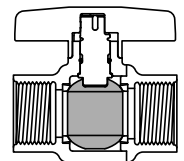
**CWV PVC Ball Valve
Socket**



8722-005	1/2	50	0	204	8.01
8722-007	3/4	25	0	204	9.50
8722-010	1	25	0	204	12.92
8722-012	1-1/4	20	0	204	17.13
8722-015	1-1/2	20	0	204	26.14
8722-020	2	10	0	204	33.04

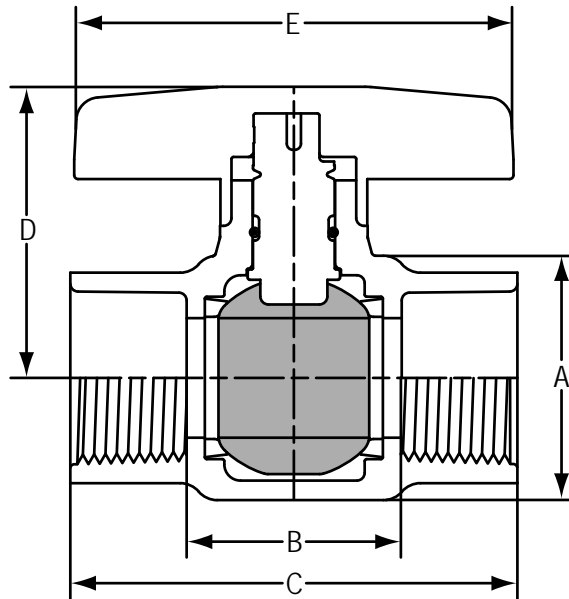
Part Number	Size	Std Pk	Mstr Ctn	Disc Code	Price Each
-------------	------	--------	----------	-----------	------------

**CWV PVC Ball Valve
Threaded**



8721-005	1/2	50	0	204	9.89
8721-007	3/4	25	0	204	11.73
8721-010	1	25	0	204	15.96
8721-012	1-1/4	20	0	204	21.14
8721-015	1-1/2	20	0	204	32.27
8721-020	2	10	0	204	40.79

Dimensions



Size	A	B		C	D	E
		Socket	Threaded			
1/2	1-5/16	1-7/32	1-7/32	2-5/8	1-9/16	2-5/8
3/4	1-5/8	1-15/32	1-7/16	2-15/16	1-15/16	2-7/8
1	1-7/8	1-5/8	1-5/8	3-7/16	2-1/4	3-3/8
1-1/4	2-3/8	2	2	3-7/8	2-3/4	3-7/8
1-1/2	2-3/4	2-7/16	2-3/4	4-5/8	3-1/8	4-1/2
2	3-11/32	2-25/32	2-25/32	5-1/8	3-23/32	4-31/32

Prices subject to change without notice. Possession of this price schedule shall not be construed as an offer to sell the products listed.
Product drawing(s) & photo(s) are representative and may not fully reflect product configuration.

Progressive Products From Spears® Innovation & Technology



SPEARS® MANUFACTURING COMPANY

Corporate Office

15853 Olden Street • Sylmar, CA 91342

PO Box 9203 • Sylmar, CA 91392

(818) 364-1611 • <http://www.spearsmfg.com>

