



Turf & Irrigation EverTUFF® TURF™ Mechanical Clamp-on Transition Saddles

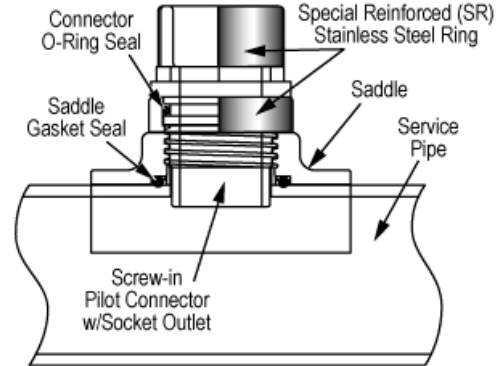
Designed for HDPE-to-PVC pipe transition to provide HDPE mainline take-off for PVC irrigation laterals and irrigation extensions, but fully suitable for any IPS pipe (metal or plastic) transition to PVC. Eliminates costly and cumbersome HDPE fusion process, which is generally cost prohibitive. Depending on the region and location, it has been found that the installed cost of HDPE laterals can be 25% higher than PVC laterals!

Pilot on lateral connector prevents saddle movement on pipe. Exceptionally strong Special Reinforced (SR) outlet on both Saddle outlet and Pilot Connector socket provide unparalleled strength. Injection molded in distinct blue EverTUFF® PVC proprietary material. Pilot Connectors are replaceable and interchangeable with any size EverTUFF® Mechanical Saddle for greater versatility.

Easy Installation - Clamp saddle to pipe, drill hole, install screw-in Pilot Connector with socket outlet. Available for a variety of mainline sizes and can be easily bushed for reduced lateral take-off sizes or special connections.



- Socket Outlet
- 315 psi Pressure Rating @ 73° F
- Stainless Steel Mechanical Clamp
- Elastomer Gasket & O-ring Seals
- Interchangeable 1-1/2" & 2" Lateral Connector Sizes
- Stainless Steel Reinforcing Rings for Extra Strength



Note: Mechanical Clamp Not Shown

Mechanical Clamp-on Transition Saddles

Part Number	Size	Std Pk	Mstr Ctn	Disc Code	Price Each
-------------	------	--------	----------	-----------	------------

Pipe O.D. x Socket

For Polyethylene (or any IPS pipe, metal or plastic) - To - PVC Transitions

865-419	4X1-1/2	2	0	086	733.37
865-420	4X2	1	0	086	743.42
865-527	6X1-1/2	1	0	086	804.53
865-528	6X2	1	0	086	838.42
865-577	8X1-1/2	1	0	086	941.68
865-578	8X2	1	0	086	978.32