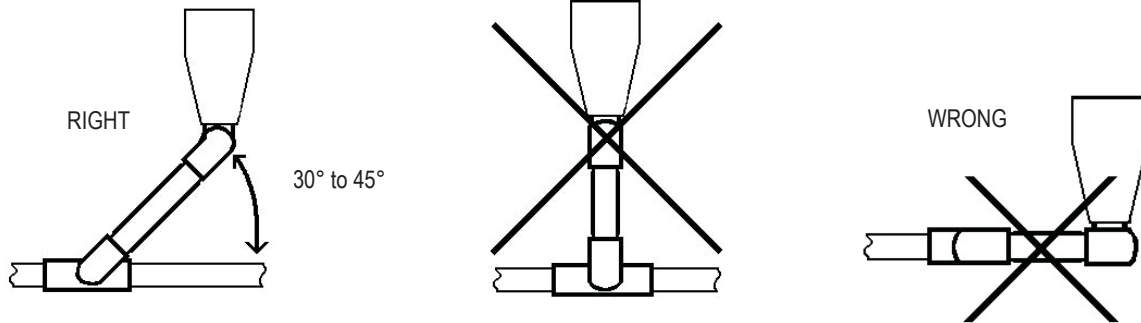


Turf & Irrigation Turf Swivel Joints



Turf Swivel Joints, Compact Turf Swivel Joints and Turf Swivel Joint Kits are designed for open discharge systems and are not to be used with valve-in-head sprinklers or quick coupler valves. Can be used with bottom or side sprinklers. Provides 360° adjustment in three planes to place sprinklers at desired locations.

Turf Swivel Joint Assemblies should NOT be installed perpendicular or parallel to the supply line.



Turf Swivel Joint and Compact Turf Swivel Joints are pre-assembled from the factory with O-ring threaded joints. Turf Swivel Joint Kits are provided as two assemblies for use with user supplied pipe in solvent welded field assembly. These joints are pre-lubricated and should not be disassembled, as dirt, sand or other foreign objects could damage the O-ring or threads and cause leakage.

Prior to beginning installation, tighten each O-ring thread joint completely, and then back out the male part one full turn to allow the joint to swivel a full 360°.



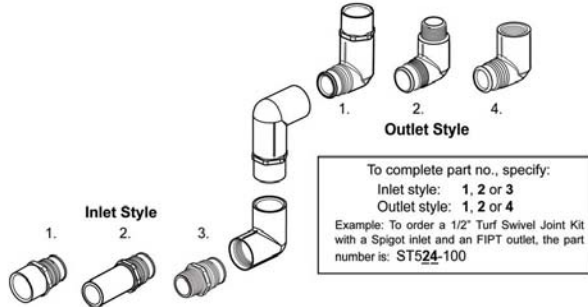
Turf & Irrigation Turf Swivel Kits

3-Elb Swivel Joint Kits

Complete kit for field assembly with any length of user supplied pipe. Kit includes upper and lower Elbow assemblies with choice of the following Inlet & Outlet Options:

Inlet Code:
 1 = Socket
 2 = Spigot
 3 = Mipt

Outlet Code:
 1 = Socket
 2 = Mipt
 4 = Fipt



Turf Swivel Joint Kit

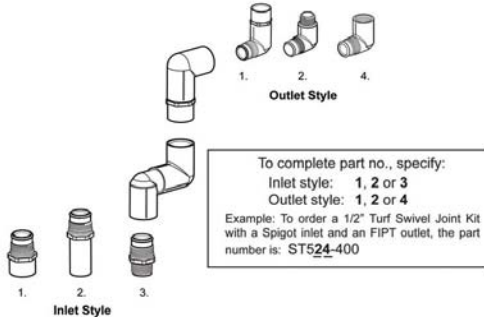
Part Number	Size	Std Pk	Mstr Ctn	Disc Code	Price Each
3-Elb Swivel Joint Kits					
ST5_-100	1/2	10	0	030	19.61
ST7_-100	3/4	10	0	030	22.14
ST9_-100	1	10	0	030	25.77

4-Elb Swivel Joint Kits

Complete kit for field assembly with any length of user supplied pipe. Kit includes upper and lower Elbow assemblies with choice of the following Inlet & Outlet Options:

Inlet Code:
 1 = Socket
 2 = Spigot
 3 = Mipt

Outlet Code:
 1 = Socket
 2 = Mipt
 4 = Fipt



4-Elb Swivel Joint Kits

ST5_-400	1/2	10	0	030	20.82
ST7_-400	3/4	10	0	030	23.38
ST9_-400	1	10	0	030	28.21

Turf & Irrigation Turf Swivel Joints



Complete Factory Assembly. Available in sizes 1/2", 3/4" and 1" with the following Lay Length Options:

- 8" = 8L
- 12" = 12L
- 15" = 15L
- 19" = 19L

Choice of the following Inlet & Outlet Options:

Inlet Code

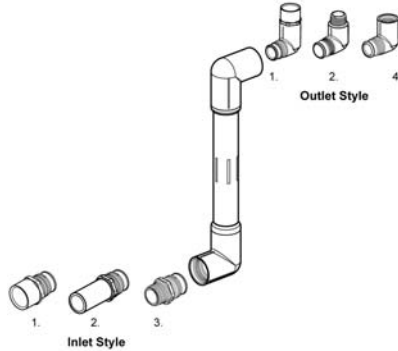
- 1 = Socket
- 2 = Spigot
- 3 = Mipt

Outlet Code

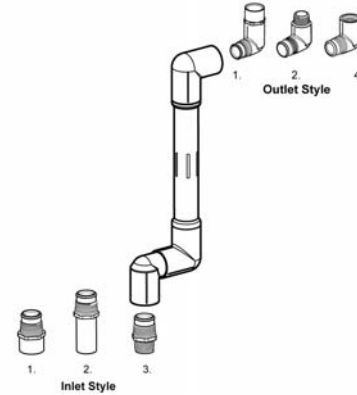
- 1 = Socket
- 2 = Mipt
- 4 = Fipt

To complete part no., specify:
 Inlet style: 1, 2, or 3
 Outlet style: 1, 2, or 4
 Example: To order a 1/2" 3-ElI Turf Swivel Joint with an 8" lay length, a Spigot inlet and an FIPT outlet, the part number is: ST524-208

3-ElI Turf Swivel Joint



4-ElI Turf Swivel Joint



Turf Swivel Joints

Part Number	Size	Std Pk	Mstr Ctn	Disc Code	Price Each
3-ElI Turf Swivel Joints					
ST5_-208	1/2X8L	10	0	030	30.74
ST5_-212	1/2X12L	10	0	030	31.11
ST5_-215	1/2X15L	10	0	030	32.06
ST5_-219	1/2X19L	10	0	030	33.09
ST7_-208	3/4X8L	10	0	030	33.14
ST7_-212	3/4X12L	10	0	030	34.71
ST7_-215	3/4X15L	10	0	030	35.38
ST7_-219	3/4X19L	10	0	030	36.22
ST9_-208	1X8L	10	0	030	36.49
ST9_-212	1X12L	10	0	030	37.64
ST9_-215	1X15L	10	0	030	38.62
ST9_-219	1X19L	10	0	030	39.95
ST57_-208	1/2X3/4X8L	10	0	030	30.74
ST57_-212	1/2X3/4X12L	10	0	030	31.11
ST57_-215	1/2X3/4X15L	10	0	030	32.06
ST57_-219	1/2X3/4X19L	10	0	030	33.09
ST75_-208	3/4X1/2X8L	10	0	030	33.14
ST75_-212	3/4X1/2X12L	10	0	030	34.71
ST75_-215	3/4X1/2X15L	10	0	030	35.38
ST75_-219	3/4X1/2X19L	10	0	030	35.38

Turf Swivel Joints (continued)

Part Number	Size	Std Pk	Mstr Ctn	Disc Code	Price Each
4-ElI Turf Swivel Joints					
ST75_-415	3/4X1/2X15L	10	0	030	36.74
ST75_-419	3/4X1/2X19L	10	0	030	36.74

4-ElI Turf Swivel Joints

ST5_-408	1/2X8L	10	0	030	31.40
ST5_-412	1/2X12L	10	0	030	31.77
ST5_-415	1/2X15L	10	0	030	32.65
ST5_-419	1/2X19L	10	0	030	33.61
ST7_-408	3/4X8L	10	0	030	33.80
ST7_-412	3/4X12L	10	0	030	35.29
ST7_-415	3/4X15L	10	0	030	35.97
ST7_-419	3/4X19L	10	0	030	36.74
ST9_-408	1X8L	10	0	030	38.39
ST9_-412	1X12L	10	0	030	39.45
ST9_-415	1X15L	10	0	030	40.41
ST9_-419	1X19L	10	0	030	41.67
ST57_-408	1/2X3/4X8L	10	0	030	31.40
ST57_-412	1/2X3/4X12L	10	0	030	31.77
ST57_-415	1/2X3/4X15L	10	0	030	32.65
ST57_-419	1/2X3/4X19L	10	0	030	33.61
ST75_-408	3/4X1/2X8L	10	0	030	35.38
ST75_-412	3/4X1/2X12L	10	0	030	36.74



Turf & Irrigation Compact Turf Swivel Joints

Factory Assembled
All Inlets are Swivel Male Threads

Three Outlet Choices:

- Series ST11 & ST41 = Female Pipe Threads
- Series ST12 & ST42 = Swivel Male Pipe Threads
- Series ST13 & ST43 = Male Pipe Threads

Also available in 1" MBSP inlet x 1" MBSP outlet. Contact Spears® for pricing and availability.

Part Number	Size	Std Pk	Mstr Ctn	Disc Code	Price Each
-------------	------	--------	----------	-----------	------------

3-El Compact Swivel Joints

Swivel Mipt x Fipt



ST1105	1/2	10	0	030	19.61
ST1107	3/4	10	0	030	22.14
ST1110	1	10	0	030	25.78

3-El Compact Swivel Joints

Swivel Mipt x Swivel Mipt



ST1205	1/2	10	0	030	19.61
ST1207	3/4	10	0	030	22.14
ST1210	1	10	0	030	25.78

3-El Compact Swivel Joints

Swivel Mipt x Mipt



ST1305	1/2	10	0	030	19.61
ST1307	3/4	10	0	030	22.14
ST1310	1	10	0	030	25.78

4-El Compact Swivel Joints

Swivel Mipt x Fipt



ST4105	1/2	10	0	030	20.82
ST4107	3/4	10	0	030	23.38
ST4110	1	10	0	030	28.21

4-El Compact Swivel Joints

Swivel Mipt x Swivel Mipt



ST4205	1/2	10	0	030	20.82
ST4207	3/4	10	0	030	23.38
ST4210	1	10	0	030	28.21

4-El Compact Swivel Joints

Swivel Mipt x Mipt

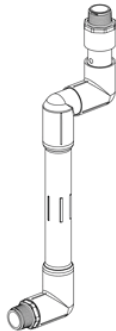


ST4305	1/2	10	0	030	20.82
ST4307	3/4	10	0	030	23.38
ST4310	1	10	0	030	28.21

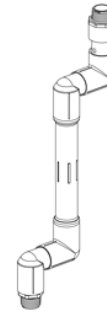


Pressure Regulated Swivel Joints

3-ElI Pressure Regulated Swivel Joint



4-ElI Pressure Regulated Swivel Joint



Pressure Regulated Swivel Joints

Part Number	Size	Std Pk	Mstr Ctn	Disc Code	Price Each
3-ElI - Mipt x Mipt					
ST73PR-208	3/4X8L	10	0	030	61.38
ST73PR-212	3/4X12L	10	0	030	63.05
ST73PR-215	3/4X15L	10	0	030	63.78
ST73PR-219	3/4X19L	10	0	030	64.64
ST93PR-208	1X8L	10	0	030	66.36
ST93PR-212	1X12L	10	0	030	67.57
ST93PR-215	1X15L	10	0	030	68.62
ST93PR-219	1X19L	10	0	030	70.02

4-ElI - Mipt x Mipt

ST73PR-408	3/4X8L	10	0	030	64.78
ST73PR-412	3/4X12L	10	0	030	66.47
ST73PR-415	3/4X15L	10	0	030	67.18
ST73PR-419	3/4X19L	10	0	030	68.06
ST93PR-408	1X8L	10	0	030	71.80

Pressure Regulated Swivel Joints (continued)

Part Number	Size	Std Pk	Mstr Ctn	Disc Code	Price Each
4-ElI - Mipt x Mipt					
ST93PR-412	1X12L	10	0	030	73.00
ST93PR-415	1X15L	10	0	030	74.05
ST93PR-419	1X19L	10	0	030	75.44

Complete Factory Assembly. Available in sizes 3/4" and 1" with Mipt Inlet x Mipt Outlet and the following Lay Length Options:

8" = 8L
 12" = 12L
 15" = 15L
 19" = 19L

Maintains constant, uniform pressure to sprinkler at the following pre-set nominal values:
 45 psi for 3/4" Turf Swivel Joint
 70 psi for 1" Turf Swivel Joint

Not recommended for use in systems with pressures equal to or less than regulated pressures above.

Pressure Rating @ 73°F (23°C), Water 315 psi

Turf Swivel Joint Replacement Parts

Part Number	Size	Std Pk	Mstr Ctn	Disc Code	Price Each
-------------	------	--------	----------	-----------	------------

Coupling
FAT x FAT



ST430-007	3/4	1	200	030	6.47
ST430-010	1	1	250	030	8.60

90° Elbow
FAT x FAT



ST1101-005	1/2	1	300	030	3.74
ST1101-007	3/4	1	250	030	4.32
ST1101-101	3/4X1/2	1	270	030	3.94
ST1101-010	1	1	175	030	7.12

90° Elbow
FAT x SOC



ST1102-005	1/2	1	350	030	3.74
ST1102-007	3/4	1	250	030	4.32
ST1102-010	1	1	160	030	7.12

90° Street ElI
MAT x FAT



ST425-005	1/2	1	200	030	5.44
ST425-007	3/4	1	300	030	5.81
ST425-010	1	1	200	030	8.08

Part Number	Size	Std Pk	Mstr Ctn	Disc Code	Price Each
-------------	------	--------	----------	-----------	------------

Socket Inlet #1
SOC x MAT



ST436-005	1/2	1	350	030	3.49
ST436-007	3/4	1	50	030	3.86
ST436-010	1	1	330	030	7.24

Spigot Inlet #2
SPG x MAT



ST105-035	1/2	1	350	030	3.72
ST107-035	3/4	1	50	030	4.16
ST110-040	1	1	140	030	7.58

Male Thread Inlet #3
Mipt x MAT



ST205-020	1/2	1	25	030	3.29
ST207-020	3/4	1	350	030	3.86
ST210-020	1	1	150	030	4.19

Socket Outlet #1
MAT x SOC



ST410-005	1/2	1	50	030	7.42
ST410-007	3/4	1	200	030	8.13
ST410-010	1	1	25	030	8.52



Turf & Irrigation Turf Swivel Joint Replacement Parts

Part Number	Size	Std Pk	Mstr Ctn	Disc Code	Price Each
-------------	------	--------	----------	-----------	------------

Male Thread Outlet #2

MAT x Mipt



ST408-005	1/2	1	250	030	5.44
ST408-007	3/4	1	25	030	5.81
ST408-010	1	1	150	030	8.60

Female Thread Outlet #4

MAT x Fipt



ST412-005	1/2	1	250	030	5.44
ST412-007	3/4	1	300	030	5.81
ST412-010	1	1	200	030	8.08

Molded Nipples

MAT x MAT



ST207-065	3/4X6-1/2	1	200	030	7.69
ST207-105	3/4X10-1/2	1	115	030	17.73
ST210-065	1X6-1/2	1	120	030	9.89
ST210-105	1X10-1/2	1	25	030	23.44

O-ring Seal



B-113	1/2	100	0	901	.07
B-115	3/4	100	0	901	.07
B-120	1	100	0	901	.18