



Thermoplastic Valves True Union 2000 Industrial Ball Valves



Socket Style



SR Threaded Style



6" Lever Handle Style

All Valves Assembled with Silicone-Free, Water Soluble Lubricant
Contact Spears® for Pricing on Custom Elastomer Seals

See Ball Valve Accessories & Repair Kits Section for Additional Options and Features

Pressure Rating @ 73°F (23°C), Water

| | |
|-------------|---------|
| 1/2" - 4" | 235 psi |
| 6" - 8" | 150 psi |
| All Flanged | 150 psi |

Maximum Service Temperature

| |
|---------------------------------------|
| PVC = 140°F (60°C) |
| CPVC = 200°F (93°C) |
| Temperature/Pressure De-ratings Apply |
| Rated for Vacuum Service |

Note: Standard 6" Valve uses lockout type Lever-Style Handle for proper leverage. Non-locking T-Handle is more compact, but will increase difficulty of operation.
True Union 2000 Industrial Ball Valves have Built-in Handle Lockouts (except 6" T-Handle Option)

PVC Industrial

| Size | EPDM | FKM | Std Pk | Mstr Pk | Disc Code |
|-----------------------------------|---------------|---------------|--------|---------|-----------|
| Threaded & Socket Ends | | | | | |
| 1/2 | 1829-005 | 1839-005 | 1 | 18 | 600 |
| | 49.69 | 55.27 | | | |
| 3/4 | 1829-007 | 1839-007 | 1 | 18 | 600 |
| | 58.80 | 65.41 | | | |
| 1 | 1829-010 | 1839-010 | 1 | 12 | 600 |
| | 70.02 | 77.99 | | | |
| 1-1/4 | 1829-012 | 1839-012 | 1 | 8 | 600 |
| | 96.86 | 123.64 | | | |
| 1-1/2 | 1829-015 | 1839-015 | 1 | 8 | 600 |
| | 116.67 | 129.52 | | | |
| 2 | 1829-020 | 1839-020 | 1 | 4 | 600 |
| | 153.96 | 169.54 | | | |

Socket Ends

| | | | | | |
|-------|----------------|----------------|---|---|-----|
| 2-1/2 | 1822-025 | 1832-025 | 1 | 0 | 601 |
| | 295.95 | 401.01 | | | |
| 3 | 1822-030 | 1832-030 | 1 | 0 | 601 |
| | 390.18 | 433.54 | | | |
| 4 | 1822-040 | 1832-040 | 1 | 0 | 601 |
| | 659.24 | 732.49 | | | |
| 6 | 1822-060 | 1832-060 | 1 | 0 | 612 |
| | 1424.09 | 1580.38 | | | |
| 8 | 1822-080 | 1832-080 | 1 | 0 | 612 |
| | 1894.05 | 2101.91 | | | |

8" Venturied valves are 6" ball valves fitted with 6x8 end connector adapters.

Threaded Ends

| | | | | | |
|-------|----------------|----------------|---|---|-----|
| 2-1/2 | 1821-025 | 1831-025 | 1 | 0 | 601 |
| | 295.95 | 401.01 | | | |
| 3 | 1821-030 | 1831-030 | 1 | 0 | 601 |
| | 390.18 | 433.54 | | | |
| 4 | 1821-040 | 1831-040 | 1 | 0 | 601 |
| | 659.24 | 732.49 | | | |
| 6 | 1821-060 | 1831-060 | 1 | 0 | 612 |
| | 1424.09 | 1580.38 | | | |

SR Threaded Ends

| | | | | | |
|-------|---------------|---------------|---|----|-----|
| 1/2 | 1821-005SR | 1831-005SR | 1 | 18 | 600 |
| | 50.75 | 56.36 | | | |
| 3/4 | 1821-007SR | 1831-007SR | 1 | 18 | 600 |
| | 61.36 | 68.00 | | | |
| 1 | 1821-010SR | 1831-010SR | 1 | 12 | 600 |
| | 72.59 | 80.56 | | | |
| 1-1/4 | 1821-012SR | 1831-012SR | 1 | 8 | 600 |
| | 104.58 | 131.37 | | | |
| 1-1/2 | 1821-015SR | 1831-015SR | 1 | 8 | 600 |
| | 124.98 | 137.82 | | | |
| 2 | 1821-020SR | 1831-020SR | 1 | 4 | 600 |
| | 162.95 | 178.36 | | | |

PVC Industrial (continued)

| Size | EPDM | FKM | Std Pk | Mstr Pk | Disc Code |
|-------------------------|----------------|----------------|--------|---------|-----------|
| SR Threaded Ends | | | | | |
| 2-1/2 | 1821-025SR | 1831-025SR | 1 | 0 | 601 |
| | 320.13 | 425.16 | | | |
| 3 | 1821-030SR | 1831-030SR | 1 | 0 | 601 |
| | 414.37 | 457.72 | | | |
| 4 | 1821-040SR | 1831-040SR | 1 | 0 | 601 |
| | 687.47 | 760.73 | | | |
| 6 | 1821-060SR | 1831-060SR | 1 | 0 | 612 |
| | 1464.37 | 1620.63 | | | |

Spigot Ends

| | | | | | |
|-------|----------------|----------------|---|----|-----|
| 1/2 | 1827-005 | 1837-005 | 1 | 18 | 600 |
| | 49.69 | 55.27 | | | |
| 3/4 | 1827-007 | 1837-007 | 1 | 18 | 600 |
| | 58.80 | 65.41 | | | |
| 1 | 1827-010 | 1837-010 | 1 | 12 | 600 |
| | 70.02 | 77.99 | | | |
| 1-1/4 | 1827-012 | 1837-012 | 1 | 8 | 600 |
| | 96.86 | 123.64 | | | |
| 1-1/2 | 1827-015 | 1837-015 | 1 | 8 | 600 |
| | 116.67 | 129.52 | | | |
| 2 | 1827-020 | 1837-020 | 1 | 4 | 600 |
| | 153.96 | 169.54 | | | |
| 2-1/2 | 1827-025 | 1837-025 | 1 | 0 | 601 |
| | 295.95 | 401.01 | | | |
| 3 | 1827-030 | 1837-030 | 1 | 0 | 601 |
| | 390.18 | 433.54 | | | |
| 4 | 1827-040 | 1837-040 | 1 | 0 | 601 |
| | 659.24 | 732.49 | | | |
| 6 | 1827-060 | 1837-060 | 1 | 0 | 612 |
| | 1424.09 | 1580.38 | | | |

Flanged Ends

| | | | | | |
|-------|---------------|---------------|---|---|-----|
| 1/2 | 1823-005 | 1833-005 | 1 | 8 | 600 |
| | 71.08 | 75.81 | | | |
| 3/4 | 1823-007 | 1833-007 | 1 | 8 | 600 |
| | 90.04 | 97.95 | | | |
| 1 | 1823-010 | 1833-010 | 1 | 8 | 600 |
| | 108.98 | 117.21 | | | |
| 1-1/4 | 1823-012 | 1833-012 | 1 | 8 | 600 |
| | 127.97 | 142.17 | | | |
| 1-1/2 | 1823-015 | 1833-015 | 1 | 4 | 600 |
| | 161.16 | 175.36 | | | |
| 2 | 1823-020 | 1833-020 | 1 | 0 | 600 |
| | 256.61 | 272.17 | | | |
| 2-1/2 | 1823-025 | 1833-025 | 1 | 0 | 601 |
| | 473.91 | 481.75 | | | |
| 3 | 1823-030 | 1833-030 | 1 | 0 | 601 |
| | 523.81 | 650.35 | | | |

Thermoplastic Valves
True Union 2000 Industrial Ball Valves



PVC Industrial (continued)

| Size | EPDM | FKM | Std Pk | Mstr Pk | Disc Code |
|---------------------|----------------------------|----------------------------|--------|---------|-----------|
| Flanged Ends | | | | | |
| 4 | 1823-040 1053.20 | 1833-040 1220.83 | 1 | 0 | 601 |
| 6 | 1823-060 2242.47 | 1833-060 2600.11 | 1 | 0 | 612 |
| 8 | 1823-080 2982.48 | 1833-080 3458.14 | 1 | 0 | 612 |

8" Venturied valves are 6" ball valves fitted with 6x8 end connector adapters.

PVC 6" Industrial T-Handle Valve Option (Non-Locking)
NOTICE: T-Handle is more compact, but will greatly increase difficulty of operation.

| Size | EPDM | FKM | Std Pk | Mstr Pk | Disc Code |
|--------------------|-----------------------------|-----------------------------|--------|---------|-----------|
| Socket Ends | | | | | |
| 6 | 18226-060 1424.09 | 18326-060 1580.38 | 1 | 0 | 612 |

Threaded Ends

| | | | | | |
|----------|-----------------------------|-----------------------------|---|---|-----|
| 6 | 18216-060 1424.09 | 18316-060 1580.38 | 1 | 0 | 612 |
|----------|-----------------------------|-----------------------------|---|---|-----|

SR Threaded Ends

| | | | | | |
|----------|-------------------------------|-------------------------------|---|---|-----|
| 6 | 18216-060SR 1464.37 | 18316-060SR 1620.63 | 1 | 0 | 612 |
|----------|-------------------------------|-------------------------------|---|---|-----|

Flanged Ends

| | | | | | |
|----------|-----------------------------|-----------------------------|---|---|-----|
| 6 | 18236-060 2242.47 | 18336-060 2600.11 | 1 | 0 | 612 |
|----------|-----------------------------|-----------------------------|---|---|-----|

CPVC Industrial

| Size | EPDM | FKM | Std Pk | Mstr Pk | Disc Code |
|-----------------------------------|----------------------------|----------------------------|--------|---------|-----------|
| Threaded & Socket Ends | | | | | |
| 1/2 | 1829-005C 65.63 | 1839-005C 72.93 | 1 | 18 | 602 |
| 3/4 | 1829-007C 82.65 | 1839-007C 91.86 | 1 | 18 | 602 |
| 1 | 1829-010C 98.40 | 1839-010C 109.33 | 1 | 12 | 602 |
| 1-1/4 | 1829-012C 156.43 | 1839-012C 173.86 | 1 | 8 | 602 |
| 1-1/2 | 1829-015C 165.21 | 1839-015C 183.57 | 1 | 8 | 602 |
| 2 | 1829-020C 220.95 | 1839-020C 254.00 | 1 | 4 | 602 |

Socket Ends

| | | | | | |
|--------------|-----------------------------|-----------------------------|---|---|-----|
| 2-1/2 | 1822-025C 495.39 | 1832-025C 550.40 | 1 | 0 | 603 |
| 3 | 1822-030C 579.22 | 1832-030C 643.63 | 1 | 0 | 603 |
| 4 | 1822-040C 1049.59 | 1832-040C 1166.19 | 1 | 0 | 603 |
| 6 | 1822-060C 2234.41 | 1832-060C 2482.51 | 1 | 0 | 613 |
| 8 | 1822-080C 2971.79 | 1832-080C 3301.76 | 1 | 0 | 613 |

8" Venturied valves are 6" ball valves fitted with 6x8 end connector adapters.

Threaded Ends

| | | | | | |
|--------------|-----------------------------|-----------------------------|---|---|-----|
| 2-1/2 | 1821-025C 495.39 | 1831-025C 550.40 | 1 | 0 | 603 |
| 3 | 1821-030C 579.22 | 1831-030C 643.63 | 1 | 0 | 603 |
| 4 | 1821-040C 1049.59 | 1831-040C 1166.19 | 1 | 0 | 603 |
| 6 | 1821-060C 2234.41 | 1831-060C 2482.51 | 1 | 0 | 613 |

SR Threaded Ends

| | | | | | |
|------------|------------------------------|------------------------------|---|----|-----|
| 1/2 | 1821-005CSR 66.68 | 1831-005CSR 73.99 | 1 | 18 | 602 |
| 3/4 | 1821-007CSR 85.23 | 1831-007CSR 94.43 | 1 | 18 | 602 |
| 1 | 1821-010CSR 100.98 | 1831-010CSR 111.88 | 1 | 12 | 602 |

CPVC Industrial (continued)

| Size | EPDM | FKM | Std Pk | Mstr Pk | Disc Code |
|-------------------------|-------------------------------|-------------------------------|--------|---------|-----------|
| SR Threaded Ends | | | | | |
| 1-1/4 | 1821-012CSR 164.17 | 1831-012CSR 181.60 | 1 | 8 | 602 |
| 1-1/2 | 1821-015CSR 173.53 | 1831-015CSR 191.85 | 1 | 8 | 602 |
| 2 | 1821-020CSR 229.95 | 1831-020CSR 263.00 | 1 | 4 | 602 |
| 2-1/2 | 1821-025CSR 519.58 | 1831-025CSR 574.58 | 1 | 0 | 603 |
| 3 | 1821-030CSR 603.40 | 1831-030CSR 667.80 | 1 | 0 | 603 |
| 4 | 1821-040CSR 1077.80 | 1831-040CSR 1194.44 | 1 | 0 | 603 |
| 6 | 1821-060CSR 2295.64 | 1831-060CSR 2543.73 | 1 | 0 | 613 |

Spigot Ends

| | | | | | |
|--------------|-----------------------------|-----------------------------|---|----|-----|
| 1/2 | 1827-005C 65.63 | 1837-005C 72.93 | 1 | 18 | 602 |
| 3/4 | 1827-007C 82.65 | 1837-007C 91.86 | 1 | 18 | 602 |
| 1 | 1827-010C 98.40 | 1837-010C 109.33 | 1 | 12 | 602 |
| 1-1/4 | 1827-012C 156.43 | 1837-012C 173.86 | 1 | 8 | 602 |
| 1-1/2 | 1827-015C 165.21 | 1837-015C 183.57 | 1 | 8 | 602 |
| 2 | 1827-020C 220.95 | 1837-020C 254.00 | 1 | 4 | 602 |
| 2-1/2 | 1827-025C 495.39 | 1837-025C 550.40 | 1 | 0 | 603 |
| 3 | 1827-030C 579.22 | 1837-030C 643.63 | 1 | 0 | 603 |
| 4 | 1827-040C 1049.59 | 1837-040C 1166.19 | 1 | 0 | 603 |
| 6 | 1827-060C 2234.41 | 1837-060C 2482.51 | 1 | 0 | 613 |

Flanged Ends

| | | | | | |
|--------------|-----------------------------|-----------------------------|---|---|-----|
| 1/2 | 1823-005C 111.36 | 1833-005C 113.76 | 1 | 8 | 602 |
| 3/4 | 1823-007C 136.51 | 1833-007C 142.17 | 1 | 8 | 602 |
| 1 | 1823-010C 156.26 | 1833-010C 165.88 | 1 | 8 | 602 |
| 1-1/4 | 1823-012C 233.48 | 1833-012C 241.68 | 1 | 8 | 602 |
| 1-1/2 | 1823-015C 256.82 | 1833-015C 265.38 | 1 | 4 | 602 |
| 2 | 1823-020C 357.38 | 1833-020C 425.63 | 1 | 0 | 602 |
| 2-1/2 | 1823-025C 667.02 | 1833-025C 800.64 | 1 | 0 | 603 |
| 3 | 1823-030C 975.47 | 1833-030C 997.72 | 1 | 0 | 603 |
| 4 | 1823-040C 1710.82 | 1833-040C 1779.24 | 1 | 0 | 603 |
| 6 | 1823-060C 3644.03 | 1833-060C 3789.02 | 1 | 0 | 613 |
| 8 | 1823-080C 4846.55 | 1833-080C 5039.38 | 1 | 0 | 613 |

8" Venturied valves are 6" ball valves fitted with 6x8 end connector adapters.

CPVC 6" Industrial T-Handle Valve Option (Non-Locking)
NOTICE: T-Handle is more compact, but will greatly increase difficulty of operation.

| Size | EPDM | FKM | Std Pk | Mstr Pk | Disc Code |
|----------------------|------------------------------|------------------------------|--------|---------|-----------|
| Socket Ends | | | | | |
| 6 | 18226-060C 2234.41 | 18326-060C 2482.51 | 1 | 0 | 613 |
| Threaded Ends | | | | | |
| 6 | 18216-060C 2234.41 | 18316-060C 2482.51 | 1 | 0 | 613 |



Thermoplastic Valves
True Union 2000 Industrial Ball Valves & True Union 2000 Industrial Vented/Bleach Ball Valves

True Union 2000 Industrial Ball Valves

CPVC 6" Industrial T-Handle Valve Option (Non-Locking) NOTICE: T-Handle is more compact, but will greatly increase difficulty of operation.

| Size | EPDM | FKM | Std Pk | Mstr Pk | Disc Code |
|------|------|-----|--------|---------|-----------|
|------|------|-----|--------|---------|-----------|

SR Threaded Ends

| | | | | | |
|----------|--------------------------------|--------------------------------|---|---|-----|
| 6 | 18216-060CSR 2295.64 | 18316-060CSR 2543.73 | 1 | 0 | 613 |
|----------|--------------------------------|--------------------------------|---|---|-----|

Flanged Ends

| | | | | | |
|----------|------------------------------|------------------------------|---|---|-----|
| 6 | 18236-060C 3644.03 | 18336-060C 3789.02 | 1 | 0 | 613 |
|----------|------------------------------|------------------------------|---|---|-----|

True Union 2000 Industrial Vented/Bleach Ball Valves



Pressure Rating @ 73°F (23°C), Water

| | |
|-----------|---------|
| 1/2" - 4" | 235 psi |
| 6" | 150 psi |
| Flanged | 150 psi |

Same True Union 2000 Industrial Ball Valve with Special Ball Vent Design for Sodium Hypochlorite (Bleach) and other Chemical Applications where entrapped fluids may form caustic crystalline residues and pressure build up from gases developed. Valve has a 1/8" vent hole in ball to equalize internal fluid pressures. Install valve with ball vent on the pressure (upstream) side when in closed position.

All Valves assembled with Silicone-Free, Water Soluble Lubricant

Contact Spears® for Pricing & Availability on Custom Elastomer Seals. See Ball Valve Accessories & Repair Kits Section for Additional Options and Features

PVC True Union 2000 Industrial Vented/Bleach Ball Valves

| Size | EPDM | FKM | Std Pk | Mstr Pk | Disc Code |
|------|------|-----|--------|---------|-----------|
|------|------|-----|--------|---------|-----------|

Threaded & Socket Ends

| | | | | | |
|--------------|----------------------------|----------------------------|---|----|-----|
| 1/2 | 1829V-005 58.45 | 1839V-005 65.06 | 1 | 18 | 600 |
| 3/4 | 1829V-007 69.17 | 1839V-007 76.94 | 1 | 18 | 600 |
| 1 | 1829V-010 82.39 | 1839V-010 91.75 | 1 | 12 | 600 |
| 1-1/4 | 1829V-012 113.97 | 1839V-012 145.45 | 1 | 8 | 600 |
| 1-1/2 | 1829V-015 137.25 | 1839V-015 152.38 | 1 | 8 | 600 |
| 2 | 1829V-020 181.12 | 1839V-020 199.46 | 1 | 4 | 600 |

Socket Ends

| | | | | | |
|--------------|-----------------------------|-----------------------------|---|---|-----|
| 2-1/2 | 1822V-025 348.17 | 1832V-025 471.76 | 1 | 0 | 601 |
| 3 | 1822V-030 390.18 | 1832V-030 510.03 | 1 | 0 | 601 |
| 4 | 1822V-040 659.24 | 1832V-040 861.75 | 1 | 0 | 601 |
| 6 | 1822V-060 1675.42 | 1832V-060 1975.46 | 1 | 0 | 612 |

SR Threaded Ends

| | | | | | |
|--------------|------------------------------|------------------------------|---|----|-----|
| 1/2 | 1821V-005SR 59.72 | 1831V-005SR 66.32 | 1 | 18 | 600 |
| 3/4 | 1821V-007SR 72.18 | 1831V-007SR 79.99 | 1 | 18 | 600 |
| 1 | 1821V-010SR 85.41 | 1831V-010SR 94.79 | 1 | 12 | 600 |
| 1-1/4 | 1821V-012SR 123.04 | 1831V-012SR 154.54 | 1 | 8 | 600 |
| 1-1/2 | 1821V-015SR 147.04 | 1831V-015SR 162.16 | 1 | 8 | 600 |
| 2 | 1821V-020SR 191.71 | 1831V-020SR 209.82 | 1 | 4 | 600 |
| 2-1/2 | 1821V-025SR 376.62 | 1831V-025SR 500.19 | 1 | 0 | 601 |
| 3 | 1821V-030SR 487.51 | 1831V-030SR 538.48 | 1 | 0 | 601 |

PVC True Union 2000 Industrial Vented/Bleach Ball Valves (continued)

| Size | EPDM | FKM | Std Pk | Mstr Pk | Disc Code |
|------|------|-----|--------|---------|-----------|
|------|------|-----|--------|---------|-----------|

SR Threaded Ends

| | | | | | |
|----------|------------------------------|------------------------------|---|---|-----|
| 4 | 1821V-040SR 808.78 | 1831V-040SR 894.98 | 1 | 0 | 601 |
|----------|------------------------------|------------------------------|---|---|-----|

Flanged Ends

| | | | | | |
|--------------|-----------------------------|-----------------------------|---|---|-----|
| 1/2 | 1823V-005 83.76 | 1833V-005 89.47 | 1 | 8 | 600 |
| 3/4 | 1823V-007 105.95 | 1833V-007 115.22 | 1 | 8 | 600 |
| 1 | 1823V-010 128.21 | 1833V-010 137.87 | 1 | 8 | 600 |
| 1-1/4 | 1823V-012 150.56 | 1833V-012 206.28 | 1 | 8 | 600 |
| 1-1/2 | 1823V-015 189.60 | 1833V-015 206.28 | 1 | 4 | 600 |
| 2 | 1823V-020 301.89 | 1833V-020 320.20 | 1 | 0 | 600 |
| 2-1/2 | 1823V-025 557.54 | 1833V-025 566.75 | 1 | 0 | 601 |
| 3 | 1823V-030 616.24 | 1833V-030 765.09 | 1 | 0 | 601 |
| 4 | 1823V-040 1239.06 | 1833V-040 1436.28 | 1 | 0 | 601 |
| 6 | 1823V-060 2638.22 | 1833V-060 3058.95 | 1 | 0 | 612 |

CPVC True Union 2000 Industrial Vented/Bleach Ball Valves

| Size | EPDM | FKM | Std Pk | Mstr Pk | Disc Code |
|------|------|-----|--------|---------|-----------|
|------|------|-----|--------|---------|-----------|

Threaded & Socket Ends

| | | | | | |
|--------------|-----------------------------|-----------------------------|---|----|-----|
| 1/2 | 1829V-005C 77.20 | 1839V-005C 85.79 | 1 | 18 | 602 |
| 3/4 | 1829V-007C 97.23 | 1839V-007C 108.07 | 1 | 18 | 602 |
| 1 | 1829V-010C 115.77 | 1839V-010C 128.62 | 1 | 12 | 602 |
| 1-1/4 | 1829V-012C 184.04 | 1839V-012C 204.57 | 1 | 8 | 602 |

Thermoplastic Valves
True Union 2000 Industrial Vented/Bleach Ball Valves



CPVC True Union 2000 Industrial Vented/Bleach Ball Valves (continued)

| Size | EPDM | FKM | Std Pk | Mstr Pk | Disc Code |
|------|------|-----|--------|---------|-----------|
|------|------|-----|--------|---------|-----------|

Threaded & Socket Ends

| | | | | | |
|--------------|-----------------------------|-----------------------------|---|---|-----|
| 1-1/2 | 1829V-015C 194.37 | 1839V-015C 215.96 | 1 | 8 | 602 |
| 2 | 1829V-020C 259.96 | 1839V-020C 298.81 | 1 | 4 | 602 |

Socket Ends

| | | | | | |
|--------------|------------------------------|------------------------------|---|---|-----|
| 2-1/2 | 1822V-025C 582.81 | 1832V-025C 647.51 | 1 | 0 | 603 |
| 3 | 1822V-030C 681.44 | 1832V-030C 757.19 | 1 | 0 | 603 |
| 4 | 1822V-040C 1234.79 | 1832V-040C 1372.00 | 1 | 0 | 603 |
| 6 | 1822V-060C 2628.74 | 1832V-060C 2920.60 | 1 | 0 | 613 |

SR Threaded Ends

| | | | | | |
|--------------|--------------------------------|--------------------------------|---|----|-----|
| 1/2 | 1821V-005CSR 78.43 | 1831V-005CSR 87.05 | 1 | 18 | 602 |
| 3/4 | 1821V-007CSR 100.28 | 1831V-007CSR 111.07 | 1 | 18 | 602 |
| 1 | 1821V-010CSR 118.77 | 1831V-010CSR 131.62 | 1 | 12 | 602 |
| 1-1/4 | 1821V-012CSR 193.12 | 1831V-012CSR 213.65 | 1 | 8 | 602 |
| 1-1/2 | 1821V-015CSR 204.15 | 1831V-015CSR 225.73 | 1 | 8 | 602 |
| 2 | 1821V-020CSR 270.54 | 1831V-020CSR 309.41 | 1 | 4 | 602 |
| 2-1/2 | 1821V-025CSR 611.26 | 1831V-025CSR 675.97 | 1 | 0 | 603 |
| 3 | 1821V-030CSR 709.89 | 1831V-030CSR 785.65 | 1 | 0 | 603 |
| 4 | 1821V-040CSR 1268.01 | 1831V-040CSR 1405.23 | 1 | 0 | 603 |

Flanged Ends

| | | | | | |
|--------------|------------------------------|------------------------------|---|---|-----|
| 1/2 | 1823V-005C 131.00 | 1833V-005C 133.82 | 1 | 8 | 602 |
| 3/4 | 1823V-007C 160.59 | 1833V-007C 167.29 | 1 | 8 | 602 |
| 1 | 1823V-010C 183.84 | 1833V-010C 195.16 | 1 | 8 | 602 |
| 1-1/4 | 1823V-012C 274.69 | 1833V-012C 284.33 | 1 | 8 | 602 |
| 1-1/2 | 1823V-015C 302.14 | 1833V-015C 312.22 | 1 | 4 | 602 |
| 2 | 1823V-020C 420.45 | 1833V-020C 500.73 | 1 | 0 | 602 |
| 2-1/2 | 1823V-025C 784.74 | 1833V-025C 941.93 | 1 | 0 | 603 |
| 3 | 1823V-030C 1147.61 | 1833V-030C 1173.76 | 1 | 0 | 603 |
| 4 | 1823V-040C 2093.21 | 1833V-040C 2093.23 | 1 | 0 | 603 |
| 6 | 1823V-060C 4457.67 | 1833V-060C 4457.67 | 1 | 0 | 613 |



Thermoplastic Valves True Union 2000 Industrial 3-Way Ball Valves

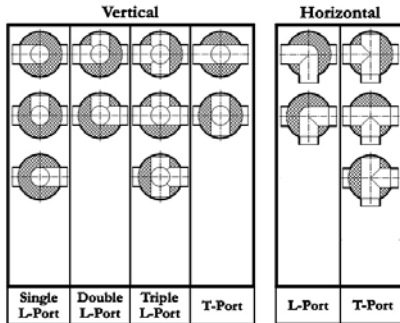
Pressure Rating @ 73°F (23°C), Water
 1/2" - 2" 235 psi
 2-1/2" - 4" 150 psi
 Flanged 150 psi
 Maximum Service Temperature
 PVC = 140°F (60°C)
 CPVC = 200°F (93°C)

Temperature/Pressure De-ratings Apply
 Vertical 3-Way or Horizontal Diverter Design
 (No Branch Shut-off)

All Standard Carton Quantities are one
 All Valves assembled with Silicone-Free,
 Water Soluble Lubricant

See Ball Valve Accessories & Repair Kits Section
 for Additional Options and Features

Ball Port Options



Ball port options viewed from top of valve



Horizontal Diverter Valve



Vertical 3-Way Valve

PVC Horizontal Diverter Ball Valves

| Material | EPDM | | | | FKM | | | | Disc Code | |
|----------|-----------|-----------------------|-------------------------|-----------------------|-----------------------|-----------------------|-------------------------|-----------------------|-----------------------|---------|
| | Joint | Socket | SR Thread | Spigot | Flanged | Socket | SR Thread | Spigot | | Flanged |
| Size | Ball Port | Part # Price Each | Part # Price Each | Part # Price Each | Part # Price Each | Part # Price Each | Part # Price Each | Part # Price Each | Part # Price Each | |
| 1/2 | L-Port | 5022L1-005 102.54 | 5021L1-005SR 105.85 | 5027L1-005 102.54 | 5023L1-005 209.43 | 5032L1-005 111.22 | 5031L1-005SR 116.24 | 5037L1-005 111.22 | 5033L1-005 218.79 | 615 |
| | T-Port | 5022T1-005 102.54 | 5021T1-005SR 105.85 | 5027T1-005 102.54 | 5023T1-005 209.43 | 5032T1-005 111.22 | 5031T1-005SR 116.24 | 5037T1-005 111.22 | 5033T1-005 218.79 | 615 |
| 3/4 | L-Port | 5022L1-007 122.29 | 5021L1-007SR 126.36 | 5027L1-007 122.29 | 5023L1-007 219.13 | 5032L1-007 131.63 | 5031L1-007SR 135.73 | 5037L1-007 131.63 | 5033L1-007 231.24 | 615 |
| | T-Port | 5022T1-007 122.29 | 5021T1-007SR 126.36 | 5027T1-007 122.29 | 5023T1-007 219.13 | 5032T1-007 131.63 | 5031T1-007SR 135.73 | 5037T1-007 131.63 | 5033T1-007 231.24 | 615 |
| 1 | L-Port | 5022L1-010 148.27 | 5021L1-010SR 152.26 | 5027L1-010 148.27 | 5023L1-010 312.32 | 5032L1-010 163.35 | 5031L1-010SR 167.40 | 5037L1-010 163.35 | 5033L1-010 341.42 | 615 |
| | T-Port | 5022T1-010 148.27 | 5021T1-010SR 152.26 | 5027T1-010 148.27 | 5023T1-010 312.32 | 5032T1-010 163.35 | 5031T1-010SR 167.40 | 5037T1-010 163.35 | 5033T1-010 341.42 | 615 |
| 1-1/4 | L-Port | 5022L1-012 171.86 | 5021L1-012SR 179.63 | 5027L1-012 171.86 | 5023L1-012 590.69 | 5032L1-012 193.32 | 5031L1-012SR 201.44 | 5037L1-012 193.32 | 5033L1-012 625.67 | 615 |
| | T-Port | 5022T1-012 171.86 | 5021T1-012SR 179.63 | 5027T1-012 171.86 | 5023T1-012 590.69 | 5032T1-012 193.32 | 5031T1-012SR 201.44 | 5037T1-012 193.32 | 5033T1-012 625.67 | 615 |
| 1-1/2 | L-Port | 5022L1-015 200.95 | 5021L1-015SR 213.94 | 5027L1-015 200.95 | 5023L1-015 608.53 | 5032L1-015 220.00 | 5031L1-015SR 232.98 | 5037L1-015 220.00 | 5033L1-015 636.42 | 615 |
| | T-Port | 5022T1-015 200.95 | 5021T1-015SR 213.94 | 5027T1-015 200.95 | 5023T1-015 608.53 | 5032T1-015 220.00 | 5031T1-015SR 232.98 | 5037T1-015 220.00 | 5033T1-015 636.42 | 615 |
| 2 | L-Port | 5022L1-020 246.51 | 5021L1-020SR 259.48 | 5027L1-020 246.51 | 5023L1-020 790.23 | 5032L1-020 287.39 | 5031L1-020SR 301.48 | 5037L1-020 287.39 | 5033L1-020 829.91 | 615 |
| | T-Port | 5022T1-020 246.51 | 5021T1-020SR 259.48 | 5027T1-020 246.51 | 5023T1-020 790.23 | 5032T1-020 287.39 | 5031T1-020SR 301.48 | 5037T1-020 287.39 | 5033T1-020 829.91 | 615 |
| 2-1/2 | L-Port | 5022L1-025 831.12 | 5021L1-025SR 867.49 | 5027L1-025 831.12 | 5023L1-025 1387.52 | 5032L1-025 883.79 | 5031L1-025SR 920.15 | 5037L1-025 883.79 | 5033L1-025 1626.02 | 615 |
| | T-Port | 5022T1-025 831.12 | 5021T1-025SR 867.49 | 5027T1-025 831.12 | 5023T1-025 1387.52 | 5032T1-025 883.79 | 5031T1-025SR 920.15 | 5037T1-025 883.79 | 5033T1-025 1626.02 | 615 |
| 3 | L-Port | 5022L1-030 848.09 | 5021L1-030SR 886.21 | 5027L1-030 848.09 | 5023L1-030 1405.72 | 5032L1-030 897.64 | 5031L1-030SR 934.00 | 5037L1-030 897.64 | 5033L1-030 1633.48 | 615 |
| | T-Port | 5022T1-030 848.09 | 5021T1-030SR 886.21 | 5027T1-030 848.09 | 5023T1-030 1405.72 | 5032T1-030 897.64 | 5031T1-030SR 934.00 | 5037T1-030 897.64 | 5033T1-030 1633.48 | 615 |
| 4 | L-Port | 5022L1-040 1535.97 | 5021L1-040SR 1577.56 | 5027L1-040 1535.97 | 5023L1-040 2042.29 | 5032L1-040 1553.29 | 5031L1-040SR 1594.87 | 5037L1-040 1553.29 | 5033L1-040 2232.33 | 615 |
| | T-Port | 5022T1-040 1535.97 | 5021T1-040SR 1577.56 | 5027T1-040 1535.97 | 5023T1-040 2042.29 | 5032T1-040 1553.29 | 5031T1-040SR 1594.87 | 5037T1-040 1553.29 | 5033T1-040 2232.33 | 615 |

Thermoplastic Valves
True Union 2000 Industrial 3-Way Ball Valves



CPVC Horizontal Diverter Ball Valves

| Material | | EPDM | | | | | FKM | | | | | Disc Code |
|----------|-----------|------------------------|--------------------------|------------------------|------------------------|------------------------|--------------------------|------------------------|------------------------|-----|--|-----------|
| Joint | | Socket | SR Thread | Spigot | Flanged | Socket | SR Thread | Spigot | Flanged | | | |
| Size | Ball Port | Part # Price Each | Part # Price Each | Part # Price Each | Part # Price Each | Part # Price Each | Part # Price Each | Part # Price Each | Part # Price Each | | | |
| 1/2 | L-Port | 5022L1-005C 157.82 | 5021L1-005CSR 162.83 | 5027L1-005C 157.82 | 5023L1-005C 322.20 | 5032L1-005C 170.98 | 5031L1-005CSR 178.77 | 5037L1-005C 170.98 | 5033L1-005C 336.56 | 617 | | |
| | T-Port | 5022T1-005C 157.82 | 5021T1-005CSR 162.83 | 5027T1-005C 157.82 | 5023T1-005C 322.20 | 5032T1-005C 170.98 | 5031T1-005CSR 178.77 | 5037T1-005C 170.98 | 5033T1-005C 336.56 | 617 | | |
| 3/4 | L-Port | 5022L1-007C 188.12 | 5021L1-007CSR 194.37 | 5027L1-007C 188.12 | 5023L1-007C 337.09 | 5032L1-007C 202.49 | 5031L1-007CSR 208.73 | 5037L1-007C 202.49 | 5033L1-007C 355.80 | 617 | | |
| | T-Port | 5022T1-007C 188.12 | 5021T1-007CSR 194.37 | 5027T1-007C 188.12 | 5023T1-007C 337.09 | 5032T1-007C 202.49 | 5031T1-007CSR 208.73 | 5037T1-007C 202.49 | 5033T1-007C 355.80 | 617 | | |
| 1 | L-Port | 5022L1-010C 228.12 | 5021L1-010CSR 234.21 | 5027L1-010C 228.12 | 5023L1-010C 480.34 | 5032L1-010C 251.35 | 5031L1-010CSR 257.40 | 5037L1-010C 251.35 | 5033L1-010C 525.21 | 617 | | |
| | T-Port | 5022T1-010C 228.12 | 5021T1-010CSR 234.21 | 5027T1-010C 228.12 | 5023T1-010C 480.34 | 5032T1-010C 251.35 | 5031T1-010CSR 257.40 | 5037T1-010C 251.35 | 5033T1-010C 525.21 | 617 | | |
| 1-1/4 | L-Port | 5022L1-012C 264.35 | 5021L1-012CSR 276.29 | 5027L1-012C 264.35 | 5023L1-012C 908.74 | 5032L1-012C 296.38 | 5031L1-012CSR 309.89 | 5037L1-012C 296.38 | 5033L1-012C 962.62 | 617 | | |
| | T-Port | 5022T1-012C 264.35 | 5021T1-012CSR 276.29 | 5027T1-012C 264.35 | 5023T1-012C 908.74 | 5032T1-012C 296.38 | 5031T1-012CSR 309.89 | 5037T1-012C 296.38 | 5033T1-012C 962.62 | 617 | | |
| 1-1/2 | L-Port | 5022L1-015C 309.22 | 5021L1-015CSR 329.13 | 5027L1-015C 309.22 | 5023L1-015C 936.25 | 5032L1-015C 338.44 | 5031L1-015CSR 358.39 | 5037L1-015C 338.44 | 5033L1-015C 979.05 | 617 | | |
| | T-Port | 5022T1-015C 309.22 | 5021T1-015CSR 329.13 | 5027T1-015C 309.22 | 5023T1-015C 936.25 | 5032T1-015C 338.44 | 5031T1-015CSR 358.39 | 5037T1-015C 338.44 | 5033T1-015C 979.05 | 617 | | |
| 2 | L-Port | 5022L1-020C 379.35 | 5021L1-020CSR 399.20 | 5027L1-020C 379.35 | 5023L1-020C 1215.68 | 5032L1-020C 442.12 | 5031L1-020CSR 463.73 | 5037L1-020C 442.12 | 5033L1-020C 1276.82 | 617 | | |
| | T-Port | 5022T1-020C 379.35 | 5021T1-020CSR 399.20 | 5027T1-020C 379.35 | 5023T1-020C 1215.68 | 5032T1-020C 442.12 | 5031T1-020CSR 463.73 | 5037T1-020C 442.12 | 5033T1-020C 1276.82 | 617 | | |
| 2-1/2 | L-Port | 5022L1-025C 1278.73 | 5021L1-025CSR 1334.51 | 5027L1-025C 1278.73 | 5023L1-025C 2134.61 | 5032L1-025C 1359.63 | 5031L1-025CSR 1415.62 | 5037L1-025C 1359.63 | 5033L1-025C 2501.60 | 617 | | |
| | T-Port | 5022T1-025C 1278.73 | 5021T1-025CSR 1334.51 | 5027T1-025C 1278.73 | 5023T1-025C 2134.61 | 5032T1-025C 1359.63 | 5031T1-025CSR 1415.62 | 5037T1-025C 1359.63 | 5033T1-025C 2501.60 | 617 | | |
| 3 | L-Port | 5022L1-030C 1304.72 | 5021L1-030CSR 1363.43 | 5027L1-030C 1304.72 | 5023L1-030C 2163.38 | 5032L1-030C 1380.93 | 5031L1-030CSR 1436.91 | 5037L1-030C 1380.93 | 5033L1-030C 2513.13 | 617 | | |
| | T-Port | 5022T1-030C 1304.72 | 5021T1-030CSR 1363.43 | 5027T1-030C 1304.72 | 5023T1-030C 2163.38 | 5032T1-030C 1380.93 | 5031T1-030CSR 1436.91 | 5037T1-030C 1380.93 | 5033T1-030C 2513.13 | 617 | | |
| 4 | L-Port | 5022L1-040C 2362.94 | 5021L1-040CSR 2426.84 | 5027L1-040C 2362.94 | 5023L1-040C 3142.08 | 5032L1-040C 2389.62 | 5031L1-040CSR 2453.65 | 5037L1-040C 2389.62 | 5033L1-040C 3434.33 | 617 | | |
| | T-Port | 5022T1-040C 2362.94 | 5021T1-040CSR 2426.84 | 5027T1-040C 2362.94 | 5023T1-040C 3142.08 | 5032T1-040C 2389.62 | 5031T1-040CSR 2453.65 | 5037T1-040C 2389.62 | 5033T1-040C 3434.33 | 617 | | |

PVC Vertical 3-Way Ball Valves

| Material | | EPDM | | | | | FKM | | | | | Disc Code |
|----------|---------------|----------------------|------------------------|----------------------|----------------------|----------------------|------------------------|----------------------|----------------------|-----|--|-----------|
| Joint | | Socket | SR Thread | Spigot | Flanged | Socket | SR Thread | Spigot | Flanged | | | |
| Size | Ball Port | Part # Price Each | Part # Price Each | Part # Price Each | Part # Price Each | Part # Price Each | Part # Price Each | Part # Price Each | Part # Price Each | | | |
| 1/2 | L-Port | 4722L1-005 102.03 | 4721L1-005SR 103.65 | 4727L1-005 102.03 | 4723L1-005 210.83 | 4732L1-005 110.51 | 4731L1-005SR 112.15 | 4737L1-005 110.51 | 4733L1-005 218.43 | 615 | | |
| | Double L-Port | 4722L2-005 203.20 | 4721L2-005SR 204.83 | 4727L2-005 203.20 | 4723L2-005 311.99 | 4732L2-005 211.68 | 4731L2-005SR 213.33 | 4737L2-005 211.68 | 4733L2-005 319.60 | 615 | | |
| | Triple L-Port | 4722L3-005 203.20 | 4721L3-005SR 204.83 | 4727L3-005 203.20 | 4723L3-005 311.99 | 4732L3-005 211.68 | 4731L3-005SR 213.33 | 4737L3-005 211.68 | 4733L3-005 319.60 | 615 | | |
| | T-Port | 4722T1-005 102.03 | 4721T1-005SR 103.65 | 4727T1-005 102.03 | 4723T1-005 210.83 | 4732T1-005 110.51 | 4731T1-005SR 112.15 | 4737T1-005 110.51 | 4733T1-005 218.43 | 615 | | |
| 3/4 | L-Port | 4722L1-007 119.68 | 4721L1-007SR 123.78 | 4727L1-007 119.68 | 4723L1-007 221.38 | 4732L1-007 130.43 | 4731L1-007SR 134.49 | 4737L1-007 130.43 | 4733L1-007 230.74 | 615 | | |
| | Double L-Port | 4722L2-007 220.86 | 4721L2-007SR 224.92 | 4727L2-007 220.86 | 4723L2-007 322.56 | 4732L2-007 231.60 | 4731L2-007SR 235.66 | 4737L2-007 231.60 | 4733L2-007 331.89 | 615 | | |
| | Triple L-Port | 4722L3-007 220.86 | 4721L3-007SR 224.92 | 4727L3-007 220.86 | 4723L3-007 322.56 | 4732L3-007 231.60 | 4731L3-007SR 235.66 | 4737L3-007 231.60 | 4733L3-007 331.89 | 615 | | |
| | T-Port | 4722T1-007 119.68 | 4721T1-007SR 123.78 | 4727T1-007 119.68 | 4723T1-007 221.38 | 4732T1-007 130.43 | 4731T1-007SR 134.49 | 4737T1-007 130.43 | 4733T1-007 230.74 | 615 | | |
| 1 | L-Port | 4722L1-010 145.49 | 4721L1-010SR 149.58 | 4727L1-010 145.49 | 4723L1-010 315.78 | 4732L1-010 161.98 | 4731L1-010SR 166.03 | 4737L1-010 161.98 | 4733L1-010 341.77 | 615 | | |
| | Double L-Port | 4722L2-010 246.69 | 4721L2-010SR 250.76 | 4727L2-010 246.69 | 4723L2-010 416.96 | 4732L2-010 263.12 | 4731L2-010SR 267.20 | 4737L2-010 263.12 | 4733L2-010 442.94 | 615 | | |
| | Triple L-Port | 4722L3-010 246.69 | 4721L3-010SR 250.76 | 4727L3-010 246.69 | 4723L3-010 416.96 | 4732L3-010 263.12 | 4731L3-010SR 267.20 | 4737L3-010 263.12 | 4733L3-010 442.94 | 615 | | |
| | T-Port | 4722T1-010 145.49 | 4721T1-010SR 149.58 | 4727T1-010 145.49 | 4723T1-010 315.78 | 4732T1-010 161.98 | 4731T1-010SR 166.03 | 4737T1-010 161.98 | 4733T1-010 341.77 | 615 | | |
| 1-1/4 | L-Port | 4722L1-012 175.99 | 4721L1-012SR 184.15 | 4727L1-012 175.99 | 4723L1-012 595.20 | 4732L1-012 207.36 | 4731L1-012SR 215.49 | 4737L1-012 207.36 | 4733L1-012 629.48 | 615 | | |
| | Double L-Port | 4722L2-012 277.17 | 4721L2-012SR 285.31 | 4727L2-012 277.17 | 4723L2-012 696.36 | 4732L2-012 308.53 | 4731L2-012SR 316.65 | 4737L2-012 308.53 | 4733L2-012 730.66 | 615 | | |
| | Triple L-Port | 4722L3-012 277.17 | 4721L3-012SR 285.31 | 4727L3-012 277.17 | 4723L3-012 696.36 | 4732L3-012 308.53 | 4731L3-012SR 316.65 | 4737L3-012 308.53 | 4733L3-012 730.66 | 615 | | |
| | T-Port | 4722T1-012 175.99 | 4721T1-012SR 184.15 | 4727T1-012 175.99 | 4723T1-012 595.20 | 4732T1-012 207.36 | 4731T1-012SR 215.49 | 4737T1-012 207.36 | 4733T1-012 629.48 | 615 | | |



Thermoplastic Valves True Union 2000 Industrial 3-Way Ball Valves

PVC Vertical 3-Way Ball Valves (continued)

| Material | | EPDM | | | | | FKM | | | | | Disc Code |
|----------|---------------|-----------------------|-------------------------|-----------------------|-----------------------|-----------------------|-------------------------|-----------------------|-----------------------|--|--|-----------|
| Joint | | Socket | SR Thread | Spigot | Flanged | Socket | SR Thread | Spigot | Flanged | | | |
| Size | Ball Port | Part # Price Each | Part # Price Each | Part # Price Each | Part # Price Each | Part # Price Each | Part # Price Each | Part # Price Each | Part # Price Each | | | |
| 1-1/2 | L-Port | 4722L1-015 203.52 | 4721L1-015SR 216.54 | 4727L1-015 203.52 | 4723L1-015 617.38 | 4732L1-015 223.11 | 4731L1-015SR 236.11 | 4737L1-015 223.11 | 4733L1-015 636.42 | | | |
| | Double L-Port | 4722L2-015 304.71 | 4721L2-015SR 317.68 | 4727L2-015 304.71 | 4723L2-015 718.53 | 4732L2-015 324.26 | 4731L2-015SR 337.26 | 4737L2-015 324.26 | 4733L2-015 737.58 | | | |
| | Triple L-Port | 4722L3-015 304.71 | 4721L3-015SR 317.68 | 4727L3-015 304.71 | 4723L3-015 718.53 | 4732L3-015 324.26 | 4731L3-015SR 337.26 | 4737L3-015 324.26 | 4733L3-015 737.58 | | | |
| | T-Port | 4722T1-015 203.52 | 4721T1-015SR 216.54 | 4727T1-015 203.52 | 4723T1-015 617.38 | 4732T1-015 223.11 | 4731T1-015SR 236.11 | 4737T1-015 223.11 | 4733T1-015 636.42 | | | |
| 2 | L-Port | 4722L1-020 249.61 | 4721L1-020SR 263.73 | 4727L1-020 249.61 | 4723L1-020 795.60 | 4732L1-020 289.81 | 4731L1-020SR 303.92 | 4737L1-020 289.81 | 4733L1-020 830.80 | | | |
| | Double L-Port | 4722L2-020 350.76 | 4721L2-020SR 364.91 | 4727L2-020 350.76 | 4723L2-020 896.78 | 4732L2-020 390.98 | 4731L2-020SR 405.07 | 4737L2-020 390.98 | 4733L2-020 931.93 | | | |
| | Triple L-Port | 4722L3-020 350.76 | 4721L3-020SR 364.91 | 4727L3-020 350.76 | 4723L3-020 896.78 | 4732L3-020 390.98 | 4731L3-020SR 405.07 | 4737L3-020 390.98 | 4733L3-020 931.93 | | | |
| | T-Port | 4722T1-020 249.61 | 4721T1-020SR 263.73 | 4727T1-020 249.61 | 4723T1-020 795.60 | 4732T1-020 289.81 | 4731T1-020SR 303.92 | 4737T1-020 289.81 | 4733T1-020 830.80 | | | |
| 2-1/2 | L-Port | 4722L1-025 877.91 | 4721L1-025SR 914.28 | 4727L1-025 877.91 | 4723L1-025 1393.58 | 4732L1-025 887.78 | 4731L1-025SR 924.17 | 4737L1-025 887.78 | 4733L1-025 1624.14 | | | |
| | Double L-Port | 4722L2-025 979.05 | 4721L2-025SR 1015.43 | 4727L2-025 979.05 | 4723L2-025 1494.75 | 4732L2-025 988.94 | 4731L2-025SR 1025.31 | 4737L2-025 988.94 | 4733L2-025 1725.31 | | | |
| | Triple L-Port | 4722L3-025 979.05 | 4721L3-025SR 1015.43 | 4727L3-025 979.05 | 4723L3-025 1494.75 | 4732L3-025 988.94 | 4731L3-025SR 1025.31 | 4737L3-025 988.94 | 4733L3-025 1725.31 | | | |
| | T-Port | 4722T1-025 877.91 | 4721T1-025SR 914.28 | 4727T1-025 877.91 | 4723T1-025 1393.58 | 4732T1-025 887.78 | 4731T1-025SR 924.17 | 4737T1-025 887.78 | 4733T1-025 1624.14 | | | |
| 3 | L-Port | 4722L1-030 895.91 | 4721L1-030SR 932.28 | 4727L1-030 895.91 | 4723L1-030 1412.80 | 4732L1-030 903.87 | 4731L1-030SR 940.25 | 4737L1-030 903.87 | 4733L1-030 1634.89 | | | |
| | Double L-Port | 4722L2-030 997.07 | 4721L2-030SR 1033.46 | 4727L2-030 997.07 | 4723L2-030 1513.98 | 4732L2-030 1005.05 | 4731L2-030SR 1041.41 | 4737L2-030 1005.05 | 4733L2-030 1736.04 | | | |
| | Triple L-Port | 4722L3-030 997.07 | 4721L3-030SR 1033.46 | 4727L3-030 997.07 | 4723L3-030 1513.98 | 4732L3-030 1005.05 | 4731L3-030SR 1041.41 | 4737L3-030 1005.05 | 4733L3-030 1736.04 | | | |
| | T-Port | 4722T1-030 895.91 | 4721T1-030SR 932.28 | 4727T1-030 895.91 | 4723T1-030 1412.80 | 4732T1-030 903.87 | 4731T1-030SR 940.25 | 4737T1-030 903.87 | 4733T1-030 1634.89 | | | |
| 4 | L-Port | 4722L1-040 1548.61 | 4721L1-040SR 1590.18 | 4727L1-040 1548.61 | 4723L1-040 2053.91 | 4732L1-040 1563.68 | 4731L1-040SR 1605.25 | 4737L1-040 1563.68 | 4733L1-040 2151.25 | | | |
| | Double L-Port | 4722L2-040 1649.80 | 4721L2-040SR 1691.34 | 4727L2-040 1649.80 | 4723L2-040 2155.07 | 4732L2-040 1664.85 | 4731L2-040SR 1706.43 | 4737L2-040 1664.85 | 4733L2-040 2252.42 | | | |
| | Triple L-Port | 4722L3-040 1649.80 | 4721L3-040SR 1691.34 | 4727L3-040 1649.80 | 4723L3-040 2155.07 | 4732L3-040 1664.85 | 4731L3-040SR 1706.43 | 4737L3-040 1664.85 | 4733L3-040 2252.42 | | | |
| | T-Port | 4722T1-040 1548.61 | 4721T1-040SR 1590.18 | 4727T1-040 1548.61 | 4723T1-040 2053.91 | 4732T1-040 1563.68 | 4731T1-040SR 1605.25 | 4737T1-040 1563.68 | 4733T1-040 2151.25 | | | |

CPVC Vertical 3-Way Ball Valves

| Material | | EPDM | | | | | FKM | | | | | Disc Code |
|----------|---------------|-----------------------|-------------------------|-----------------------|-----------------------|-----------------------|-------------------------|-----------------------|-----------------------|--|--|-----------|
| Joint | | Socket | SR Thread | Spigot | Flanged | Socket | SR Thread | Spigot | Flanged | | | |
| Size | Ball Port | Part # Price Each | Part # Price Each | Part # Price Each | Part # Price Each | Part # Price Each | Part # Price Each | Part # Price Each | Part # Price Each | | | |
| 1/2 | L-Port | 4722L1-005C 156.94 | 4721L1-005CSR 159.53 | 4727L1-005C 156.94 | 4723L1-005C 324.26 | 4732L1-005C 169.93 | 4731L1-005CSR 172.52 | 4737L1-005C 169.93 | 4733L1-005C 336.06 | | | |
| | Double L-Port | 4722L2-005C 312.67 | 4721L2-005CSR 315.08 | 4727L2-005C 312.67 | 4723L2-005C 480.00 | 4732L2-005C 325.66 | 4731L2-005CSR 328.09 | 4737L2-005C 325.66 | 4733L2-005C 491.61 | | | |
| | Triple L-Port | 4722L3-005C 312.67 | 4721L3-005CSR 315.08 | 4727L3-005C 312.67 | 4723L3-005C 480.00 | 4732L3-005C 325.66 | 4731L3-005CSR 328.09 | 4737L3-005C 325.66 | 4733L3-005C 491.61 | | | |
| | T-Port | 4722T1-005C 156.94 | 4721T1-005CSR 159.53 | 4727T1-005C 156.94 | 4723T1-005C 324.26 | 4732T1-005C 169.93 | 4731T1-005CSR 172.52 | 4737T1-005C 169.93 | 4733T1-005C 336.06 | | | |
| 3/4 | L-Port | 4722L1-007C 184.15 | 4721L1-007CSR 190.54 | 4727L1-007C 184.15 | 4723L1-007C 340.56 | 4732L1-007C 200.60 | 4731L1-007CSR 207.00 | 4737L1-007C 200.60 | 4733L1-007C 354.93 | | | |
| | Double L-Port | 4722L2-007C 339.86 | 4721L2-007CSR 345.92 | 4727L2-007C 339.86 | 4723L2-007C 496.13 | 4732L2-007C 356.32 | 4731L2-007CSR 362.56 | 4737L2-007C 356.32 | 4733L2-007C 510.48 | | | |
| | Triple L-Port | 4722L3-007C 339.86 | 4721L3-007CSR 345.92 | 4727L3-007C 339.86 | 4723L3-007C 496.13 | 4732L3-007C 356.32 | 4731L3-007CSR 362.56 | 4737L3-007C 356.32 | 4733L3-007C 510.48 | | | |
| | T-Port | 4722T1-007C 184.15 | 4721T1-007CSR 190.54 | 4727T1-007C 183.68 | 4723T1-007C 340.56 | 4732T1-007C 200.60 | 4731T1-007CSR 207.00 | 4737T1-007C 200.60 | 4733T1-007C 354.93 | | | |
| 1 | L-Port | 4722L1-010C 223.81 | 4721L1-010CSR 230.05 | 4727L1-010C 223.81 | 4723L1-010C 485.72 | 4732L1-010C 249.27 | 4731L1-010CSR 255.51 | 4737L1-010C 249.27 | 4733L1-010C 525.73 | | | |
| | Double L-Port | 4722L2-010C 379.52 | 4721L2-010CSR 385.76 | 4727L2-010C 379.52 | 4723L2-010C 641.43 | 4732L2-010C 404.81 | 4731L2-010CSR 411.07 | 4737L2-010C 404.81 | 4733L2-010C 681.45 | | | |
| | Triple L-Port | 4722L3-010C 379.52 | 4721L3-010CSR 385.76 | 4727L3-010C 379.52 | 4723L3-010C 641.43 | 4732L3-010C 404.81 | 4731L3-010CSR 411.07 | 4737L3-010C 404.81 | 4733L3-010C 681.45 | | | |
| | T-Port | 4722T1-010C 223.81 | 4721T1-010CSR 230.05 | 4727T1-010C 223.81 | 4723T1-010C 485.72 | 4732T1-010C 249.27 | 4731T1-010CSR 255.51 | 4737T1-010C 249.27 | 4733T1-010C 525.73 | | | |

Thermoplastic Valves
True Union 2000 Industrial 3-Way Ball Valves



CPVC Vertical 3-Way Ball Valves (continued)

| Material | | EPDM | | | | | FKM | | | | | Disc Code |
|----------|----------------------|------------------------|--------------------------|------------------------|------------------------|------------------------|--------------------------|------------------------|------------------------|-----|--|-----------|
| Joint | Socket | SR Thread | Spigot | Flanged | Socket | SR Thread | Spigot | Flanged | | | | |
| Size | Part # Price Each | Part # Price Each | Part # Price Each | Part # Price Each | Part # Price Each | Part # Price Each | Part # Price Each | Part # Price Each | | | | |
| 1-1/4 | L-Port | 4722L1-012C 270.75 | 4721L1-012CSR 283.21 | 4727L1-012C 270.75 | 4723L1-012C 915.65 | 4732L1-012C 319.07 | 4731L1-012CSR 331.55 | 4737L1-012C 319.07 | 4733L1-012C 968.48 | 617 | | |
| | Double L-Port | 4722L2-012C 426.29 | 4721L2-012CSR 438.77 | 4727L2-012C 426.29 | 4723L2-012C 1071.22 | 4732L2-012C 474.62 | 4731L2-012CSR 487.97 | 4737L2-012C 474.62 | 4733L2-012C 730.66 | 617 | | |
| | Triple L-Port | 4722L3-012C 426.29 | 4721L3-012CSR 438.77 | 4727L3-012C 426.29 | 4723L3-012C 1071.22 | 4732L3-012C 474.62 | 4731L3-012CSR 487.97 | 4737L3-012C 474.62 | 4733L3-012C 1124.04 | 617 | | |
| | T-Port | 4722T1-012C 270.75 | 4721T1-012CSR 283.21 | 4727T1-012C 270.75 | 4723T1-012C 915.65 | 4732T1-012C 319.07 | 4731T1-012CSR 331.55 | 4737T1-012C 319.07 | 4733T1-012C 968.48 | 617 | | |
| 1-1/2 | L-Port | 4722L1-015C 313.00 | 4721L1-015CSR 333.11 | 4727L1-015C 313.00 | 4723L1-015C 949.80 | 4732L1-015C 343.15 | 4731L1-015CSR 363.23 | 4737L1-015C 343.15 | 4733L1-015C 979.05 | 617 | | |
| | Double L-Port | 4722L2-015C 468.76 | 4721L2-015CSR 488.65 | 4727L2-015C 468.76 | 4723L2-015C 1105.32 | 4732L2-015C 498.89 | 4731L2-015CSR 558.62 | 4737L2-015C 498.89 | 4733L2-015C 1134.78 | 617 | | |
| | Triple L-Port | 4722L3-015C 468.76 | 4721L3-015CSR 488.65 | 4727L3-015C 468.76 | 4723L3-015C 1105.32 | 4732L3-015C 498.89 | 4731L3-015CSR 558.62 | 4737L3-015C 498.89 | 4733L3-015C 1134.78 | 617 | | |
| | T-Port | 4722T1-015C 313.00 | 4721T1-015CSR 333.11 | 4727T1-015C 313.00 | 4723T1-015C 949.80 | 4732T1-015C 343.15 | 4731T1-015CSR 363.23 | 4737T1-015C 343.15 | 4733T1-015C 979.05 | 617 | | |
| 2 | L-Port | 4722L1-020C 384.04 | 4721L1-020CSR 405.67 | 4727L1-020C 384.04 | 4723L1-020C 1223.99 | 4732L1-020C 445.86 | 4731L1-020CSR 467.52 | 4737L1-020C 445.86 | 4733L1-020C 1278.04 | 617 | | |
| | Double L-Port | 4722L2-020C 539.61 | 4721L2-020CSR 561.41 | 4727L2-020C 539.61 | 4723L2-020C 1332.96 | 4732L2-020C 601.44 | 4731L2-020CSR 623.06 | 4737L2-020C 601.44 | 4733L2-020C 1433.76 | 617 | | |
| | Triple L-Port | 4722L3-020C 539.61 | 4721L3-020CSR 561.41 | 4727L3-020C 539.61 | 4723L3-020C 1332.96 | 4732L3-020C 601.44 | 4731L3-020CSR 623.06 | 4737L3-020C 601.44 | 4733L3-020C 1433.76 | 617 | | |
| | T-Port | 4722T1-020C 384.04 | 4721T1-020CSR 405.67 | 4727T1-020C 384.04 | 4723T1-020C 1223.99 | 4732T1-020C 445.86 | 4731T1-020CSR 467.52 | 4737T1-020C 445.86 | 4733T1-020C 1278.04 | 617 | | |
| 2-1/2 | L-Port | 4722L1-025C 1350.63 | 4721L1-025CSR 1406.56 | 4727L1-025C 1350.63 | 4723L1-025C 2143.79 | 4732L1-025C 1365.85 | 4731L1-025CSR 1421.81 | 4737L1-025C 1365.85 | 4733L1-025C 2498.75 | 617 | | |
| | Double L-Port | 4722L2-025C 1506.17 | 4721L2-025CSR 1544.08 | 4727L2-025C 1506.17 | 4723L2-025C 2299.54 | 4732L2-025C 1521.42 | 4731L2-025CSR 1577.38 | 4737L2-025C 1521.42 | 4733L2-025C 2654.31 | 617 | | |
| | Triple L-Port | 4722L3-025C 1506.17 | 4721L3-025CSR 1544.08 | 4727L3-025C 1506.17 | 4723L3-025C 2299.54 | 4732L3-025C 1521.42 | 4731L3-025CSR 1577.38 | 4737L3-025C 1521.42 | 4733L3-025C 2654.31 | 617 | | |
| | T-Port | 4722T1-025C 1350.63 | 4721T1-025CSR 1406.56 | 4727T1-025C 1350.63 | 4723T1-025C 2143.79 | 4732T1-025C 1365.85 | 4731T1-025CSR 1421.81 | 4737T1-025C 1365.85 | 4733T1-025C 2498.75 | 617 | | |
| 3 | L-Port | 4722L1-030C 1378.33 | 4721L1-030CSR 1434.28 | 4727L1-030C 1378.33 | 4723L1-030C 2173.62 | 4732L1-030C 1390.47 | 4731L1-030CSR 1446.60 | 4737L1-030C 1390.47 | 4733L1-030C 2515.20 | 617 | | |
| | Double L-Port | 4722L2-030C 1533.91 | 4721L2-030CSR 1571.82 | 4727L2-030C 1533.91 | 4723L2-030C 2329.15 | 4732L2-030C 1546.18 | 4731L2-030CSR 1602.15 | 4737L2-030C 1546.18 | 4733L2-030C 2670.75 | 617 | | |
| | Triple L-Port | 4722L3-030C 1533.91 | 4721L3-030CSR 1571.82 | 4727L3-030C 1533.91 | 4723L3-030C 2329.15 | 4732L3-030C 1546.18 | 4731L3-030CSR 1602.15 | 4737L3-030C 1546.18 | 4733L3-030C 2670.75 | 617 | | |
| | T-Port | 4722T1-030C 1378.33 | 4721T1-030CSR 1434.28 | 4727T1-030C 1378.33 | 4723T1-030C 2173.62 | 4732T1-030C 1390.47 | 4731T1-030CSR 1446.60 | 4737T1-030C 1390.47 | 4733T1-030C 2515.20 | 617 | | |
| 4 | L-Port | 4722L1-040C 2382.52 | 4721L1-040CSR 2446.43 | 4727L1-040C 2382.52 | 4723L1-040C 3191.12 | 4732L1-040C 2405.72 | 4731L1-040CSR 2469.64 | 4737L1-040C 2405.72 | 4733L1-040C 3309.60 | 617 | | |
| | Double L-Port | 4722L2-040C 2538.05 | 4721L2-040CSR 2601.98 | 4727L2-040C 2538.05 | 4723L2-040C 3315.47 | 4732L2-040C 2561.27 | 4731L2-040CSR 2625.20 | 4737L2-040C 2561.27 | 4733L2-040C 3465.15 | 617 | | |
| | Triple L-Port | 4722L3-040C 2538.05 | 4721L3-040CSR 2601.98 | 4727L3-040C 2538.05 | 4723L3-040C 3315.47 | 4732L3-040C 2561.27 | 4731L3-040CSR 2625.20 | 4737L3-040C 2561.27 | 4733L3-040C 3465.15 | 617 | | |
| | T-Port | 4722T1-040C 2382.52 | 4721T1-040CSR 2446.43 | 4727T1-040C 2382.52 | 4723T1-040C 3191.12 | 4732T1-040C 2405.72 | 4731T1-040CSR 2469.64 | 4737T1-040C 2405.72 | 4733T1-040C 3309.60 | 617 | | |



Thermoplastic Valves Tee-Style "Zero Dead-Leg" Ball Valves

Valves are produced to order in Ball Valve sizes 1/2" – 2".
Tee Valves can be custom produced in any standard
Tee and Valve size combination.

The Tee Valve is assembled with socket end connector.
Tee Valves are a non-stock configuration.
All orders are non-cancelable, non-returnable.



Pressure Rating @ 73°F (23°C), Water
Valve Sizes 1/2" - 2" (20mm - 63mm) = 235 psi
Maximum Service Temperature
PVC = 140°F (60°C)
CPVC = 200°F (93°C)
Temperature/Pressure De-ratings Apply

PVC

| Size | EPDM | FKM | Std Pk | Mstr Pk | Disc Code |
|-------------------------------------------|-----------------------------|-----------------------------|-----------|------------|--------------|
| Mainline Socket Tee x Valve Socket | | | | | |
| 1/2 | 182901-005 163.19 | 183901-005 175.80 | 1 | 12 | 263 |
| 3/4 | 182901-007 178.35 | 183901-007 192.79 | 1 | 8 | 263 |
| 1 | 182901-010 181.71 | 183901-010 203.39 | 1 | 8 | 263 |
| 2 | 182901-020 301.16 | 183901-020 351.61 | 1 | 0 | 263 |
| 3/4X1/2 | 182901-101 165.91 | 183901-101 178.48 | 1 | 12 | 263 |
| 1X1/2 | 182901-130 171.36 | 183901-130 183.99 | 1 | 8 | 263 |
| 1X3/4 | 182901-131 181.71 | 183901-131 203.39 | 1 | 8 | 263 |
| 1-1/4X1/2 | 182901-166 180.55 | 183901-166 193.15 | 1 | 8 | 263 |
| 1-1/4X3/4 | 182901-167 185.06 | 183901-167 199.53 | 1 | 8 | 263 |
| 1-1/4X1 | 182901-168 197.72 | 183901-168 219.42 | 1 | 8 | 263 |
| 1-1/2X1/2 | 182901-209 180.55 | 183901-209 193.17 | 1 | 8 | 263 |
| 1-1/2X3/4 | 182901-210 185.06 | 183901-210 199.53 | 1 | 8 | 263 |
| 1-1/2X1 | 182901-211 197.72 | 183901-211 219.42 | 1 | 8 | 263 |
| 2X1/2 | 182901-247 233.48 | 183901-247 246.17 | 1 | 8 | 263 |
| 2X3/4 | 182901-248 240.39 | 183901-248 254.80 | 1 | 8 | 263 |
| 2X1 | 182901-249 250.64 | 183901-249 272.35 | 1 | 8 | 263 |
| 2X1-1/2 | 182901-251 309.25 | 183901-251 336.34 | 1 | 8 | 263 |
| 3X1/2 | 182901-333 238.23 | 183901-333 250.85 | 1 | 0 | 263 |
| 3X1 | 182901-335 255.26 | 183901-335 276.96 | 1 | 4 | 263 |
| 3X1-1/2 | 182901-337 292.86 | 183901-337 319.97 | 1 | 0 | 263 |
| 3X2 | 182901-338 318.44 | 183901-338 368.92 | 1 | 0 | 263 |
| 4X1 | 182901-417 295.06 | 183901-417 316.75 | 1 | 0 | 263 |
| 4X1-1/2 | 182901-419 332.68 | 183901-419 359.77 | 1 | 0 | 263 |
| 4X2 | 182901-420 392.35 | 183901-420 442.83 | 1 | 0 | 263 |
| 6X2 | 182901-528 461.26 | 183901-528 511.75 | 1 | 0 | 263 |
| 8X2 | 182901-578 703.81 | 183901-578 754.31 | 1 | 0 | 263 |

CPVC

| Size | EPDM | FKM | Std Pk | Mstr Pk | Disc Code |
|-------------------------------------------|------------------------------|------------------------------|-----------|------------|--------------|
| Mainline Socket Tee x Valve Socket | | | | | |
| 1/2 | 182901-005C 251.47 | 183901-005C 263.35 | 1 | 12 | 264 |
| 3/4 | 182901-007C 274.80 | 183901-007C 288.40 | 1 | 8 | 264 |

CPVC (continued)

| Size | EPDM | FKM | Std Pk | Mstr Pk | Disc Code |
|-------------------------------------------|-------------------------------|-------------------------------|-----------|------------|--------------|
| Mainline Socket Tee x Valve Socket | | | | | |
| 1 | 182901-010C 279.99 | 183901-010C 300.41 | 1 | 8 | 264 |
| 2 | 182901-020C 305.92 | 183901-020C 353.36 | 1 | 4 | 264 |
| 3/4X1/2 | 182901-101C 255.63 | 183901-101C 267.48 | 1 | 12 | 264 |
| 1X1/2 | 182901-130C 231.83 | 183901-130C 277.07 | 1 | 8 | 264 |
| 1X3/4 | 182901-131C 279.99 | 183901-131C 293.61 | 1 | 8 | 264 |
| 1-1/4X1/2 | 182901-166C 283.69 | 183901-166C 295.58 | 1 | 8 | 264 |
| 1-1/4X3/4 | 182901-167C 285.19 | 183901-167C 298.78 | 1 | 8 | 264 |
| 1-1/4X1 | 182901-168C 326.88 | 183901-168C 347.29 | 1 | 8 | 264 |
| 1-1/2X1/2 | 182901-209C 318.65 | 183901-209C 329.88 | 1 | 8 | 264 |
| 1-1/2X3/4 | 182901-210C 327.88 | 183901-210C 335.95 | 1 | 8 | 264 |
| 1-1/2X1 | 182901-211C 339.20 | 183901-211C 347.29 | 1 | 8 | 264 |
| 2X1/2 | 182901-247C 363.89 | 183901-247C 375.75 | 1 | 8 | 264 |
| 2X3/4 | 182901-248C 392.64 | 183901-248C 406.24 | 1 | 8 | 264 |
| 2X1 | 182901-249C 413.22 | 183901-249C 433.63 | 1 | 8 | 264 |
| 2X1-1/2 | 182901-251C 485.20 | 183901-251C 510.64 | 1 | 0 | 264 |
| 3X1/2 | 182901-333C 479.02 | 183901-333C 490.88 | 1 | 0 | 264 |
| 3X1 | 182901-335C 501.63 | 183901-335C 522.04 | 1 | 0 | 264 |
| 3X1-1/2 | 182901-337C 571.54 | 183901-337C 596.99 | 1 | 0 | 264 |
| 3X2 | 182901-338C 627.05 | 183901-338C 674.49 | 1 | 0 | 264 |
| 4X1 | 182901-417C 616.77 | 183901-417C 637.18 | 1 | 0 | 264 |
| 4X1-1/2 | 182901-419C 686.65 | 183901-419C 712.13 | 1 | 0 | 264 |
| 4X2 | 182901-420C 818.23 | 183901-420C 865.67 | 1 | 0 | 264 |
| 6X2 | 182901-528C 1068.74 | 183901-528C 1116.17 | 1 | 0 | 264 |
| 8X2 | 182901-578C 1576.85 | 183901-578C 1624.31 | 1 | 0 | 264 |

PVC Metric

| Size | EPDM | FKM | Std Pk | Mstr Pk | Disc Code |
|-------------------------------------------|------------------------------|------------------------------|-----------|------------|--------------|
| Mainline Socket Tee x Valve Socket | | | | | |
| 20 | 182901M-020 163.19 | 183901M-020 175.80 | 1 | 8 | 263 |
| 25 | 182901M-025 178.35 | 183901M-025 192.79 | 1 | 8 | 263 |
| 32 | 182901M-032 181.71 | 183901M-032 203.39 | 1 | 8 | 263 |
| 40 | 182901M-040 252.48 | 183901M-040 270.74 | 1 | 8 | 263 |

Thermoplastic Valves
Tee-Style "Zero Dead-Leg" Ball Valves & True Union 2000 Standard Ball Valves



Tee-Style "Zero Dead-Leg" Ball Valves

PVC Metric (continued)

| Size | EPDM | FKM | Std Pk | Mstr Pk | Disc Code |
|-------------------------------------------|------------------------------|------------------------------|--------|---------|-----------|
| Mainline Socket Tee x Valve Socket | | | | | |
| 50 | 182901M-050 264.35 | 183901M-050 342.67 | 1 | 8 | 263 |
| 63 | 182901M-063 301.16 | 183901M-063 351.61 | 1 | 8 | 263 |

CPVC Metric

| Size | EPDM | FKM | Std Pk | Mstr Pk | Disc Code |
|-------------------------------------------|-------------------------------|-------------------------------|--------|---------|-----------|
| Mainline Socket Tee x Valve Socket | | | | | |
| 20 | 182901M-020C 251.47 | 183901M-020C 263.35 | 1 | 8 | 264 |

CPVC Metric (continued)

| Size | EPDM | FKM | Std Pk | Mstr Pk | Disc Code |
|-------------------------------------------|-------------------------------|-------------------------------|--------|---------|-----------|
| Mainline Socket Tee x Valve Socket | | | | | |
| 25 | 182901M-025C 292.34 | 183901M-025C 288.40 | 1 | 8 | 263 |
| 32 | 182901M-032C 279.99 | 183901M-032C 300.41 | 1 | 8 | 264 |
| 40 | 182901M-040C 283.87 | 183901M-040C 302.98 | 1 | 8 | 264 |
| 50 | 182901M-050C 288.93 | 183901M-050C 340.43 | 1 | 8 | 264 |
| 63 | 182901M-063C 305.92 | 183901M-063C 353.36 | 1 | 8 | 264 |

True Union 2000 Standard Ball Valves



Socket Style

Pressure Rating @ 73°F (23°C), Water
 1/2" - 2" = 235 psi
 2-1/2" - 4" = 150 psi
 Flanged = 150 psi

Maximum Service Temperature
 PVC = 140°F (60°C)
 CPVC = 200°F (93°C)

Temperature/Pressure De-ratings Apply
 All Valves Assembled with Silicone-Free, Water Soluble Lubricant
 See Ball Valve Accessories & Repair Kits Section for Additional Options and Features

PVC Standard

| Size | EPDM | FKM | Std Pk | Mstr Pk | Disc Code |
|-----------------------------------|---------------------------|---------------------------|--------|---------|-----------|
| Socket & Threaded Ends | | | | | |
| 1/2 | 3629-005 39.77 | 3639-005 44.23 | 1 | 18 | 608 |
| 3/4 | 3629-007 47.03 | 3639-007 52.32 | 1 | 18 | 608 |
| 1 | 3629-010 56.02 | 3639-010 62.40 | 1 | 12 | 608 |
| 1-1/4 | 3629-012 77.48 | 3639-012 98.91 | 1 | 8 | 608 |
| 1-1/2 | 3629-015 93.35 | 3639-015 103.62 | 1 | 8 | 608 |
| 2 | 3629-020 123.18 | 3639-020 135.62 | 1 | 4 | 608 |

Socket Ends

| | | | | | |
|--------------|---------------------------|---------------------------|---|---|-----|
| 2-1/2 | 3622-025 235.95 | 3632-025 320.80 | 1 | 0 | 609 |
| 3 | 3622-030 312.14 | 3632-030 346.81 | 1 | 0 | 609 |
| 4 | 3622-040 527.23 | 3632-040 586.01 | 1 | 0 | 609 |

Threaded Ends

| | | | | | |
|--------------|---------------------------|---------------------------|---|---|-----|
| 2-1/2 | 3621-025 235.95 | 3631-025 320.80 | 1 | 0 | 609 |
| 3 | 3621-030 312.14 | 3631-030 346.81 | 1 | 0 | 609 |
| 4 | 3621-040 527.23 | 3631-040 586.01 | 1 | 0 | 609 |

SR Threaded Ends

| | | | | | |
|--------------|-----------------------------|-----------------------------|---|----|-----|
| 1/2 | 3621-005SR 40.63 | 3631-005SR 45.08 | 1 | 18 | 608 |
| 3/4 | 3621-007SR 49.06 | 3631-007SR 54.39 | 1 | 18 | 608 |
| 1 | 3621-010SR 58.06 | 3631-010SR 64.44 | 1 | 18 | 608 |
| 1-1/4 | 3621-012SR 83.67 | 3631-012SR 105.08 | 1 | 12 | 608 |
| 1-1/2 | 3621-015SR 99.98 | 3631-015SR 110.24 | 1 | 8 | 608 |
| 2 | 3621-020SR 130.35 | 3631-020SR 142.81 | 1 | 8 | 608 |

PVC Standard (continued)

| Size | EPDM | FKM | Std Pk | Mstr Pk | Disc Code |
|-------------------------|-----------------------------|-----------------------------|--------|---------|-----------|
| SR Threaded Ends | | | | | |
| 2-1/2 | 3621-025SR 256.11 | 3631-025SR 340.14 | 1 | 0 | 609 |
| 3 | 3621-030SR 331.52 | 3631-030SR 366.17 | 1 | 0 | 609 |
| 4 | 3621-040SR 550.00 | 3631-040SR 608.60 | 1 | 0 | 609 |

Spigot Ends

| | | | | | |
|--------------|---------------------------|---------------------------|---|----|-----|
| 1/2 | 3627-005 39.77 | 3637-005 44.23 | 1 | 18 | 608 |
| 3/4 | 3627-007 47.03 | 3637-007 52.32 | 1 | 18 | 608 |
| 1 | 3627-010 56.02 | 3637-010 62.40 | 1 | 12 | 608 |
| 1-1/4 | 3627-012 77.48 | 3637-012 98.91 | 1 | 12 | 608 |
| 1-1/2 | 3627-015 93.35 | 3637-015 103.62 | 1 | 8 | 608 |
| 2 | 3627-020 123.18 | 3637-020 135.62 | 1 | 8 | 608 |
| 2-1/2 | 3627-025 236.74 | 3637-025 320.80 | 1 | 0 | 609 |
| 3 | 3627-030 312.14 | 3637-030 346.81 | 1 | 0 | 609 |
| 4 | 3627-040 527.23 | 3637-040 586.01 | 1 | 0 | 609 |

Flanged Ends

| | | | | | |
|--------------|---------------------------|---------------------------|---|---|-----|
| 1/2 | 3623-005 56.87 | 3633-005 60.65 | 1 | 8 | 608 |
| 3/4 | 3623-007 72.05 | 3633-007 78.36 | 1 | 8 | 608 |
| 1 | 3623-010 87.18 | 3633-010 93.75 | 1 | 8 | 608 |
| 1-1/4 | 3623-012 102.35 | 3633-012 113.76 | 1 | 4 | 608 |
| 1-1/2 | 3623-015 128.93 | 3633-015 140.29 | 1 | 4 | 608 |
| 2 | 3623-020 205.28 | 3633-020 217.74 | 1 | 0 | 608 |



Thermoplastic Valves True Union 2000 Standard Ball Valves

PVC Standard (continued)

| Size | EPDM | FKM | Std Pk | Mstr Pk | Disc Code |
|---------------------|---------------------------|---------------------------|--------|---------|-----------|
| Flanged Ends | | | | | |
| 2-1/2 | 3623-025 379.14 | 3633-025 385.41 | 1 | 0 | 609 |
| 3 | 3623-030 392.87 | 3633-030 520.28 | 1 | 0 | 609 |
| 4 | 3623-040 842.57 | 3633-040 976.66 | 1 | 0 | 609 |

PVC White Standard

| Part Number | Size | Std Pk | Mstr Ctn | Disc Code | Price Each |
|-------------|------|--------|----------|-----------|------------|
|-------------|------|--------|----------|-----------|------------|

Socket EPDM

| | | | | | |
|-----------|--------------|---|---|-----|--------|
| 3622-015W | 1-1/2 | 1 | 8 | 608 | 93.35 |
| 3622-020W | 2 | 1 | 8 | 608 | 123.18 |

PVC White Standard

| Part Number | Size | Std Pk | Mstr Ctn | Disc Code | Price Each |
|-------------|------|--------|----------|-----------|------------|
|-------------|------|--------|----------|-----------|------------|

SR Threaded Ends EPDM

| | | | | | |
|-------------|--------------|---|---|-----|--------|
| 3621-015WSR | 1-1/2 | 1 | 8 | 608 | 99.98 |
| 3621-020WSR | 2 | 1 | 8 | 608 | 130.35 |

CPVC Standard

| Size | EPDM | FKM | Std Pk | Mstr Pk | Disc Code |
|-----------------------------------|----------------------------|----------------------------|--------|---------|-----------|
| Socket & Threaded Ends | | | | | |
| 1/2 | 3629-005C 52.48 | 3639-005C 58.36 | 1 | 18 | 610 |
| 3/4 | 3629-007C 66.13 | 3639-007C 73.49 | 1 | 18 | 610 |
| 1 | 3629-010C 78.73 | 3639-010C 87.47 | 1 | 12 | 610 |
| 1-1/4 | 3629-012C 125.16 | 3639-012C 139.11 | 1 | 8 | 610 |
| 1-1/2 | 3629-015C 132.16 | 3639-015C 146.85 | 1 | 8 | 610 |
| 2 | 3629-020C 176.78 | 3639-020C 203.21 | 1 | 4 | 610 |

Socket Ends

| | | | | | |
|--------------|----------------------------|----------------------------|---|---|-----|
| 2-1/2 | 3622-025C 396.31 | 3632-025C 440.32 | 1 | 0 | 611 |
| 3 | 3622-030C 463.39 | 3632-030C 514.91 | 1 | 0 | 611 |
| 4 | 3622-040C 839.66 | 3632-040C 932.96 | 1 | 0 | 611 |

Threaded Ends

| | | | | | |
|--------------|----------------------------|----------------------------|---|---|-----|
| 2-1/2 | 3621-025C 396.31 | 3631-025C 440.32 | 1 | 0 | 611 |
| 3 | 3621-030C 463.39 | 3631-030C 514.91 | 1 | 0 | 611 |
| 4 | 3621-040C 839.66 | 3631-040C 932.96 | 1 | 0 | 611 |

SR Threaded Ends

| | | | | | |
|--------------|------------------------------|------------------------------|---|----|-----|
| 1/2 | 3621-005CSR 53.34 | 3631-005CSR 59.19 | 1 | 18 | 610 |
| 3/4 | 3621-007CSR 68.21 | 3631-007CSR 75.56 | 1 | 18 | 610 |
| 1 | 3621-010CSR 80.77 | 3631-010CSR 89.48 | 1 | 18 | 610 |
| 1-1/4 | 3621-012CSR 131.34 | 3631-012CSR 145.26 | 1 | 12 | 610 |
| 1-1/2 | 3621-015CSR 138.17 | 3631-015CSR 153.47 | 1 | 8 | 610 |
| 2 | 3621-020CSR 183.94 | 3631-020CSR 210.39 | 1 | 8 | 610 |
| 2-1/2 | 3621-025CSR 415.65 | 3631-025CSR 459.67 | 1 | 0 | 611 |
| 3 | 3621-030CSR 482.73 | 3631-030CSR 534.25 | 1 | 0 | 611 |
| 4 | 3621-040CSR 862.26 | 3631-040CSR 956.28 | 1 | 0 | 611 |

Spigot Ends

| | | | | | |
|------------|---------------------------|---------------------------|---|----|-----|
| 1/2 | 3627-005C 52.48 | 3637-005C 58.36 | 1 | 18 | 610 |
|------------|---------------------------|---------------------------|---|----|-----|

CPVC Standard (continued)

| Size | EPDM | FKM | Std Pk | Mstr Pk | Disc Code |
|--------------------|----------------------------|----------------------------|--------|---------|-----------|
| Spigot Ends | | | | | |
| 3/4 | 3627-007C 66.13 | 3637-007C 73.49 | 1 | 18 | 610 |
| 1 | 3627-010C 78.73 | 3637-010C 87.47 | 1 | 12 | 610 |
| 1-1/4 | 3627-012C 125.16 | 3637-012C 139.11 | 1 | 12 | 610 |
| 1-1/2 | 3627-015C 132.16 | 3637-015C 146.85 | 1 | 8 | 610 |
| 2 | 3627-020C 176.78 | 3637-020C 203.21 | 1 | 8 | 610 |
| 2-1/2 | 3627-025C 396.31 | 3637-025C 440.32 | 1 | 0 | 611 |
| 3 | 3627-030C 463.39 | 3637-030C 514.91 | 1 | 0 | 611 |
| 4 | 3627-040C 839.66 | 3637-040C 932.96 | 1 | 0 | 611 |

Flanged Ends

| | | | | | |
|--------------|-----------------------------|-----------------------------|---|---|-----|
| 1/2 | 3623-005C 89.08 | 3633-005C 91.01 | 1 | 8 | 610 |
| 3/4 | 3623-007C 109.19 | 3633-007C 113.80 | 1 | 8 | 610 |
| 1 | 3623-010C 125.01 | 3633-010C 132.71 | 1 | 8 | 610 |
| 1-1/4 | 3623-012C 186.79 | 3633-012C 193.34 | 1 | 4 | 610 |
| 1-1/2 | 3623-015C 205.47 | 3633-015C 212.31 | 1 | 4 | 610 |
| 2 | 3623-020C 285.91 | 3633-020C 340.49 | 1 | 0 | 610 |
| 2-1/2 | 3623-025C 533.62 | 3633-025C 640.52 | 1 | 0 | 611 |
| 3 | 3623-030C 731.60 | 3633-030C 798.18 | 1 | 0 | 611 |
| 4 | 3623-040C 1368.66 | 3633-040C 1423.40 | 1 | 0 | 611 |

Thermoplastic Valves

True Union 2000 Industrial Retrofit Ball Valves - Replaces Other Brand Valves



Industrial Valve

Complete universal replacement valve for domestic and import PVC or CPVC valve. See separate catalog listing for retrofit replacement of older Spears® valves.

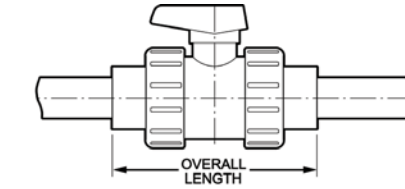
Retrofit valve consists of Spears® Industrial True Union 2000 Ball Valve supplied with factory installed extended-socket end connectors. Simply cut out old valve to specified dimensions and install Retrofit Valve end connectors.

Pressure Rating @ 73°F (23°C), Water
1/2" - 4" = 235 psi

All Valves Assembled with Silicone-Free, Water Soluble Lubricant

Suitable for Vacuum Service

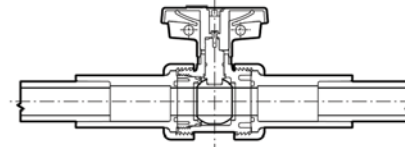
Retrofit End Connector Sets without valve are also available - See Ball Valve Accessories & Repair Kits



BALL VALVE FOR REPLACEMENT



PIPE LAYING LENGTH AFTER CUTTING



TRUE UNION 2000 INDUSTRIAL BALL VALVE INSTALLED WITH RETROFIT KIT

| Size | 1/2 | 3/4 | 1 | 1-1/4 | 1-1/2 | 2 | 2-1/2 | 3 | 4 |
|------|---------|--------|--------|-------|-------|---------|--------|---------|----------|
| L | 4-29/32 | 5-7/16 | 6-3/32 | 7-1/4 | 7-1/2 | 8-17/32 | 10-3/4 | 11-7/16 | 14-15/16 |

PVC - Socket Ends

| Size | EPDM | FKM | Std Pk | Mstr Pk | Disc Code |
|--------------|----------------------------|----------------------------|--------|---------|-----------|
| 1/2 | 1822R-005 49.69 | 1832R-005 55.27 | 1 | 18 | 600 |
| 3/4 | 1822R-007 58.80 | 1832R-007 65.41 | 1 | 18 | 600 |
| 1 | 1822R-010 70.02 | 1832R-010 77.99 | 1 | 12 | 600 |
| 1-1/4 | 1822R-012 96.86 | 1832R-012 123.64 | 1 | 8 | 600 |
| 1-1/2 | 1822R-015 116.67 | 1832R-015 129.52 | 1 | 8 | 600 |
| 2 | 1822R-020 153.96 | 1832R-020 169.54 | 1 | 4 | 600 |
| 2-1/2 | 1822R-025 295.95 | 1832R-025 401.01 | 1 | 0 | 601 |
| 3 | 1822R-030 390.18 | 1832R-030 433.54 | 1 | 0 | 601 |
| 4 | 1822R-040 659.24 | 1832R-040 732.49 | 1 | 0 | 601 |

CPVC - Socket Ends

| Size | EPDM | FKM | Std Pk | Mstr Pk | Disc Code |
|--------------|------------------------------|------------------------------|--------|---------|-----------|
| 1/2 | 1822R-005C 65.63 | 1832R-005C 72.93 | 1 | 18 | 602 |
| 3/4 | 1822R-007C 82.65 | 1832R-007C 91.86 | 1 | 18 | 602 |
| 1 | 1822R-010C 98.40 | 1832R-010C 109.33 | 1 | 12 | 602 |
| 1-1/4 | 1822R-012C 156.43 | 1832R-012C 173.86 | 1 | 8 | 602 |
| 1-1/2 | 1822R-015C 165.21 | 1832R-015C 183.57 | 1 | 8 | 602 |
| 2 | 1822R-020C 220.95 | 1832R-020C 254.00 | 1 | 4 | 602 |
| 2-1/2 | 1822R-025C 495.39 | 1832R-025C 550.40 | 1 | 0 | 603 |
| 3 | 1822R-030C 579.22 | 1832R-030C 643.63 | 1 | 0 | 603 |
| 4 | 1822R-040C 1049.59 | 1832R-040C 1166.19 | 1 | 0 | 603 |



Thermoplastic Valves
True Union 2000 Industrial Retrofit Ball Valves - Replaces Spears® "Regular Style" Valves



Industrial Valve

Complete replacement valve for older Spears® 2300 Series Regular True Union Ball Valves. See separate catalog listing for replacement of other brand valves.

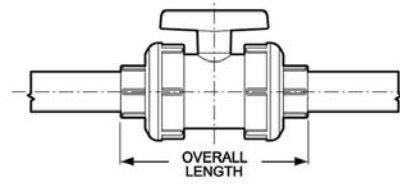
Retrofit valve consists of Spears® Industrial True Union 2000 Ball Valve supplied with factory installed extended-socket end connectors. Simply cut out old valve to specified dimensions and install Retrofit Valve end connectors.

Pressure Rating @ 73°F (23°C), Water
 1/2" - 4" 235 psi

All Valves Assembled with Silicone-Free, Water Soluble Lubricant

Suitable for Vacuum Service

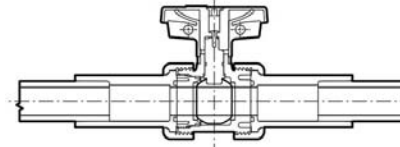
Retrofit End Connector Sets without valve are also available - See Ball Valve Accessories & Repair Kits



BALL VALVE FOR REPLACEMENT



PIPE LAYING LENGTH AFTER CUTTING



TRUE UNION 2000 INDUSTRIAL BALL VALVE INSTALLED WITH RETROFIT KIT

| Size | 1/2 | 3/4 | 1 | 1-1/4 | 1-1/2 | 2 | 2-1/2 | 3 | 4 |
|------|--------|-------|---------|-------|--------|---------|-------|---------|---------|
| L | 5-5/16 | 6-1/4 | 6-11/16 | 7-1/8 | 8-3/16 | 8-15/16 | 12 | 12-1/16 | 13-3/16 |

PVC - Socket Ends

| Size | EPDM | FKM | Std Pk | Mstr Pk | Disc Code |
|-------|----------------------|----------------------|--------|---------|-----------|
| 1/2 | 1822RS-005 49.69 | 1832RS-005 55.27 | 1 | 18 | 600 |
| 3/4 | 1822RS-007 58.80 | 1832RS-007 65.41 | 1 | 18 | 600 |
| 1 | 1822RS-010 70.02 | 1832RS-010 77.99 | 1 | 12 | 600 |
| 1-1/4 | 1822RS-012 96.86 | 1832RS-012 123.64 | 1 | 8 | 600 |
| 1-1/2 | 1822RS-015 116.67 | 1832RS-015 129.52 | 1 | 8 | 600 |
| 2 | 1822RS-020 153.96 | 1832RS-020 169.54 | 1 | 4 | 600 |
| 2-1/2 | 1822RS-025 295.95 | 1832RS-025 401.01 | 1 | 0 | 601 |
| 3 | 1822RS-030 390.18 | 1832RS-030 433.54 | 1 | 0 | 601 |
| 4 | 1822RS-040 659.24 | 1832RS-040 732.49 | 1 | 0 | 601 |

CPVC - Socket Ends

| Size | EPDM | FKM | Std Pk | Mstr Pk | Disc Code |
|-------|------------------------|------------------------|--------|---------|-----------|
| 1/2 | 1822RS-005C 65.63 | 1832RS-005C 72.93 | 1 | 18 | 602 |
| 3/4 | 1822RS-007C 82.65 | 1832RS-007C 91.86 | 1 | 18 | 602 |
| 1 | 1822RS-010C 98.40 | 1832RS-010C 109.33 | 1 | 12 | 602 |
| 1-1/4 | 1822RS-012C 156.43 | 1832RS-012C 173.86 | 1 | 8 | 602 |
| 1-1/2 | 1822RS-015C 165.21 | 1832RS-015C 183.57 | 1 | 8 | 602 |
| 2 | 1822RS-020C 220.95 | 1832RS-020C 254.00 | 1 | 4 | 602 |
| 2-1/2 | 1822RS-025C 495.39 | 1832RS-025C 550.40 | 1 | 0 | 603 |
| 3 | 1822RS-030C 579.22 | 1832RS-030C 643.63 | 1 | 0 | 603 |
| 4 | 1822RS-040C 1049.59 | 1832RS-040C 1166.19 | 1 | 0 | 603 |

Thermoplastic Valves

True Union 2000 Standard Retrofit Ball Valves - Replaces Other Brand Valves



Standard Valve

Complete universal replacement valve for domestic and import PVC or CPVC valve. See separate catalog listing for retrofit replacement of older Spears® valves.

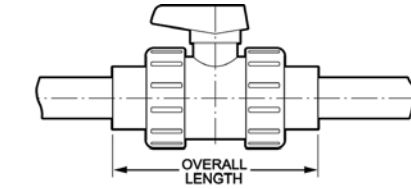
Retrofit valve consists of Spears® Standard True Union 2000 Ball Valve supplied with factory installed extended-socket end connectors. Simply cut out old valve to specified dimensions and install Retrofit Valve end connectors.

Pressure Rating @ 73°F (23°C), Water
 1/2" - 2" 235 psi
 2-1/2" - 4" 150 psi

All Valves Assembled with Silicone-Free, Water Soluble Lubricant.

Suitable for Vacuum Service.

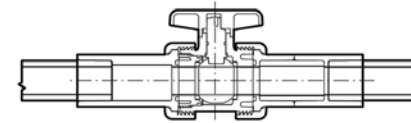
Retrofit End Connector Sets without valve are also available - See Ball Valve Accessories & Repair Kits



BALL VALVE FOR REPLACEMENT



PIPE LAYING LENGTH AFTER CUTTING



TRUE UNION 2000 STANDARD BALL VALVE INSTALLED WITH RETROFIT KIT

| Size | 1/2 | 3/4 | 1 | 1-1/4 | 1-1/2 | 2 | 2-1/2 | 3 | 4 |
|------|---------|--------|--------|-------|-------|---------|--------|---------|----------|
| L | 4-29/32 | 5-7/16 | 6-3/32 | 7-1/4 | 7-1/2 | 8-17/32 | 10-3/4 | 11-7/16 | 14-15/16 |

PVC - Socket Ends

| Size | EPDM | FKM | Std Pk | Mstr Pk | Disc Code |
|-------|---------------------|---------------------|--------|---------|-----------|
| 1/2 | 3622R-005 39.77 | 3632R-005 44.23 | 1 | 18 | 608 |
| 3/4 | 3622R-007 47.03 | 3632R-007 52.32 | 1 | 12 | 608 |
| 1 | 3622R-010 56.02 | 3632R-010 62.40 | 1 | 8 | 608 |
| 1-1/4 | 3622R-012 77.48 | 3632R-012 98.91 | 1 | 8 | 608 |
| 1-1/2 | 3622R-015 93.35 | 3632R-015 103.62 | 1 | 8 | 608 |
| 2 | 3622R-020 123.18 | 3632R-020 135.62 | 1 | 4 | 608 |
| 2-1/2 | 3622R-025 235.95 | 3632R-025 320.80 | 1 | 0 | 609 |
| 3 | 3622R-030 312.14 | 3632R-030 346.81 | 1 | 0 | 609 |
| 4 | 3622R-040 527.23 | 3632R-040 586.01 | 1 | 0 | 609 |

CPVC - Socket Ends

| Size | EPDM | FKM | Std Pk | Mstr Pk | Disc Code |
|-------|----------------------|----------------------|--------|---------|-----------|
| 1/2 | 3622R-005C 52.48 | 3632R-005C 58.36 | 1 | 18 | 610 |
| 3/4 | 3622R-007C 66.13 | 3632R-007C 73.49 | 1 | 12 | 610 |
| 1 | 3622R-010C 78.73 | 3632R-010C 87.47 | 1 | 8 | 610 |
| 1-1/4 | 3622R-012C 125.16 | 3632R-012C 139.11 | 1 | 8 | 610 |
| 1-1/2 | 3622R-015C 132.16 | 3632R-015C 146.85 | 1 | 8 | 610 |
| 2 | 3622R-020C 176.78 | 3632R-020C 203.21 | 1 | 4 | 610 |
| 2-1/2 | 3622R-025C 396.31 | 3632R-025C 440.32 | 1 | 0 | 611 |
| 3 | 3622R-030C 463.39 | 3632R-030C 514.91 | 1 | 0 | 611 |
| 4 | 3622R-040C 839.66 | 3632R-040C 932.96 | 1 | 0 | 611 |



Thermoplastic Valves
 True Union 2000 Standard Retrofit Ball Valves - Replaces Spears® "Regular Style" Valves & True Union Ball Valves (Regular Style)

True Union 2000 Standard Retrofit Ball Valves - Replaces Spears® "Regular Style" Valves



Standard Valve

Complete replacement valve for older Spears® 2300 Series Regular True Union Ball Valves. See separate catalog listing for replacement of other brand valves.

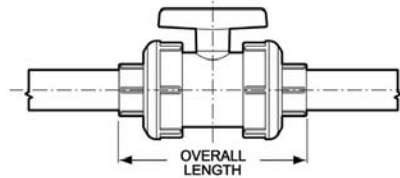
Retrofit valve consists of Spears® Standard True Union 2000 Ball Valve supplied with factory installed extended-socket end connectors. Simply cut out old valve to specified dimensions and install Retrofit Valve end connectors.

Pressure Rating @ 73°F (23°C), Water
 1/2" - 2" 235 psi
 2-1/2" - 4" 150 psi

All Valves Assembled with Silicone-Free, Water Soluble Lubricant

Suitable for Vacuum Service

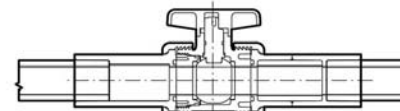
Retrofit End Connector Sets without valve are also available - See Ball Valve Accessories & Repair Kits



BALL VALVE FOR REPLACEMENT



PIPE LAYING LENGTH AFTER CUTTING



TRUE UNION 2000 STANDARD BALL VALVE INSTALLED WITH RETROFIT KIT

| Size | 1/2 | 3/4 | 1 | 1-1/4 | 1-1/2 | 2 | 2-1/2 | 3 | 4 |
|------|--------|-------|---------|-------|--------|---------|-------|---------|---------|
| L | 5-5/16 | 6-1/4 | 6-11/16 | 7-1/8 | 8-3/16 | 8-15/16 | 12 | 12-1/16 | 13-3/16 |

PVC - Socket Ends

| Size | EPDM | FKM | Std Pk | Mstr Pk | Disc Code |
|--------------|----------------------|----------------------|--------|---------|-----------|
| 1/2 | 3622RS-005 39.77 | 3632RS-005 44.23 | 1 | 18 | 608 |
| 3/4 | 3622RS-007 47.03 | 3632RS-007 52.32 | 1 | 18 | 608 |
| 1 | 3622RS-010 56.02 | 3632RS-010 62.40 | 1 | 12 | 608 |
| 1-1/4 | 3622RS-012 77.48 | 3632RS-012 98.91 | 1 | 8 | 608 |
| 1-1/2 | 3622RS-015 93.35 | 3632RS-015 103.62 | 1 | 8 | 608 |
| 2 | 3622RS-020 123.18 | 3632RS-020 135.62 | 1 | 4 | 608 |
| 2-1/2 | 3622RS-025 235.95 | 3632RS-025 320.80 | 1 | 0 | 609 |
| 3 | 3622RS-030 312.14 | 3632RS-030 346.81 | 1 | 0 | 609 |
| 4 | 3622RS-040 527.23 | 3632RS-040 586.01 | 1 | 0 | 609 |

CPVC - Socket Ends

| Size | EPDM | FKM | Std Pk | Mstr Pk | Disc Code |
|--------------|-----------------------|-----------------------|--------|---------|-----------|
| 1/2 | 3622RS-005C 52.48 | 3632RS-005C 58.36 | 1 | 18 | 610 |
| 3/4 | 3622RS-007C 66.13 | 3632RS-007C 73.49 | 1 | 18 | 610 |
| 1 | 3622RS-010C 78.73 | 3632RS-010C 87.47 | 1 | 12 | 610 |
| 1-1/4 | 3622RS-012C 125.16 | 3632RS-012C 139.11 | 1 | 8 | 610 |
| 1-1/2 | 3622RS-015C 132.16 | 3632RS-015C 146.85 | 1 | 8 | 610 |
| 2 | 3622RS-020C 176.78 | 3632RS-020C 203.21 | 1 | 4 | 610 |
| 2-1/2 | 3622RS-025C 396.31 | 3632RS-025C 440.32 | 1 | 0 | 611 |
| 3 | 3622RS-030C 463.39 | 3632RS-030C 514.91 | 1 | 0 | 611 |
| 4 | 3622RS-040C 839.66 | 3632RS-040C 932.96 | 1 | 0 | 611 |

True Union Ball Valves (Regular Style)



Socket/Threaded Style



Flanged Style

Pressure Rating @ 73°F (23°C), Water
 1/2" - 2" 235 psi
 2-1/2" - 6" 150 psi
 Flanged 150 psi
 Maximum Service Temperature
 PVC = 140°F (60°C)
 CPVC = 200°F (93°C)

Temperature/Pressure De-ratings Apply
 Rated for Vacuum Service

All Valves assembled with Silicone-Free, Water Soluble Lubricant.

6" Venturied Valves are 4" Ball Valves equipped with 4x6 End Connectors.

PVC

| Size | EPDM | FKM | Std Pk | Mstr Pk | Disc Code |
|-----------------------------------|--------------------|--------------------|--------|---------|-----------|
| Socket & Threaded Ends | | | | | |
| 1/2 | 2329-005 57.23 | 2339-005 63.68 | 1 | 18 | 230 |
| 3/4 | 2329-007 67.69 | 2339-007 75.34 | 1 | 12 | 230 |
| 1 | 2329-010 80.64 | 2339-010 89.82 | 1 | 8 | 230 |
| 1-1/4 | 2329-012 111.55 | 2339-012 142.38 | 1 | 8 | 230 |

PVC (continued)

| Size | EPDM | FKM | Std Pk | Mstr Pk | Disc Code |
|-----------------------------------|--------------------|--------------------|--------|---------|-----------|
| Socket & Threaded Ends | | | | | |
| 1-1/2 | 2329-015 134.40 | 2339-015 149.16 | 1 | 8 | 230 |
| 2 | 2329-020 177.31 | 2339-020 195.25 | 1 | 4 | 230 |
| Socket Ends | | | | | |
| 2-1/2 | 2322-025 323.80 | 2332-025 438.75 | 1 | 0 | 230 |

**Thermoplastic Valves
True Union Ball Valves (Regular Style)**



PVC (continued)

| Size | EPDM | FKM | Std Pk | Mstr Pk | Disc Code |
|------|------|-----|--------|---------|-----------|
|------|------|-----|--------|---------|-----------|

Socket Ends

| | | | | | |
|----------|---------------------------|---------------------------|---|---|-----|
| 3 | 2322-030 426.91 | 2332-030 474.35 | 1 | 0 | 230 |
| 4 | 2322-040 721.29 | 2332-040 801.42 | 1 | 0 | 230 |

Socket Venturied Ends

| | | | | | |
|--------------------|---------------------------|----------------------------|---|---|-----|
| 6 VENTURIED | 2322-060 962.36 | 2332-060 1048.55 | 1 | 0 | 231 |
|--------------------|---------------------------|----------------------------|---|---|-----|

Threaded Ends

| | | | | | |
|--------------|---------------------------|---------------------------|---|---|-----|
| 2-1/2 | 2321-025 323.80 | 2331-025 438.75 | 1 | 0 | 230 |
| 3 | 2321-030 426.91 | 2331-030 474.35 | 1 | 0 | 230 |
| 4 | 2321-040 721.29 | 2331-040 801.42 | 1 | 0 | 230 |

Flanged Ends

| | | | | | |
|--------------|----------------------------|----------------------------|---|---|-----|
| 1/2 | 2323-005 81.87 | 2333-005 87.34 | 6 | 0 | 230 |
| 3/4 | 2323-007 103.72 | 2333-007 112.80 | 5 | 0 | 230 |
| 1 | 2323-010 125.55 | 2333-010 134.96 | 5 | 0 | 230 |
| 1-1/4 | 2323-012 147.37 | 2333-012 163.75 | 2 | 0 | 230 |
| 1-1/2 | 2323-015 185.60 | 2333-015 201.94 | 3 | 0 | 230 |
| 2 | 2323-020 295.56 | 2333-020 313.45 | 2 | 0 | 230 |
| 2-1/2 | 2323-025 518.53 | 2333-025 527.07 | 1 | 0 | 230 |
| 3 | 2323-030 573.11 | 2333-030 711.55 | 1 | 0 | 230 |
| 4 | 2323-040 1152.32 | 2333-040 1335.74 | 1 | 0 | 230 |

Flanged Venturied Ends

| | | | | | |
|--------------------|----------------------------|----------------------------|---|---|-----|
| 6 VENTURIED | 2323-060 1680.55 | 2333-060 1723.61 | 1 | 0 | 231 |
|--------------------|----------------------------|----------------------------|---|---|-----|

CPVC

| Size | EPDM | FKM | Std Pk | Mstr Pk | Disc Code |
|------|------|-----|--------|---------|-----------|
|------|------|-----|--------|---------|-----------|

Socket & Threaded Ends

Threaded End Connectors available on request

| | | | | | |
|--------------|----------------------------|----------------------------|---|----|-----|
| 1/2 | 2329-005C 75.57 | 2339-005C 84.00 | 1 | 18 | 232 |
| 3/4 | 2329-007C 95.21 | 2339-007C 105.80 | 1 | 12 | 232 |
| 1 | 2329-010C 113.32 | 2339-010C 125.92 | 1 | 8 | 232 |
| 1-1/4 | 2329-012C 180.16 | 2339-012C 200.24 | 1 | 8 | 232 |
| 1-1/2 | 2329-015C 190.27 | 2339-015C 211.42 | 1 | 8 | 232 |
| 2 | 2329-020C 254.49 | 2339-020C 292.53 | 1 | 4 | 232 |

Socket Ends

| | | | | | |
|--------------|-----------------------------|-----------------------------|---|---|-----|
| 2-1/2 | 2322-025C 542.01 | 2332-025C 602.21 | 1 | 0 | 232 |
| 3 | 2322-030C 633.75 | 2332-030C 704.19 | 1 | 0 | 232 |
| 4 | 2322-040C 1148.37 | 2332-040C 1275.97 | 1 | 0 | 232 |

Socket Venturied Ends

| | | | | | |
|--------------------|-----------------------------|-----------------------------|---|---|-----|
| 6 VENTURIED | 2322-060C 1910.38 | 2332-060C 1982.16 | 1 | 0 | 233 |
|--------------------|-----------------------------|-----------------------------|---|---|-----|

Threaded Ends

| | | | | | |
|--------------|-----------------------------|-----------------------------|---|---|-----|
| 2-1/2 | 2321-025C 542.01 | 2331-025C 602.21 | 1 | 0 | 232 |
| 3 | 2321-030C 633.75 | 2331-030C 704.19 | 1 | 0 | 232 |
| 4 | 2321-040C 1148.37 | 2331-040C 1275.97 | 1 | 0 | 232 |

CPVC

| Size | EPDM | FKM | Std Pk | Mstr Pk | Disc Code |
|------|------|-----|--------|---------|-----------|
|------|------|-----|--------|---------|-----------|

Flanged Ends

| | | | | | |
|--------------|-----------------------------|-----------------------------|---|---|-----|
| 1/2 | 2323-005C 128.23 | 2333-005C 131.00 | 6 | 0 | 232 |
| 3/4 | 2323-007C 157.20 | 2333-007C 163.75 | 5 | 0 | 232 |
| 1 | 2323-010C 179.99 | 2333-010C 191.05 | 5 | 0 | 232 |
| 1-1/4 | 2323-012C 268.89 | 2333-012C 278.33 | 2 | 0 | 232 |
| 1-1/2 | 2323-015C 295.79 | 2333-015C 305.61 | 3 | 0 | 232 |
| 2 | 2323-020C 411.60 | 2333-020C 490.19 | 2 | 0 | 232 |
| 2-1/2 | 2323-025C 729.80 | 2333-025C 875.99 | 1 | 0 | 232 |
| 3 | 2323-030C 1067.29 | 2333-030C 1091.61 | 1 | 0 | 232 |
| 4 | 2323-040C 1871.83 | 2333-040C 1946.69 | 1 | 0 | 232 |

Flanged Venturied Ends

| | | | | | |
|--------------------|-----------------------------|-----------------------------|---|---|-----|
| 6 VENTURIED | 2323-060C 2901.42 | 2333-060C 3001.97 | 1 | 0 | 233 |
|--------------------|-----------------------------|-----------------------------|---|---|-----|



Thermoplastic Valves Single Entry Ball Valves



PVC White – Socket/Threaded Style

Pressure Rating @ 73°F (23°C), Water
 1/2" - 2" 235 psi
 3" - 4" 150 psi
 Maximum Service Temperature
 PVC = 140°F (60°C)
 Temperature/Pressure De-ratings Apply
 Rated for Vacuum Service

All Valves Assembled with Silicone-Free, Water Soluble Lubricant. See
 Ball Valve Accessories & Repair Kits Section for Additional Options and
 Features



PVC Gray – Socket/Threaded Style

PVC White

| Size | Buna-N | EPDM | FKM | Std Pk | Mstr Pk | Disc Code |
|----------------------|---------------------|---------------------|---------------------|-----------|------------|--------------|
| Threaded Ends | | | | | | |
| 1/2 | 2411-005W 19.02 | 2421-005W 21.09 | 2431-005W 23.46 | 10 | 120 | 240 |
| 3/4 | 2411-007W 25.75 | 2421-007W 26.55 | 2431-007W 29.51 | 10 | 80 | 240 |
| 1 | 2411-010W 28.11 | 2421-010W 31.22 | 2431-010W 34.72 | 10 | 0 | 240 |
| 1-1/4 | 2411-012W 39.08 | 2421-012W 43.46 | 2431-012W 48.28 | 6 | 0 | 240 |
| 1-1/2 | 2411-015W 50.66 | 2421-015W 58.82 | 2431-015W 63.78 | 5 | 0 | 240 |
| 2 | 2411-020W 57.03 | 2421-020W 63.31 | 2431-020W 70.37 | 5 | 0 | 240 |
| 3 | 2411-030W 207.42 | 2421-030W 257.32 | 2431-030W 296.68 | 1 | 0 | 240 |
| 4 | 2411-040W 438.47 | 2421-040W 483.08 | 2431-040W 525.14 | 1 | 0 | 240 |

Socket Ends

| | | | | | | |
|-------|---------------------|---------------------|---------------------|----|-----|-----|
| 1/2 | 2412-005W 19.02 | 2422-005W 21.09 | 2432-005W 23.46 | 10 | 120 | 240 |
| 3/4 | 2412-007W 25.75 | 2422-007W 26.55 | 2432-007W 29.51 | 10 | 80 | 240 |
| 1 | 2412-010W 28.11 | 2422-010W 31.22 | 2432-010W 34.72 | 10 | 0 | 240 |
| 1-1/4 | 2412-012W 39.08 | 2422-012W 43.46 | 2432-012W 48.28 | 6 | 0 | 240 |
| 1-1/2 | 2412-015W 50.66 | 2422-015W 58.82 | 2432-015W 63.79 | 5 | 0 | 240 |
| 2 | 2412-020W 57.03 | 2422-020W 63.31 | 2432-020W 70.37 | 5 | 0 | 240 |
| 3 | 2412-030W 207.42 | 2422-030W 257.32 | 2432-030W 296.68 | 1 | 0 | 240 |
| 4 | 2412-040W 438.47 | 2422-040W 483.08 | 2432-040W 525.14 | 1 | 0 | 240 |

PVC Gray

| Size | Buna-N | EPDM | FKM | Std Pk | Mstr Pk | Disc Code |
|----------------------|---------------------|---------------------|---------------------|-----------|------------|--------------|
| Threaded Ends | | | | | | |
| 1/2 | 2411-005G 20.88 | 2421-005G 23.15 | 2431-005G 25.75 | 10 | 120 | 240 |
| 3/4 | 2411-007G 26.31 | 2421-007G 29.26 | 2431-007G 32.49 | 10 | 80 | 240 |
| 1 | 2411-010G 30.95 | 2421-010G 34.35 | 2431-010G 38.18 | 10 | 0 | 240 |
| 1-1/4 | 2411-012G 42.98 | 2421-012G 47.78 | 2431-012G 53.02 | 6 | 0 | 240 |
| 1-1/2 | 2411-015G 54.11 | 2421-015G 63.38 | 2431-015G 70.48 | 5 | 0 | 240 |
| 2 | 2411-020G 62.65 | 2421-020G 69.62 | 2431-020G 77.32 | 5 | 0 | 240 |
| 3 | 2411-030G 218.37 | 2421-030G 270.83 | 2431-030G 312.31 | 1 | 0 | 240 |
| 4 | 2411-040G 461.53 | 2421-040G 508.53 | 2431-040G 552.76 | 1 | 0 | 240 |

Socket Ends

| | | | | | | |
|-----|--------------------|--------------------|--------------------|----|-----|-----|
| 1/2 | 2412-005G 20.88 | 2422-005G 23.15 | 2432-005G 25.75 | 10 | 120 | 240 |
|-----|--------------------|--------------------|--------------------|----|-----|-----|

PVC Gray (continued)

| Size | Buna-N | EPDM | FKM | Std Pk | Mstr Pk | Disc Code |
|--------------------|---------------------|---------------------|---------------------|-----------|------------|--------------|
| Socket Ends | | | | | | |
| 3/4 | 2412-007G 26.31 | 2422-007G 29.26 | 2432-007G 32.49 | 10 | 80 | 240 |
| 1 | 2412-010G 30.95 | 2422-010G 34.35 | 2432-010G 38.18 | 10 | 0 | 240 |
| 1-1/4 | 2412-012G 42.98 | 2422-012G 47.78 | 2432-012G 53.02 | 5 | 0 | 240 |
| 1-1/2 | 2412-015G 54.11 | 2422-015G 63.38 | 2432-015G 70.48 | 5 | 0 | 240 |
| 2 | 2412-020G 62.65 | 2422-020G 69.62 | 2432-020G 77.32 | 5 | 0 | 240 |
| 3 | 2412-030G 218.37 | 2422-030G 270.83 | 2432-030G 312.31 | 1 | 0 | 240 |
| 4 | 2412-040G 461.53 | 2422-040G 508.53 | 2432-040G 552.76 | 1 | 0 | 240 |

Thermoplastic Valves Compact 2000 Ball Valves



Pressure Rating @ 73°F (23°C), Water
 1/2" - 2" 235 psi
 Maximum Service Temperature
 PVC = 140°F (60°C)
 CPVC = 200°F (93°C)
 Temperature/Pressure De-ratings Apply
 All Valves Assembled with Silicone-Free, Water Soluble Lubricants.
 Rated for Vacuum Service
 Compact 2000 Ball Valves are a Maintenance-Free, Sealed Unit (non-repairable).
 See Ball Valve Accessories & Repair Kits Section for Additional Options and Features.

PVC 2000 Compact Ball Valve

| Size | EPDM | FKM | Std Pk | Mstr Pk | Disc Code |
|--------------------|-------------------|-------------------|--------|---------|-----------|
| Socket Ends | | | | | |
| 1/2 | 6622-005 21.17 | 6632-005 23.83 | 10 | 120 | 210 |
| 3/4 | 6622-007 28.88 | 6632-007 29.57 | 10 | 80 | 210 |
| 1 | 6622-010 31.53 | 6632-010 35.36 | 10 | 0 | 210 |
| 1-1/4 | 6622-012 47.43 | 6632-012 54.81 | 6 | 0 | 210 |
| 1-1/2 | 6622-015 56.49 | 6632-015 62.83 | 5 | 0 | 210 |
| 2 | 6622-020 75.42 | 6632-020 84.74 | 8 | 0 | 210 |

Threaded Ends

| | | | | | |
|--------------|-------------------|-------------------|----|-----|-----|
| 1/2 | 6621-005 21.17 | 6631-005 23.83 | 10 | 120 | 210 |
| 3/4 | 6621-007 28.88 | 6631-007 29.57 | 10 | 80 | 210 |
| 1 | 6621-010 31.53 | 6631-010 35.36 | 10 | 0 | 210 |
| 1-1/4 | 6621-012 51.92 | 6631-012 54.81 | 6 | 0 | 210 |
| 1-1/2 | 6621-015 56.49 | 6631-015 62.83 | 5 | 0 | 210 |
| 2 | 6621-020 75.42 | 6631-020 84.74 | 8 | 0 | 210 |

Flanged Ends

| | | | | | |
|--------------|--------------------|--------------------|----|-----|-----|
| 1/2 | 6623-005 44.58 | 6633-005 46.84 | 10 | 120 | 210 |
| 3/4 | 6623-007 50.35 | 6633-007 52.11 | 10 | 120 | 210 |
| 1 | 6623-010 65.61 | 6633-010 69.13 | 10 | 120 | 210 |
| 1-1/4 | 6623-012 81.93 | 6633-012 87.89 | 10 | 120 | 210 |
| 1-1/2 | 6623-015 99.12 | 6633-015 107.74 | 10 | 120 | 210 |
| 2 | 6623-020 132.27 | 6633-020 138.07 | 10 | 120 | 210 |

CPVC 2000 Compact Ball Valve

| Size | EPDM | FKM | Std Pk | Mstr Pk | Disc Code |
|--------------------|---------------------|---------------------|--------|---------|-----------|
| Socket Ends | | | | | |
| 1/2 | 6622-005C 24.93 | 6632-005C 27.74 | 10 | 120 | 212 |
| 3/4 | 6622-007C 32.88 | 6632-007C 36.95 | 10 | 80 | 212 |
| 1 | 6622-010C 41.09 | 6632-010C 46.21 | 10 | 0 | 212 |
| 1-1/4 | 6622-012C 67.25 | 6632-012C 83.12 | 6 | 0 | 212 |
| 1-1/2 | 6622-015C 83.18 | 6632-015C 92.42 | 5 | 0 | 212 |
| 2 | 6622-020C 108.97 | 6632-020C 122.43 | 8 | 0 | 212 |

Threaded Ends

| | | | | | |
|------------|--------------------|--------------------|----|-----|-----|
| 1/2 | 6621-005C 24.93 | 6631-005C 27.74 | 10 | 120 | 212 |
|------------|--------------------|--------------------|----|-----|-----|

CPVC 2000 Compact Ball Valve (continued)

| Size | EPDM | FKM | Std Pk | Mstr Pk | Disc Code |
|----------------------|---------------------|---------------------|--------|---------|-----------|
| Threaded Ends | | | | | |
| 3/4 | 6621-007C 32.88 | 6631-007C 36.95 | 10 | 80 | 212 |
| 1 | 6621-010C 41.09 | 6631-010C 46.21 | 10 | 0 | 212 |
| 1-1/4 | 6621-012C 67.25 | 6631-012C 83.12 | 6 | 0 | 212 |
| 1-1/2 | 6621-015C 83.18 | 6631-015C 92.42 | 5 | 0 | 212 |
| 2 | 6621-020C 108.97 | 6631-020C 122.43 | 8 | 0 | 212 |

Flanged Ends

| | | | | | |
|--------------|---------------------|---------------------|---|---|-----|
| 1/2 | 6623-005C 68.21 | 6633-005C 70.32 | 1 | 0 | 212 |
| 3/4 | 6623-007C 80.63 | 6633-007C 84.19 | 1 | 0 | 212 |
| 1 | 6623-010C 106.11 | 6633-010C 112.37 | 1 | 0 | 212 |
| 1-1/4 | 6623-012C 133.47 | 6633-012C 140.63 | 1 | 0 | 212 |
| 1-1/2 | 6623-015C 168.63 | 6633-015C 178.73 | 1 | 0 | 212 |
| 2 | 6623-020C 234.95 | 6633-020C 241.89 | 1 | 0 | 212 |



Thermoplastic Valves Compact Ball Valves (Regular Style)



Socket/Threaded Style

Pressure Rating @ 73°F (23°C), Water
 1/2" - 2" 235 psi
 3" - 6" 150 psi
 Flanged 150 psi
 Maximum Service Temperature
 PVC = 140°F (60°C)
 CPVC = 200°F (93°C)
 Temperature/Pressure De-ratings Apply
 Rated for Vacuum Service

All Valves Assembled with Silicone-Free, Water Soluble Lubricants.

See Ball Valve Accessories & Repair Kits Section
 for Additional Options and Features

Note: Standard 6" Valve uses Lever-Style Handle for proper leverage.

T-Handle option is more compact but will increase difficulty of operation.

PVC

| Size | EPDM | FKM | Std Pk | Mstr Pk | Disc Code |
|--------------------|---------------------|---------------------|--------|---------|-----------|
| Socket Ends | | | | | |
| 1/2 | 2122-005 22.27 | 2132-005 25.08 | 10 | 80 | 210 |
| 3/4 | 2122-007 30.40 | 2132-007 31.13 | 10 | 0 | 210 |
| 1 | 2122-010 33.17 | 2132-010 37.24 | 10 | 0 | 210 |
| 1-1/4 | 2122-012 59.48 | 2132-012 66.13 | 6 | 0 | 210 |
| 1-1/2 | 2122-015 73.65 | 2132-015 76.96 | 5 | 0 | 210 |
| 2 | 2122-020 79.38 | 2132-020 89.20 | 6 | 0 | 210 |
| 3 | 2122-030 258.01 | 2132-030 289.86 | 1 | 4 | 211 |
| 4 | 2122-040 396.95 | 2132-040 571.38 | 1 | 0 | 211 |
| 6 (Lever Handle) | 2122-060 515.51 | 2132-060 742.05 | 1 | 0 | 211 |
| 6 (Tee Handle) | 21226-060 515.51 | 21326-060 742.05 | 1 | 0 | 211 |

Threaded Ends

| | | | | | |
|-------|--------------------|--------------------|----|----|-----|
| 1/2 | 2121-005 22.27 | 2131-005 25.08 | 10 | 80 | 210 |
| 3/4 | 2121-007 30.40 | 2131-007 31.13 | 10 | 0 | 210 |
| 1 | 2121-010 33.17 | 2131-010 37.24 | 10 | 0 | 210 |
| 1-1/4 | 2121-012 59.48 | 2131-012 66.13 | 6 | 0 | 210 |
| 1-1/2 | 2121-015 73.65 | 2131-015 76.96 | 5 | 0 | 210 |
| 2 | 2121-020 79.38 | 2131-020 89.20 | 6 | 0 | 210 |
| 3 | 2121-030 258.01 | 2131-030 289.86 | 1 | 4 | 211 |
| 4 | 2121-040 396.95 | 2131-040 571.38 | 1 | 0 | 211 |

Flanged Ends

| | | | | | |
|------------------|--------------------|---------------------|---|---|-----|
| 1/2 | 2123-005 49.24 | 2133-005 52.45 | 1 | 8 | 210 |
| 3/4 | 2123-007 59.58 | 2133-007 61.95 | 1 | 8 | 210 |
| 1 | 2123-010 65.73 | 2133-010 69.78 | 1 | 8 | 210 |
| 1-1/4 | 2123-012 93.05 | 2133-012 99.69 | 1 | 8 | 210 |
| 1-1/2 | 2123-015 107.66 | 2133-015 112.73 | 1 | 4 | 210 |
| 2 | 2123-020 124.97 | 2133-020 134.69 | 1 | 0 | 210 |
| 3 | 2123-030 335.73 | 2133-030 367.59 | 1 | 0 | 211 |
| 4 | 2123-040 495.22 | 2133-040 669.64 | 1 | 0 | 211 |
| 6 (Lever Handle) | 2123-060 953.51 | 2133-060 1049.57 | 1 | 0 | 211 |

PVC (continued)

| Size | EPDM | FKM | Std Pk | Mstr Pk | Disc Code |
|---------------------|---------------------|----------------------|--------|---------|-----------|
| Flanged Ends | | | | | |
| 6 (Tee Handle) | 21236-060 953.51 | 21336-060 1049.57 | 1 | 0 | 211 |

CPVC

| Size | EPDM | FKM | Std Pk | Mstr Pk | Disc Code |
|--------------------|-----------------------|-----------------------|--------|---------|-----------|
| Socket Ends | | | | | |
| 1/2 | 2122-005C 26.24 | 2132-005C 29.18 | 10 | 80 | 212 |
| 3/4 | 2122-007C 34.61 | 2132-007C 38.91 | 10 | 0 | 212 |
| 1 | 2122-010C 43.27 | 2132-010C 48.64 | 10 | 0 | 212 |
| 1-1/4 | 2122-012C 87.56 | 2132-012C 97.25 | 6 | 0 | 212 |
| 1-1/2 | 2122-015C 108.18 | 2132-015C 113.73 | 5 | 0 | 212 |
| 2 | 2122-020C 114.72 | 2132-020C 128.89 | 6 | 0 | 212 |
| 3 | 2122-030C 349.04 | 2132-030C 389.31 | 1 | 4 | 213 |
| 4 | 2122-040C 645.24 | 2132-040C 724.94 | 1 | 0 | 213 |
| 6 (Lever Handle) | 2122-060C 1054.51 | 2132-060C 1123.62 | 1 | 0 | 213 |
| 6 (Tee Handle) | 21226-060C 1054.51 | 21326-060C 1123.62 | 1 | 0 | 213 |

Threaded Ends

| | | | | | |
|-------|---------------------|---------------------|----|----|-----|
| 1/2 | 2121-005C 26.24 | 2131-005C 29.18 | 10 | 80 | 212 |
| 3/4 | 2121-007C 34.61 | 2131-007C 38.91 | 10 | 0 | 212 |
| 1 | 2121-010C 43.27 | 2131-010C 48.64 | 10 | 0 | 212 |
| 1-1/4 | 2121-012C 87.56 | 2131-012C 97.25 | 6 | 0 | 212 |
| 1-1/2 | 2121-015C 108.18 | 2131-015C 113.73 | 5 | 0 | 212 |
| 2 | 2121-020C 114.72 | 2131-020C 128.89 | 6 | 0 | 212 |
| 3 | 2121-030C 349.04 | 2131-030C 389.31 | 1 | 4 | 213 |
| 4 | 2121-040C 645.24 | 2131-040C 724.94 | 1 | 0 | 213 |

Flanged Ends

| | | | | | |
|-------|---------------------|---------------------|---|---|-----|
| 1/2 | 2123-005C 73.15 | 2133-005C 76.11 | 1 | 8 | 212 |
| 3/4 | 2123-007C 84.93 | 2133-007C 89.22 | 1 | 8 | 212 |
| 1 | 2123-010C 100.42 | 2133-010C 105.81 | 1 | 8 | 212 |
| 1-1/4 | 2123-012C 158.24 | 2133-012C 167.96 | 1 | 8 | 212 |
| 1-1/2 | 2123-015C 197.89 | 2133-015C 204.01 | 1 | 4 | 212 |

Thermoplastic Valves Compact Ball Valves (Regular Style) & Lab Ball Valves



Compact Ball Valves (Regular Style)

CPVC (continued)

| Size | EPDM | FKM | Std Pk | Mstr Pk | Disc Code |
|-------------------------|------------------------------|------------------------------|--------|---------|-----------|
| Flanged Ends | | | | | |
| 2 | 2123-020C 224.11 | 2133-020C 238.28 | 1 | 0 | 212 |
| 3 | 2123-030C 536.68 | --- | 1 | 0 | 213 |
| 4 | 2123-040C 838.37 | 2133-040C 918.05 | 1 | 0 | 213 |
| 6 (Lever Handle) | 2123-060C 1592.42 | 2133-060C 1708.33 | 1 | 0 | 213 |
| 6 (Tee Handle) | 21236-060C 1592.42 | 21336-060C 1708.33 | 1 | 0 | 213 |

Lab Ball Valves



Socket/Threaded Valve Only

Pressure Rating @ 73°F (23°C), Water
1/4" - 3/8" 150 psi
Maximum Service Temperature
PVC = 140°F (60°C)
CPVC = 200°F (93°C)
Temperature/Pressure De-ratings Apply
Rated for Vacuum Service

All Valves Assembled with Silicone-Free, Water Soluble Lubricant

Valve & Adapters includes:

- 1 - Threaded 1/4" Valve
- 2 - O-ring Sealed 1/4" MPT x Mipt Adapters
- 2 - EPDM or FKM O-rings (AS568-013 size)
- 1 - End Connector Wrench
- 2 - O-ring Sealed 1/4" MPT x 3/8" I.D. Tubing Barb Adapters
- OR -
- 2 - O-ring Sealed 1/4" MPT x 1/4" I.D. Tubing Barb Adapters



Valve & Adapters

PVC

| Size | EPDM | FKM | Std Pk | Mstr Pk | Disc Code |
|-------------------------------------------|---------------------------|---------------------------|--------|---------|-----------|
| Valve & Adapters Threaded Ends | | | | | |
| 1/4X1/4T | 1529-002A 25.75 | 1539-002A 26.92 | 1 | 25 | 218 |
| 1/4X3/8T | 1529-002 25.75 | 1539-002 26.92 | 1 | 25 | 218 |

Valve only Threaded Ends

| | | | | | |
|------------|--------------------------|--------------------------|----|-----|-----|
| 1/4 | 1521-002 20.58 | 1531-002 22.91 | 50 | 200 | 218 |
| 3/8 | 1521-003 28.93 | 1531-003 32.07 | 50 | 200 | 218 |

Valve only Socket Ends

| | | | | | |
|------------|--------------------------|--------------------------|----|-----|-----|
| 1/4 | 1522-002 20.58 | 1532-002 23.28 | 50 | 200 | 218 |
| 3/8 | 1522-003 28.93 | 1532-003 32.07 | 50 | 200 | 218 |

CPVC

| Size | EPDM | FKM | Std Pk | Mstr Pk | Disc Code |
|-------------------------------------------|----------------------------|----------------------------|--------|---------|-----------|
| Valve & Adapters Threaded Ends | | | | | |
| 1/4X1/4T | 1529-002CA 30.91 | 1539-002CA 31.51 | 1 | 25 | 219 |
| 1/4X3/8T | 1529-002C 30.91 | 1539-002C 31.51 | 1 | 25 | 219 |

Valve only Threaded Ends

| | | | | | |
|------------|---------------------------|---------------------------|----|-----|-----|
| 1/4 | 1521-002C 24.75 | 1531-002C 27.21 | 50 | 200 | 219 |
| 3/8 | 1521-003C 34.71 | 1531-003C 32.53 | 50 | 200 | 219 |

Valve only Socket Ends

| | | | | | |
|------------|---------------------------|---------------------------|----|-----|-----|
| 1/4 | 1522-002C 24.75 | 1532-002C 29.45 | 50 | 200 | 219 |
| 3/8 | 1522-003C 34.71 | 1532-003C 38.53 | 50 | 200 | 219 |



Thermoplastic Valves Utility Ball Valves



Pressure Rating @ 73°F (23°C), Water
1/2" - 6" 150 psi
Maximum Service Temperature
PVC = 140°F (60°C)
CPVC = 200°F (93°C)
Temperature/Pressure De-ratings Apply

All Valves Assembled with Silicone-Free,
Water Soluble Lubricant

Note: Standard 6" Valve uses Lever-Style Handle for proper leverage.

PVC w/EPDM O-ring Seal

| Size | Threaded Ends | Socket Ends | Std Pk | Mstr Pk | Disc Code |
|-------------------------|---------------------------|---------------------------|--------|---------|-----------|
| PVC White | | | | | |
| 1/2 | 2621-005 9.37 | 2622-005 9.37 | 50 | 0 | 215 |
| 3/4 | 2621-007 11.12 | 2622-007 11.12 | 25 | 0 | 215 |
| 1 | 2621-010 15.12 | 2622-010 15.12 | 25 | 0 | 215 |
| 1-1/4 | 2621-012 20.03 | 2622-012 20.03 | 20 | 0 | 215 |
| 1-1/2 | 2621-015 30.57 | 2622-015 30.57 | 20 | 0 | 215 |
| 2 | 2621-020 38.64 | 2622-020 38.64 | 8 | 0 | 215 |
| 2-1/2 | 2621-025 66.14 | 2622-025 66.14 | 6 | 0 | 214 |
| 3 | 2621-030 118.62 | 2622-030 118.62 | 1 | 4 | 214 |
| 4 | 2621-040 217.41 | 2622-040 217.41 | 1 | 0 | 214 |
| 6 (Lever Handle) | --- | 2622-060 350.76 | 1 | 0 | 214 |

PVC Gray

| | | | | | |
|--------------|----------------------------|----------------------------|----|---|-----|
| 1/2 | 2621-005G 9.37 | 2622-005G 9.37 | 50 | 0 | 215 |
| 3/4 | 2621-007G 11.12 | 2622-007G 11.12 | 25 | 0 | 215 |
| 1 | 2621-010G 15.12 | 2622-010G 15.12 | 25 | 0 | 215 |
| 1-1/4 | 2621-012G 20.03 | 2622-012G 20.03 | 20 | 0 | 215 |
| 1-1/2 | 2621-015G 30.57 | 2622-015G 30.57 | 20 | 0 | 215 |
| 2 | 2621-020G 38.64 | 2622-020G 38.64 | 8 | 0 | 215 |
| 2-1/2 | 2621-025G 66.14 | 2622-025G 66.14 | 6 | 0 | 214 |
| 3 | 2621-030G 118.62 | 2622-030G 118.62 | 1 | 4 | 214 |
| 4 | 2621-040G 217.41 | 2622-040G 217.41 | 1 | 0 | 214 |

CPVC w/EPDM O-ring Seal

| Size | Threaded Ends | Socket Ends | Std Pk | Mstr Pk | Disc Code |
|--------------|---------------------------|---------------------------|--------|---------|-----------|
| CPVC | | | | | |
| 1/2 | 2621-005C 12.35 | 2622-005C 12.35 | 50 | 0 | 216 |
| 3/4 | 2621-007C 15.69 | 2622-007C 15.69 | 25 | 0 | 216 |
| 1 | 2621-010C 17.05 | 2622-010C 17.05 | 25 | 0 | 216 |
| 1-1/4 | 2621-012C 24.03 | 2622-012C 24.03 | 20 | 0 | 216 |
| 1-1/2 | 2621-015C 37.26 | 2622-015C 37.26 | 20 | 0 | 216 |
| 2 | 2621-020C 46.35 | 2622-020C 46.35 | 8 | 0 | 216 |

Thermoplastic Valves CWV Ball Valves & Swing Check Ball Valve



CWV Ball Valves



**A Combination of Economy & Quality - Made in the U.S.A.
For Greater Value in a General Purpose Cold Water Valve**

Pressure Rating @ 73°F (23°C), Water = 125 psi

You don't have to go overseas to find an economical general purpose ball valve! Spears® CWV BALL VALVES are produced in the U.S.A. with Spears® high quality construction and NSF® Certified for potable water service. Designed for use with cold water, these PVC valves may be suitable for some applications previously handled by Spears® Utility Valves. Available in IPS sizes 1/2" through 2" with a Full 1-Year Warranty.

CWV PVC Ball Valve

| Part Number | Size | Std Pk | Mstr Ctn | Disc Code | Price Each |
|--------------------|-------|--------|----------|-----------|------------|
| Socket Ends | | | | | |
| 8722-005 | 1/2 | 50 | 0 | 204 | 8.43 |
| 8722-007 | 3/4 | 25 | 0 | 204 | 10.00 |
| 8722-010 | 1 | 25 | 0 | 204 | 13.60 |
| 8722-012 | 1-1/4 | 20 | 0 | 204 | 18.03 |
| 8722-015 | 1-1/2 | 20 | 0 | 204 | 27.52 |
| 8722-020 | 2 | 10 | 0 | 204 | 34.78 |

CWV PVC Ball Valve

| Part Number | Size | Std Pk | Mstr Ctn | Disc Code | Price Each |
|----------------------|-------|--------|----------|-----------|------------|
| Threaded Ends | | | | | |
| 8721-005 | 1/2 | 50 | 0 | 204 | 10.41 |
| 8721-007 | 3/4 | 25 | 0 | 204 | 12.35 |
| 8721-010 | 1 | 25 | 0 | 204 | 16.80 |
| 8721-012 | 1-1/4 | 20 | 0 | 204 | 22.25 |
| 8721-015 | 1-1/2 | 20 | 0 | 204 | 33.97 |
| 8721-020 | 2 | 10 | 0 | 204 | 42.94 |

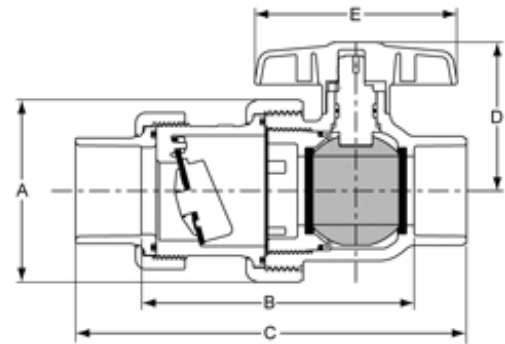
Swing Check Ball Valve



- One-piece Combination for Applications Requiring In-line Ball Valve and Check Valves
- Compact, Space-Saving Design
- True Union Design Allows Easy Service and Cleaning
- High Grade EPDM Seals
- Replaceable PTFE HDPE Ball Valve Seats
- Safety-Blocked™ Seal Carrier on Ball Valve
- Replaceable Sealed Check Valve Cartridge
- Suitable for Horizontal or Vertical Up-flow Installations
- Socket End Connections

Pressure Rating @ 73°F (23°C), Water
 Full Flow (open) 150 psi
 Back Pressure (closed) 75 psi
Maximum Service Temperature
 140°F (60°C)

Temperature/Pressure De-ratings Apply



| Size | Dimensions | | | | |
|-------|------------|---------|-------|--------|--------|
| | A | B | C | D | E |
| 1-1/2 | 3-7/8 | 5-3/4 | 8-1/4 | 3-3/16 | 4-1/4 |
| 2 | 4-7/16 | 6-11/16 | 9-3/8 | 3-7/8 | 5-1/16 |

General Installation Information: Swing Check Ball Valves are designed for horizontal installations, but may be installed in up-flow only vertical position. The Check Valve portion **MUST** be installed with the valve's FLOW arrow pointing in the direction of flow and with the designated side up in horizontal installations. Do Not install Check Valve upside down. The Ball Valve portion may be rotated and installed in any position. Flow velocity should not exceed 5 ft./sec. Minimum opening pressure is less than 0.5 psi.

PVC Swing Check Ball Valve

| Part Number | Size | Std Pk | Mstr Ctn | Disc Code | Price Each |
|------------------|-------|--------|----------|-----------|------------|
| Soc x Soc | | | | | |
| 7622-015 | 1-1/2 | 10 | 0 | 026 | 42.57 |
| 7622-020 | 2 | 6 | 0 | 026 | 61.09 |



**Thermoplastic Valves
CTS Valves**



CPVC CTS Ball Valves

| Part Number | Size | Std Pk | Mstr Ctn | Disc Code | Price Each |
|-------------|------|--------|----------|-----------|------------|
|-------------|------|--------|----------|-----------|------------|

Socket with EPDM O-ring Seal

100 psi Maximum Internal Pressure @ 180°F (82°C)

| | | | | | |
|----------|-------|----|-----|-----|--------|
| 1922-005 | 1/2 | 50 | 200 | 217 | 33.39 |
| 1922-007 | 3/4 | 25 | 0 | 217 | 39.47 |
| 1922-010 | 1 | 25 | 0 | 217 | 45.53 |
| 1922-012 | 1-1/4 | 20 | 0 | 217 | 70.68 |
| 1922-015 | 1-1/2 | 20 | 0 | 217 | 101.94 |
| 1922-020 | 2 | 8 | 0 | 217 | 130.59 |

For additional valve information, please refer to Spears® Technical Information part 2 This book.

1/4-Turn Angle Supply Stop

Socket x NPT



100 psi @ 180°F (82°C)

1/2" & 3/8" Male Thread for Connection to Female Flexible Supply Line

| | | | | | |
|----------|---------|----|-----|-----|-------|
| 7722-005 | 1/2 | 50 | 400 | 217 | 16.43 |
| 7722-073 | 1/2X3/8 | 50 | 400 | 217 | 16.43 |

1/4-Turn Angle Supply Stop

SR FPT x NPT



100 psi @ 180°F (82°C)

1/2" & 3/8" Male Thread for Connection to Female Flexible Supply Line

| | | | | | |
|------------|---------|----|-----|-----|-------|
| 7721-005SR | 1/2 | 50 | 400 | 217 | 40.69 |
| 7721-073SR | 1/2X3/8 | 50 | 400 | 217 | 40.69 |

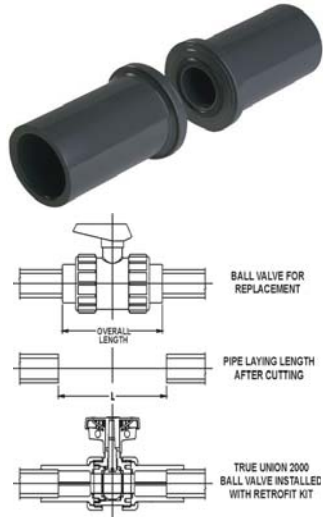
Thermoplastic Valves Ball Valve Accessories & Repair Kits



Retrofit End Connector Sets (Socket Style Only)

Special extended Socket end connectors allow in-line replacement of other brand valves with Spears® True Union 2000 Ball Valves, 3-Way Ball Valves, and True Union 2000 Ball Check Valves. Kit includes 2 Extended End Connectors with O-rings

Retrofit Kit For Other Brand Valves

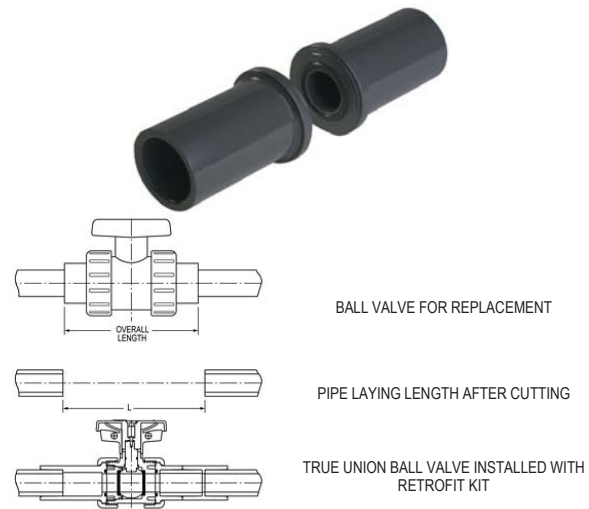


| Size | 1/2 | 3/4 | 1 | 1-1/4 | 1-1/2 | 2 | 2-1/2 | 3 | 4 |
|------|---------|--------|--------|-------|-------|---------|--------|---------|----------|
| L | 4-29/32 | 5-7/16 | 6-3/32 | 7-1/4 | 7-1/2 | 8-17/32 | 10-3/4 | 11-7/16 | 14-15/16 |

True Union Retrofit Kits - Other Brand Valves (Socket Style Only) CPVC (continued)

| Size | EPDM | FKM | Std Pk | Mstr Pk | Disc Code |
|------|---------------------|---------------------|--------|---------|-----------|
| 4 | RFK2-040C 165.75 | RFK3-040C 218.97 | 1 | 4 | 299 |

Retrofit Kit For Older "Regular Style" Spears® Valves



| Size | 1/2 | 3/4 | 1 | 1-1/4 | 1-1/2 | 2 | 2-1/2 | 3 | 4 |
|------|--------|-------|---------|-------|--------|---------|-------|---------|---------|
| L | 5-5/16 | 6-1/4 | 6-11/16 | 7-1/8 | 8-3/16 | 8-15/16 | 12 | 12-1/16 | 13-3/16 |

True Union Retrofit Kits - Other Brand Valves (Socket Style Only) PVC

| Size | EPDM | FKM | Std Pk | Mstr Pk | Disc Code |
|-------|--------------------|--------------------|--------|---------|-----------|
| 1/2 | RFK2-005 10.16 | RFK3-005 13.23 | 1 | 25 | 299 |
| 3/4 | RFK2-007 13.22 | RFK3-007 15.11 | 1 | 25 | 299 |
| 1 | RFK2-010 14.97 | RFK3-010 17.48 | 1 | 25 | 299 |
| 1-1/4 | RFK2-012 17.59 | RFK3-012 24.98 | 1 | 10 | 299 |
| 1-1/2 | RFK2-015 22.06 | RFK3-015 28.80 | 1 | 10 | 299 |
| 2 | RFK2-020 31.78 | RFK3-020 39.72 | 1 | 10 | 299 |
| 2-1/2 | RFK2-025 58.47 | RFK3-025 79.58 | 1 | 5 | 299 |
| 3 | RFK2-030 77.78 | RFK3-030 97.20 | 1 | 5 | 299 |
| 4 | RFK2-040 114.79 | RFK3-040 164.27 | 1 | 4 | 299 |

True Union Retrofit Kits - Older "Regular Style" Spears® Valves (Socket Style Only) PVC

| Size | EPDM | FKM | Std Pk | Mstr Pk | Disc Code |
|-------|---------------------|---------------------|--------|---------|-----------|
| 1/2 | RFKS2-005 10.16 | RFKS3-005 13.23 | 1 | 10 | 299 |
| 3/4 | RFKS2-007 13.22 | RFKS3-007 15.11 | 1 | 10 | 299 |
| 1 | RFKS2-010 14.97 | RFKS3-010 17.48 | 1 | 10 | 299 |
| 1-1/4 | RFKS2-012 17.59 | RFKS3-012 24.98 | 1 | 10 | 299 |
| 1-1/2 | RFKS2-015 22.06 | RFKS3-015 28.80 | 1 | 10 | 299 |
| 2 | RFKS2-020 31.78 | RFKS3-020 39.72 | 1 | 5 | 299 |
| 2-1/2 | RFKS2-025 58.47 | RFKS3-025 79.58 | 1 | 5 | 299 |
| 3 | RFKS2-030 77.78 | RFKS3-030 97.20 | 1 | 5 | 299 |
| 4 | RFKS2-040 114.79 | RFKS3-040 164.27 | 1 | 2 | 299 |

True Union Retrofit Kits - Other Brand Valves (Socket Style Only) CPVC

| Size | EPDM | FKM | Std Pk | Mstr Pk | Disc Code |
|-------|---------------------|---------------------|--------|---------|-----------|
| 1/2 | RFK2-005C 14.75 | RFK3-005C 15.98 | 1 | 25 | 299 |
| 3/4 | RFK2-007C 16.60 | RFK3-007C 20.15 | 1 | 25 | 299 |
| 1 | RFK2-010C 18.97 | RFK3-010C 23.13 | 1 | 25 | 299 |
| 1-1/4 | RFK2-012C 24.71 | RFK3-012C 32.09 | 1 | 10 | 299 |
| 1-1/2 | RFK2-015C 30.16 | RFK3-015C 38.57 | 1 | 10 | 299 |
| 2 | RFK2-020C 40.95 | RFK3-020C 48.89 | 1 | 10 | 299 |
| 2-1/2 | RFK2-025C 86.49 | RFK3-025C 103.29 | 1 | 5 | 299 |
| 3 | RFK2-030C 115.92 | RFK3-030C 140.49 | 1 | 5 | 299 |

True Union Retrofit Kits - Older "Regular Style" Spears® Valves (Socket Style Only) CPVC

| Size | EPDM | FKM | Std Pk | Mstr Pk | Disc Code |
|-------|---------------------|---------------------|--------|---------|-----------|
| 1/2 | RFKS2-005C 14.75 | RFKS3-005C 15.98 | 1 | 10 | 299 |
| 3/4 | RFKS2-007C 16.60 | RFKS3-007C 20.15 | 1 | 10 | 299 |
| 1 | RFKS2-010C 18.97 | RFKS3-010C 23.13 | 1 | 10 | 299 |
| 1-1/4 | RFKS2-012C 24.71 | RFKS3-012C 32.09 | 1 | 10 | 299 |
| 1-1/2 | RFKS2-015C 30.16 | RFKS3-015C 38.57 | 1 | 10 | 299 |
| 2 | RFKS2-020C 40.95 | RFKS3-020C 48.89 | 1 | 5 | 299 |



Thermoplastic Valves Ball Valve Accessories & Repair Kits

True Union Retrofit Kits - Older "Regular Style" Spears® Valves (Socket Style Only) CPVC (continued)

| Size | EPDM | FKM | Std Pk | Mstr Pk | Disc Code |
|--------------|-----------------------------|-----------------------------|--------|---------|-----------|
| 2-1/2 | RFKS2-025C 86.49 | RFKS3-025C 103.29 | 1 | 5 | 299 |
| 3 | RFKS2-030C 115.92 | RFKS3-030C 140.49 | 1 | 5 | 299 |
| 4 | RFKS2-040C 165.75 | RFKS3-040C 218.97 | 1 | 2 | 299 |

Supplemental End Connector Sets



Set of 2 End Connectors with O-rings for all True Union 2000 Ball Valves, Sch 80 Union 2000 fittings and True Union Style Diaphragm Valves.

PVC - Supplemental End Connector Sets

| Size | EPDM | FKM | Std Pk | Mstr Pk | Disc Code |
|-------------------------|-----------------------------|-----------------------------|--------|---------|-----------|
| SR Threaded Ends | | | | | |
| 1/2 | ECSRT2-005 8.21 | ECSRT3-005 10.35 | 1 | 25 | 299 |
| 3/4 | ECSRT2-007 11.87 | ECSRT3-007 13.20 | 1 | 25 | 299 |
| 1 | ECSRT2-010 13.22 | ECSRT3-010 14.81 | 1 | 25 | 299 |
| 1-1/4 | ECSRT2-012 17.52 | ECSRT3-012 22.65 | 1 | 10 | 299 |
| 1-1/2 | ECSRT2-015 23.84 | ECSRT3-015 28.56 | 1 | 10 | 299 |
| 2 | ECSRT2-020 31.34 | ECSRT3-020 36.89 | 1 | 10 | 299 |
| 2-1/2 | ECSRT2-025 64.18 | ECSRT3-025 78.95 | 1 | 5 | 299 |
| 3 | ECSRT2-030 77.66 | ECSRT3-030 91.27 | 1 | 5 | 299 |
| 4 | ECSRT2-040 107.48 | ECSRT3-040 142.14 | 1 | 4 | 299 |
| 6 | ECSRT2-060 232.18 | ECSRT3-060 307.00 | 1 | 4 | 299 |

Socket Ends

| | | | | | |
|--------------|--------------------------|---------------------------|---|----|-----|
| 1/2 | ECS2-005 7.13 | ECS3-005 9.28 | 1 | 25 | 299 |
| 3/4 | ECS2-007 9.26 | ECS3-007 10.59 | 1 | 25 | 299 |
| 1 | ECS2-010 10.47 | ECS3-010 12.24 | 1 | 25 | 299 |
| 1-1/4 | ECS2-012 12.32 | ECS3-012 17.51 | 1 | 10 | 299 |
| 1-1/2 | ECS2-015 15.45 | ECS3-015 20.16 | 1 | 10 | 299 |
| 2 | ECS2-020 22.25 | ECS3-020 27.80 | 1 | 10 | 299 |
| 2-1/2 | ECS2-025 40.94 | ECS3-025 55.69 | 1 | 5 | 299 |
| 3 | ECS2-030 54.44 | ECS3-030 68.04 | 1 | 5 | 299 |
| 4 | ECS2-040 80.37 | ECS3-040 114.98 | 1 | 4 | 299 |

PVC - Supplemental End Connector Sets (continued)

| Size | EPDM | FKM | Std Pk | Mstr Pk | Disc Code |
|--------------------|---------------------------|----------------------------|--------|---------|-----------|
| Socket Ends | | | | | |
| 6 | ECS2-060 173.58 | ECS3-060 248.40 | 1 | 0 | 299 |
| Spigot Ends | | | | | |
| 1/2 | ECSP2-005 7.13 | ECSP3-005 9.28 | 1 | 25 | 299 |
| 3/4 | ECSP2-007 9.26 | ECSP3-007 10.59 | 1 | 25 | 299 |
| 1 | ECSP2-010 10.47 | ECSP3-010 12.24 | 1 | 25 | 299 |
| 1-1/4 | ECSP2-012 12.32 | ECSP3-012 17.51 | 1 | 10 | 299 |
| 1-1/2 | ECSP2-015 15.45 | ECSP3-015 20.16 | 1 | 10 | 299 |
| 2 | ECSP2-020 22.25 | ECSP3-020 27.80 | 1 | 10 | 299 |
| 2-1/2 | ECSP2-025 40.94 | ECSP3-025 55.69 | 1 | 5 | 299 |
| 3 | ECSP2-030 54.44 | ECSP3-030 68.04 | 1 | 5 | 299 |
| 4 | ECSP2-040 80.37 | ECSP3-040 114.98 | 1 | 4 | 299 |

CPVC - Supplemental End Connector Sets

| Size | EPDM | FKM | Std Pk | Mstr Pk | Disc Code |
|-------------------------|------------------------------|------------------------------|--------|---------|-----------|
| SR Threaded Ends | | | | | |
| 1/2 | ECSRT2-005C 11.41 | ECSRT3-005C 12.26 | 1 | 25 | 299 |
| 3/4 | ECSRT2-007C 14.21 | ECSRT3-007C 16.68 | 1 | 25 | 299 |
| 1 | ECSRT2-010C 15.86 | ECSRT3-010C 18.79 | 1 | 25 | 299 |
| 1-1/4 | ECSRT2-012C 23.25 | ECSRT3-012C 30.87 | 1 | 10 | 299 |
| 1-1/2 | ECSRT2-015C 29.49 | ECSRT3-015C 35.39 | 1 | 10 | 299 |
| 2 | ECSRT2-020C 37.76 | ECSRT3-020C 43.33 | 1 | 10 | 299 |
| 2-1/2 | ECSRT2-025C 83.74 | ECSRT3-025C 95.56 | 1 | 5 | 299 |
| 3 | ECSRT2-030C 104.37 | ECSRT3-030C 121.60 | 1 | 5 | 299 |
| 4 | ECSRT2-040C 143.16 | ECSRT3-040C 180.43 | 1 | 4 | 299 |
| 6 | ECSRT2-060C 309.23 | ECSRT3-060C 389.69 | 1 | 4 | 299 |

Socket Ends

| | | | | | |
|--------------|----------------------------|----------------------------|---|----|-----|
| 1/2 | ECS2-005C 10.33 | ECS3-005C 11.19 | 1 | 25 | 299 |
| 3/4 | ECS2-007C 11.62 | ECS3-007C 14.09 | 1 | 25 | 299 |
| 1 | ECS2-010C 13.26 | ECS3-010C 16.18 | 1 | 25 | 299 |
| 1-1/4 | ECS2-012C 18.06 | ECS3-012C 22.47 | 1 | 10 | 299 |
| 1-1/2 | ECS2-015C 21.09 | ECS3-015C 27.00 | 1 | 10 | 299 |
| 2 | ECS2-020C 28.67 | ECS3-020C 34.22 | 1 | 10 | 299 |
| 2-1/2 | ECS2-025C 60.55 | ECS3-025C 72.31 | 1 | 5 | 299 |
| 3 | ECS2-030C 81.13 | ECS3-030C 98.37 | 1 | 5 | 299 |
| 4 | ECS2-040C 116.03 | ECS3-040C 153.28 | 1 | 4 | 299 |
| 6 | ECS2-060C 250.64 | ECS3-060C 331.09 | 1 | 0 | 299 |

Spigot Ends

| | | | | | |
|------------|----------------------------|----------------------------|---|----|-----|
| 1/2 | ECSP2-005C 10.33 | ECSP3-005C 11.19 | 1 | 25 | 299 |
| 3/4 | ECSP2-007C 11.62 | ECSP3-007C 14.09 | 1 | 25 | 299 |

Thermoplastic Valves Ball Valve Accessories & Repair Kits



CPVC - Supplemental End Connector Sets (continued)

| Size | EPDM | FKM | Std Pk | Mstr Pk | Disc Code |
|--------------|-----------------------------|-----------------------------|--------|---------|-----------|
| 1 | ECSP2-010C 13.26 | ECSP3-010C 16.18 | 1 | 25 | 299 |
| 1-1/4 | ECSP2-012C 18.06 | ECSP3-012C 22.47 | 1 | 10 | 299 |
| 1-1/2 | ECSP2-015C 21.09 | ECSP3-015C 27.00 | 1 | 10 | 299 |
| 2 | ECSP2-020C 28.67 | ECSP3-020C 34.22 | 1 | 10 | 299 |
| 2-1/2 | ECSP2-025C 60.55 | ECSP3-025C 72.31 | 1 | 5 | 299 |
| 3 | ECSP2-030C 81.13 | ECSP3-030C 98.37 | 1 | 5 | 299 |
| 4 | ECSP2-040C 116.03 | ECSP3-040C 153.28 | 1 | 4 | 299 |

Spigot Ends

Split Nut Repair Kits



Split Nut Repair Kit

Designed to replace broken union nuts on all True Union 2000 Ball Valves and Sch 80 Union 2000 fittings

Kit includes:

- 2-Split Nut Halves
 - 1-SS316 Gear Clamp
- Full valve pressure rating maintained

Split Nut Repair Kits

| Size | PVC | CPVC | Std Pk | Mstr Pk | Disc Code |
|--------------|--------------------------|---------------------------|--------|---------|-----------|
| 1/2 | SNK-005 8.42 | SNK-005C 12.96 | 25 | 200 | 299 |
| 3/4 | SNK-007 10.41 | SNK-007C 16.35 | 1 | 25 | 299 |
| 1 | SNK-010 13.03 | SNK-010C 20.01 | 1 | 25 | 299 |
| 1-1/4 | SNK-012 16.31 | SNK-012C 26.69 | 1 | 25 | 299 |
| 1-1/2 | SNK-015 21.79 | SNK-015C 38.28 | 1 | 25 | 299 |
| 2 | SNK-020 33.19 | SNK-020C 57.43 | 1 | 25 | 299 |
| 3 | SNK-030 90.06 | SNK-030C 207.36 | 1 | 6 | 299 |
| 4 | SNK-040 150.12 | SNK-040C 290.39 | 1 | 6 | 299 |

True Union 2000 Valve Seal Carrier Tools



True Union 2000 Valve Seal Carrier Tools

| Part Number | Size | Std Pk | Mstr Ctn | Disc Code | Price Each |
|------------------------------------------------------|--------------|--------|----------|-----------|------------|
| True Union 2000 Check Valve Seal Carrier Tool | | | | | |
| TSK-00503 | 1/2 | 1000 | 0 | 299 | .83 |
| TSK-00703 | 3/4 | 1800 | 0 | 299 | .83 |
| TSK-01003 | 1 | 1800 | 0 | 299 | .83 |
| TSK-01203 | 1-1/4 | 1500 | 0 | 299 | 1.67 |
| TSK-01503 | 1-1/2 | 800 | 0 | 299 | 1.67 |
| TSK-02003 | 2 | 550 | 0 | 299 | 1.67 |
| TSK-03003 | 3 | 200 | 0 | 299 | 5.01 |

True Union 2000 Valve Seal Carrier Tools (continued)

| Part Number | Size | Std Pk | Mstr Ctn | Disc Code | Price Each |
|-----------------------------------------------------|--------------|--------|----------|-----------|------------|
| TSK-04003 | 4 | 150 | 0 | 299 | 5.01 |
| TSK-06003 | 6 | 40 | 0 | 299 | 10.37 |
| True Union 2000 Ball Valve Seal Carrier Tool | | | | | |
| TSK1-00503 | 1/2 | 2200 | 0 | 299 | .83 |
| TSK1-00703 | 3/4 | 1800 | 0 | 299 | .83 |
| TSK1-01003 | 1 | 1600 | 0 | 299 | .83 |
| TSK1-01203 | 1-1/4 | 1200 | 0 | 299 | 1.67 |
| TSK1-01503 | 1-1/2 | 700 | 0 | 299 | 1.67 |
| TSK1-02003 | 2 | 550 | 0 | 299 | 1.67 |
| TSK-03003 | 3 | 200 | 0 | 299 | 5.01 |
| TSK-04003 | 4 | 150 | 0 | 299 | 5.01 |
| TSK-06003 | 6 | 40 | 0 | 299 | 10.37 |

Seal Carrier Adjustment Tool for Regular True Union Valves (not shown)

| Part Number | Size | Std Pk | Mstr Ctn | Disc Code | Price Each |
|-------------|------------------|--------|----------|-----------|------------|
| VT-025-040 | 2-1/2 - 4 | 20 | 0 | 299 | 44.08 |

Designed for use on Spears® 2-1/2", 3", & 4" Regular True Union Ball Valves for quick, easy adjustment of valve seal carriers using a standard 1", 6-point socket.



Thermoplastic Valves Ball Valve Accessories & Repair Kits

Stem Extension Kits



Desired Handle Height for Factory Assembled One-Piece Units

| Desired Handle Height | Code | Desired Handle Height | Code | Desired Handle Height | Code | Desired Handle Height | Code |
|-----------------------|------|-----------------------|------|-----------------------|------|-----------------------|------|
| 5" | 050 | 16" | 160 | 27" | 270 | 38" | 380 |
| 6" | 060 | 17" | 170 | 28" | 280 | 39" | 390 |
| 7" | 070 | 18" | 180 | 29" | 290 | 40" | 400 |
| 8" | 080 | 19" | 190 | 30" | 300 | 41" | 410 |
| 9" | 090 | 20" | 200 | 31" | 310 | 42" | 420 |
| 10" | 100 | 21" | 210 | 32" | 320 | 43" | 430 |
| 11" | 110 | 22" | 220 | 33" | 330 | 44" | 440 |
| 12" | 120 | 23" | 230 | 34" | 340 | 45" | 450 |
| 13" | 130 | 24" | 240 | 35" | 350 | 46" | 460 |
| 14" | 140 | 25" | 250 | 36" | 360 | 47" | 470 |
| 15" | 150 | 26" | 260 | 37" | 370 | 48" | 480 |

If desired handle height is in increments of less than a full inch, substitute the last "0" of the three-digit code with a "2" for 1/4", a "5" for 1/2", or a "7" for 3/4". EXAMPLE: If ordering a Stem Extension Kit for a 1/2" valve with a desired handle height of 14-3/4", the part number would read: BVSE-005-147.

- * Desired length of PVC Schedule 80 Pipe purchased separately and assembled by others.
- ** Factory assembled with solvent cemented PVC Schedule 80 pipe. To order, fill in the last three digits of the part number with the three-digit code representing the desired handle height from the chart above. FACTORY SOLVENT CEMENTED STEM EXTENSION KITS, ONCE PRODUCED ARE NON-CANCELLABLE AND NON-RETURNABLE.

IMPORTANT NOTE

The following minimum handle heights apply to use of all Stem Extension Kits.

| Valve Size (in.) | 1/2 | 3/4 | 1 | 1-1/4 | 1-1/2 | 2 | 2-1/2 | 3 | 4 | 6 |
|-------------------------------------------------------------------|--------|--------|-------|-------|-------|--------|---------|---------|--------|--------|
| True Union 2000 Industrial Ball Valves | | | | | | | | | | |
| Minimum Height (in.) | 4-9/16 | 5-3/16 | 5-1/2 | 6-3/4 | 7-3/8 | 8 | 9-13/16 | 9-13/16 | 11-5/8 | 12-3/4 |
| True Union 2000 Standard, Compact 2000 & Single Entry Ball Valves | | | | | | | | | | |
| Minimum Height (in.) | 3-5/8 | 4-1/4 | 4-3/4 | 6 | 6-3/8 | 7-7/16 | 9-1/2 | 9-1/2 | 11 | N/A |
| Regular True Union & Compact Ball Valves | | | | | | | | | | |
| Minimum Height (in.) | 4-1/2 | 5-1/4 | 5-1/2 | 7 | 7-1/2 | 8 | 9 | 9 | 10-1/2 | N/A |

Stem Extension Kits (Two Piece)

| Part Number | Size | Std Pk | Mstr Ctn | Disc Code | Price Each |
|-------------|------|--------|----------|-----------|------------|
|-------------|------|--------|----------|-----------|------------|

Fits Spears Regular True Union and Compact Ball Valves, 1/2"-2" = 3-Slot Stem, 2-1/2"-4" = Double Flats Stem

| | | | | | |
|---------------|----------|---|----|-----|-------|
| BVSE-005-000* | 1/2 | 1 | 25 | 299 | 10.80 |
| BVSE-007-000* | 3/4 | 1 | 25 | 299 | 11.98 |
| BVSE-010-000* | 1 | 1 | 25 | 299 | 11.98 |
| BVSE-012-000* | 1-1/4 | 1 | 25 | 299 | 19.41 |
| BVSE-015-000* | 1-1/2 | 1 | 25 | 299 | 22.05 |
| BVSE-020-000* | 2 | 1 | 25 | 299 | 23.97 |
| BVSE-030-000* | 2-1/2, 3 | 1 | 25 | 299 | 24.45 |
| BVSE-040-000* | 4 | 1 | 25 | 299 | 33.58 |

Optional Factory Assembled (One-Piece)

| Part Number | Disc Code | 5"-12" Handle Height | 13"-18" Handle Height | 19"-24" Handle Height | 25"-36" Handle Height | 37"-48" Handle Height |
|---------------|-----------|----------------------|-----------------------|-----------------------|-----------------------|-----------------------|
| BVSE-005-__** | 299 | 17.75 | 19.22 | 20.80 | 27.57 | 32.06 |
| BVSE-007-__** | 299 | 19.05 | 20.48 | 22.06 | 28.84 | 33.35 |
| BVSE-010-__** | 299 | 19.05 | 20.48 | 22.06 | 28.84 | 33.35 |
| BVSE-012-__** | 299 | 29.71 | 30.68 | 33.97 | 42.97 | 48.37 |
| BVSE-015-__** | 299 | 32.48 | 35.06 | 36.73 | 45.76 | 51.15 |
| BVSE-020-__** | 299 | 34.53 | 37.07 | 38.75 | 47.80 | 53.17 |
| BVSE-030-__** | 299 | 35.28 | 37.61 | 39.24 | 48.28 | 53.65 |
| BVSE-040-__** | 299 | 48.61 | 52.67 | 56.33 | 63.68 | 73.94 |

Stem Extension Kits (Two Piece)

| Part Number | Size | Std Pk | Mstr Ctn | Disc Code | Price Each |
|-------------|------|--------|----------|-----------|------------|
|-------------|------|--------|----------|-----------|------------|

Fits All True Union 2000, Compact 2000 & Single Entry Ball Valves (Except 3-Way) 1/2" - 3" = 3-Slot Stem, sizes 4"-6" = Double Flats Stem

| | | | | | |
|----------------|----------|---|----|-----|-------|
| BVSE2-005-000* | 1/2 | 1 | 25 | 299 | 10.80 |
| BVSE2-007-000* | 3/4 | 1 | 25 | 299 | 11.98 |
| BVSE2-010-000* | 1 | 1 | 25 | 299 | 11.98 |
| BVSE2-012-000* | 1-1/4 | 1 | 25 | 299 | 19.41 |
| BVSE2-015-000* | 1-1/2 | 1 | 25 | 299 | 22.05 |
| BVSE2-020-000* | 2 | 1 | 25 | 299 | 23.97 |
| BVSE2-030-000* | 2-1/2, 3 | 1 | 25 | 299 | 24.45 |
| BVSE2-040-000* | 4 | 1 | 25 | 299 | 33.58 |
| BVSE2-060-000* | 6 | 1 | 25 | 299 | 62.12 |

Optional Factory Assembled (One-Piece)

| Part Number | Disc Code | 5"-12" Handle Height | 13"-18" Handle Height | 19"-24" Handle Height | 25"-36" Handle Height | 37"-48" Handle Height |
|----------------|-----------|----------------------|-----------------------|-----------------------|-----------------------|-----------------------|
| BVSE2-005-__** | 299 | 17.75 | 19.22 | 20.80 | 27.57 | 32.06 |
| BVSE2-007-__** | 299 | 19.05 | 20.48 | 22.06 | 28.84 | 33.35 |
| BVSE2-010-__** | 299 | 19.05 | 20.48 | 22.06 | 28.84 | 33.35 |
| BVSE2-012-__** | 299 | 29.71 | 30.68 | 33.97 | 42.97 | 48.37 |
| BVSE2-015-__** | 299 | 32.48 | 35.06 | 36.73 | 45.76 | 51.15 |
| BVSE2-020-__** | 299 | 34.53 | 37.07 | 38.75 | 47.80 | 53.17 |
| BVSE2-030-__** | 299 | 35.28 | 37.61 | 39.24 | 48.28 | 53.65 |
| BVSE2-040-__** | 299 | 48.61 | 52.67 | 56.33 | 63.68 | 73.94 |
| BVSE2-060-__** | 299 | 90.01 | 97.57 | 104.32 | 117.91 | 136.91 |

Round Safety Handle Kits



Regular fits Spears® Regular True Union and Compact Ball Valves in sizes 1/2" - 2" with 3-Slot Stem and in sizes 2-1/2" - 4" with 1-Slot Stem.

Industrial fits All True Union 2000, Compact 2000, and Single Entry Ball Valves in sizes 1/2" - 2" with 3-Slot Stem and in sizes 2-1/2" - 4" with 1-Slot Stem. The 6" size has a Double-Flat Stem pattern.

Round Safety Handle Kits

| Size | Regular | Industrial | Std Pk | Mstr Pk | Disc Code |
|-------|------------------|-------------------|--------|---------|-----------|
| 1/2 | RSH-005 13.92 | RSH2-005 13.92 | 500 | 0 | 299 |
| 3/4 | RSH-007 16.78 | RSH2-007 16.78 | 300 | 0 | 299 |
| 1 | RSH-010 17.73 | RSH2-010 17.73 | 210 | 0 | 299 |
| 1-1/4 | RSH-012 21.07 | RSH2-012 21.07 | 200 | 0 | 299 |

Thermoplastic Valves Ball Valve Accessories & Repair Kits



Round Safety Handle Kits (continued) 2" Operator Nuts

| Size | Regular | Industrial | Std Pk | Mstr Pk | Disc Code |
|-----------|------------------|-------------------|--------|---------|-----------|
| 1-1/2 | RSH-015 21.07 | RSH2-015 21.07 | 100 | 0 | 299 |
| 2 | RSH-020 27.33 | RSH2-020 27.33 | 60 | 0 | 299 |
| 2-1/2 & 3 | RSH-030 58.48 | RSH2-030 58.48 | 25 | 0 | 299 |
| 4 | RSH-040 78.61 | RSH2-040 78.61 | 16 | 0 | 299 |
| 6 | --- | RSH2-060 95.17 | 16 | 0 | 299 |



Industrial & Regular (VTN2 Series) Operator Nuts fit Regular True Union, True Union 2000, Compact, Compact 2000 and Single Entry Ball Valves in sizes 1/2" - 2" with current 3-Slot Stems and in sizes 2-1/2", 3", and 4" with current 1-Slot Stems. The VTN-040 fits the 6" size with a Double-Flat Stem pattern.

2" Operator Nuts

| Part Number | Size | Std Pk | Mstr Ctn | Disc Code | Price Each |
|-------------|------|--------|----------|-----------|------------|
|-------------|------|--------|----------|-----------|------------|

Regular

| | | | | | |
|---------|-----------|----|----|-----|--------|
| VTN-030 | 2-1/2 & 3 | 10 | 40 | 299 | 107.86 |
| VTN-040 | 4 | 5 | 0 | 299 | 107.86 |

Industrial

| | | | | | |
|----------|-----------|----|----|-----|-------|
| VTN2-005 | 1/2 | 10 | 60 | 299 | 12.96 |
| VTN2-007 | 3/4 | 10 | 60 | 299 | 17.24 |
| VTN2-010 | 1 | 10 | 60 | 299 | 21.59 |
| VTN2-012 | 1-1/4 | 10 | 60 | 299 | 25.89 |
| VTN2-015 | 1-1/2 | 10 | 60 | 299 | 38.85 |
| VTN2-020 | 2 | 10 | 60 | 299 | 64.71 |
| VTN2-030 | 2-1/2 & 3 | 10 | 40 | 299 | 70.79 |
| VTN2-040 | 4 | 5 | 0 | 299 | 75.05 |

Handle Lockout Ring



Spears® Handle Lockout Ring is for use with Spears® True Union 2000 Industrial Ball Valves with built-in handle lockout mechanism. Normal handle lockout operation allows lockout in both open and closed positions. The Lockout Ring limits lockout operation to either a lock-open only or a lock-closed only position, according to the position in which the Lockout Ring is installed.

Handle Lockout Ring

| Part Number | Size | Std Pk | Mstr Ctn | Disc Code | Price Each |
|-------------|-----------|--------|----------|-----------|------------|
| TU2LR-005 | 1/2 | 250 | 3000 | 299 | 19.97 |
| TU2LR-007 | 3/4 | 250 | 3000 | 299 | 19.97 |
| TU2LR-010 | 1 | 250 | 3000 | 299 | 19.97 |
| TU2LR-012 | 1-1/4 | 1 | 25 | 299 | 19.97 |
| TU2LR-015 | 1-1/2 | 1 | 25 | 299 | 22.47 |
| TU2LR-020 | 2 | 1 | 25 | 299 | 22.47 |
| TU2LR-030 | 2-1/2 & 3 | 1 | 25 | 299 | 24.97 |
| TU2LR-040 | 4 | 1 | 25 | 299 | 24.97 |

Multi-Mount Mounting Bracket



TUMB2 fits all True Union 2000 Ball Valves (except 3-Way). TUMB fits Regular True Union Ball Valves.

Multi-Mount Mounting Bracket

| Size | TU 2000 | Regular True Union | Std Pk | Mstr Pk | Disc Code |
|----------|---------------------|--------------------|--------|---------|-----------|
| 1/2 | TUMB2-005 47.20 | TUMB-005 47.20 | 1 | 10 | 299 |
| 3/4 | TUMB2-007 50.01 | TUMB-007 50.01 | 1 | 10 | 299 |
| 1 | TUMB2-010 53.81 | TUMB-010 53.81 | 1 | 10 | 299 |
| 1-1/4 | TUMB2-012 56.32 | TUMB-012 56.32 | 1 | 10 | 299 |
| 1-1/2 | TUMB2-015 60.66 | TUMB-015 60.66 | 1 | 10 | 299 |
| 2 | TUMB2-020 67.68 | TUMB-020 67.68 | 1 | 10 | 299 |
| 2-1/2, 3 | TUMB2-030 128.57 | TUMB-030 128.57 | 1 | 4 | 299 |
| 4 | TUMB2-040 157.25 | TUMB-040 157.25 | 1 | 4 | 299 |

Multi-Mount Actuator Mounting Platform



Add-on actuator adapter. Use MMP1 with True Union 2000 Multi-Mount Bracket. Use MMP with Regular True Union.

Multi-Mount Actuator Mounting Platform

| Size | TU 2000 | Regular True Union | Std Pk | Mstr Pk | Disc Code |
|----------|-------------------|--------------------|--------|---------|-----------|
| 1/2 | MMP1-005 19.97 | MMP-005 19.97 | 1 | 10 | 299 |
| 3/4 | MMP1-007 20.65 | MMP-007 20.65 | 1 | 10 | 299 |
| 1 | MMP1-010 24.11 | MMP-010 24.11 | 1 | 10 | 299 |
| 1-1/4 | MMP1-012 26.33 | MMP-012 26.33 | 1 | 10 | 299 |
| 1-1/2 | MMP1-015 35.99 | MMP-015 35.99 | 1 | 10 | 299 |
| 2 | MMP1-020 40.71 | MMP-020 40.71 | 1 | 10 | 299 |
| 2-1/2, 3 | MMP1-030 91.86 | MMP-030 91.86 | 1 | 5 | 299 |



Thermoplastic Valves Ball Valve Accessories & Repair Kits

Multi-Mount Actuator Mounting Platform (continued)

| Size | TU 2000 | Regular True Union | Std Pk | Mstr Pk | Disc Code |
|------|--------------------|--------------------|--------|---------|-----------|
| 4 | MMP1-040 105.85 | MMP-040 105.85 | 1 | 5 | 299 |

True Union Multi-Mount Mounting Kit



Complete Multi-Mount Actuation Mounting Kit fits all True Union 2000 (except 3-Way) and Regular True Union Ball Valves.

True Union Multi-Mount Mounting Kit

| Size | TU 2000 | Regular True Union | Std Pk | Mstr Pk | Disc Code |
|-----------|---------------------|--------------------|--------|---------|-----------|
| 1/2 | TUAK1-005 63.84 | TUAK-005 63.84 | 1 | 5 | 299 |
| 3/4 | TUAK1-007 67.17 | TUAK-007 67.17 | 1 | 5 | 299 |
| 1 | TUAK1-010 74.07 | TUAK-010 74.07 | 1 | 5 | 299 |
| 1-1/4 | TUAK1-012 78.54 | TUAK-012 78.54 | 1 | 5 | 299 |
| 1-1/2 | TUAK1-015 91.85 | TUAK-015 91.85 | 1 | 5 | 299 |
| 2 | TUAK1-020 102.97 | TUAK-020 102.97 | 1 | 5 | 299 |
| 2-1/2 & 3 | TUAK1-030 209.42 | TUAK-030 209.42 | 1 | 5 | 299 |
| 4 | TUAK1-040 249.94 | TUAK-040 249.94 | 1 | 2 | 299 |

True Union 2000 Low Profile Actuator Mounting Kit



Industrial Unit - Top-mount actuator mounting system for True Union 2000 Industrial (1800 series) & 3-Way Ball Valves

Standard Unit - Top-mount actuator mounting system for True Union 2000 Standard Ball Valves (3600 series) and Compact 2000 Ball Valves (6600 series)

Note: Low Profile Mounting Kit will not work with Multi-Mount Valve Mounting Bracket - See Mini-Mount actuation Mounting Kit or Mini-Mount Combo Actuation Mounting Kit

True Union 2000 Low Profile Actuator Mounting Kit Mini-Mount Actuator Mounting Kit

| Size | TU 2000 Industrial | TU 2000 Standard & Compact | Std Pk | Mstr Pk | Disc Code |
|-------|--------------------|----------------------------|--------|---------|-----------|
| 1/2 | AMB5-005 14.63 | AMB6-005 14.63 | 1 | 10 | 299 |
| 3/4 | AMB5-007 17.78 | AMB6-007 17.78 | 1 | 10 | 299 |
| 1 | AMB5-010 21.54 | AMB6-010 21.54 | 1 | 10 | 299 |
| 1-1/4 | AMB5-012 24.07 | AMB6-012 24.07 | 1 | 10 | 299 |
| 1-1/2 | AMB5-015 26.31 | AMB6-015 26.31 | 1 | 10 | 299 |
| 2 | AMB5-020 34.51 | AMB6-020 34.51 | 1 | 10 | 299 |
| 3 | AMB5-030 72.06 | AMB6-030 72.06 | 1 | 10 | 299 |
| 4 | AMB5-040 75.85 | AMB6-040 75.85 | 1 | 5 | 299 |
| 6 | AMB5-060 110.64 | --- | 1 | 5 | 299 |



Industrial Unit - Top-mount actuator mounting system for True Union 2000 Industrial (1800 series) & 3-Way Ball Valves

Standard Unit - Top-mount actuator mounting system for True Union 2000 Standard Ball Valves (3600 series) and Compact 2000 Ball Valves (6600 series)

Compact Unit - Top-mount actuator mounting system for Regular Style Compact Ball Valves (2100 series)

Mini-Mount Actuator Mounting Kit

| Size | TU 2000 Industrial | TU 2000 Standard/Compact | Compact (Regular) | Std Pk | Mstr Pk | Disc Code |
|------|--------------------|--------------------------|-------------------|--------|---------|-----------|
| 1/2 | AMB2-005 14.63 | AMB3-005 14.63 | AMB4-005 14.63 | 1 | 10 | 299 |
| 3/4 | AMB2-007 17.78 | AMB3-007 17.78 | AMB4-007 17.78 | 1 | 10 | 299 |
| 1 | AMB2-010 21.54 | AMB3-010 21.54 | AMB4-010 21.54 | 1 | 10 | 299 |

Thermoplastic Valves Ball Valve Accessories & Repair Kits



Mini-Mount Actuator Mounting Kit (continued) True Union 2000 Mini-Mount Combo

| Size | TU 2000 Industrial | TU 2000 Standard/Compact | Compact (Regular) | Std Pk | Mstr Pk | Disc Code |
|-------|--------------------|--------------------------|-------------------|--------|---------|-----------|
| 1-1/4 | AMB2-012 24.07 | AMB3-012 24.07 | AMB4-012 24.07 | 1 | 10 | 299 |
| | AMB2-015 26.31 | AMB3-015 26.31 | AMB4-015 26.31 | 1 | 10 | 299 |
| 2 | AMB2-020 34.51 | AMB3-020 34.51 | AMB4-020 34.51 | 1 | 10 | 299 |
| | AMB2-030 72.06 | AMB3-030 72.06 | AMB4-030 72.06 | 1 | 10 | 299 |
| 4 | AMB2-040 75.85 | AMB3-040 75.85 | AMB4-040 75.85 | 1 | 5 | 299 |
| | AMB2-060 110.64 | --- | --- | 1 | 5 | 299 |



Industrial Unit – Top-mount actuator mounting system with valve support mounting bracket for True Union 2000 Industrial (1800 series) Ball Valve (will not fit 3-Way)
Standard Unit – Top-mount actuator mounting system with valve support mounting bracket for True Union 2000 (3600 series) Standard Ball Valve

True Union 2000 Mini-Mount Combo

| Size | Industrial | Standard | Std Pk | Mstr Pk | Disc Code |
|-------|---------------------|---------------------|--------|---------|-----------|
| 1/2 | TUAK2-005 63.84 | TUAK3-005 63.84 | 1 | 5 | 299 |
| | TUAK2-007 67.17 | TUAK3-007 67.17 | 1 | 10 | 299 |
| 1 | TUAK2-010 74.07 | TUAK3-010 74.07 | 1 | 5 | 299 |
| | TUAK2-012 78.54 | TUAK3-012 78.54 | 1 | 5 | 299 |
| 1-1/2 | TUAK2-015 91.85 | TUAK3-015 91.85 | 1 | 5 | 299 |
| | TUAK2-020 102.97 | TUAK3-020 102.97 | 1 | 5 | 299 |
| 3 | TUAK2-030 209.42 | TUAK3-030 209.42 | 1 | 5 | 299 |
| | TUAK2-040 249.94 | TUAK3-040 249.94 | 1 | 2 | 299 |

True Union 2000 Valve Repair Kits — Industrial Ball Valve

Industrial Kit includes:
 2-PTFE Seats
 2-End Connector O-rings
 2-Stem O-rings
 1-Seal Carrier O-ring
 1-PTFE Stem Bearing
 2-Seat O-rings (where applicable)

True Union 2000 Valve Repair Kits

| Size | EPDM | FKM | Std Pk | Mstr Pk | Disc Code |
|------|----------------------|----------------------|--------|---------|-----------|
| 1/2 | TU2-ERK-005 19.67 | TU2-VRK-005 22.28 | 1 | 10 | 299 |
| | TU2-ERK-007 22.28 | TU2-VRK-007 23.03 | 1 | 10 | 299 |
| 1 | TU2-ERK-010 23.03 | TU2-VRK-010 29.37 | 1 | 10 | 299 |
| | TU2-ERK-012 28.00 | TU2-VRK-012 47.06 | 1 | 10 | 299 |

Industrial Ball Valve

True Union 2000 Valve Repair Kits (continued)

| Size | EPDM | FKM | Std Pk | Mstr Pk | Disc Code |
|-----------|-----------------------|-----------------------|--------|---------|-----------|
| 1-1/2 | TU2-ERK-015 40.18 | TU2-VRK-015 61.62 | 1 | 10 | 299 |
| | TU2-ERK-020 46.25 | TU2-VRK-020 86.26 | 1 | 10 | 299 |
| 2-1/2 & 3 | TU2-ERK-030 106.74 | TU2-VRK-030 139.96 | 1 | 10 | 299 |
| | TU2-ERK-040 151.80 | TU2-VRK-040 181.40 | 1 | 10 | 299 |
| 6 | TU2-ERK-060 276.55 | TU2-VRK-060 352.47 | 1 | 10 | 299 |

Industrial Ball Valve

True Union 2000 Valve Repair Kits — Standard Ball Valve

Standard Kit includes:
 2-HDPE/PTFE Seats
 2-End Connector O-rings
 2-Stem O-rings
 1-Seal Carrier O-ring
 2-Seat O-rings (where applicable)

Standard Ball Valve

| Size | EPDM | FKM | Std Pk | Mstr Pk | Disc Code |
|-----------|-----------------------|-----------------------|--------|---------|-----------|
| 1/2 | TU1-ERK-005 18.72 | TU1-VRK-005 21.18 | 1 | 10 | 299 |
| | TU1-ERK-007 21.18 | TU1-VRK-007 21.91 | 1 | 10 | 299 |
| 1 | TU1-ERK-010 21.91 | TU1-VRK-010 27.88 | 1 | 10 | 299 |
| | TU1-ERK-012 26.57 | TU1-VRK-012 44.72 | 1 | 10 | 299 |
| 1-1/2 | TU1-ERK-015 38.18 | TU1-VRK-015 58.55 | 1 | 10 | 299 |
| | TU1-ERK-020 43.93 | TU1-VRK-020 90.81 | 1 | 10 | 299 |
| 2-1/2 & 3 | TU1-ERK-030 101.39 | TU1-VRK-030 132.95 | 1 | 10 | 299 |
| | TU1-ERK-040 144.23 | TU1-VRK-040 172.33 | 1 | 10 | 299 |

True Union 2000 Valve Repair Kits — 3-Way Ball Valve

3-Way Kit includes:
 2-PTFE Seats (no branch seal)
 3-End Connector O-rings
 2-Stem O-rings
 1-Seal Carrier O-ring
 1-Stem Bushing
 2-Seat O-rings (where applicable)

3-Way Ball Valve

| Size | EPDM | FKM | Std Pk | Mstr Pk | Disc Code |
|-----------|-----------------------|-----------------------|--------|---------|-----------|
| 1/2 | TU3-ERK-005 28.13 | TU3-VRK-005 31.85 | 1 | 10 | 299 |
| | TU3-ERK-007 31.85 | TU3-VRK-007 32.93 | 1 | 10 | 299 |
| 1 | TU3-ERK-010 32.93 | TU3-VRK-010 41.95 | 1 | 10 | 299 |
| | TU3-ERK-012 39.98 | TU3-VRK-012 67.23 | 1 | 10 | 299 |
| 1-1/2 | TU3-ERK-015 57.42 | TU3-VRK-015 88.05 | 1 | 10 | 299 |
| | TU3-ERK-020 66.08 | TU3-VRK-020 123.21 | 1 | 10 | 299 |
| 2-1/2 & 3 | TU3-ERK-030 152.47 | TU3-VRK-030 199.93 | 1 | 10 | 299 |
| | TU3-ERK-040 204.95 | TU3-VRK-040 259.14 | 1 | 10 | 299 |



Thermoplastic Valves Ball Valve Accessories & Repair Kits

True Union 2000 Valve Repair Kits — Ball Check Valve

Ball Check Kit includes:
 2-End Connector O-rings
 1-Seal Carrier O-ring
 1-Seal Plate O-ring

True Union 2000 Valve Repair Kits Single Entry Ball Valve Repair Kit

| Size | EPDM | FKM | Std Pk | Mstr Pk | Disc Code |
|-------------------------|----------------------|-----------------------|--------|---------|-----------|
| Ball Check Valve | | | | | |
| 1/2 | CK2-ERK-005 3.36 | CK2-VRK-005 6.24 | 1 | 10 | 299 |
| 3/4 | CK2-ERK-007 4.05 | CK2-VRK-007 10.32 | 1 | 10 | 299 |
| 1 | CK2-ERK-010 5.27 | CK2-VRK-010 16.78 | 1 | 10 | 299 |
| 1-1/4 | CK2-ERK-012 7.91 | CK2-VRK-012 26.83 | 1 | 10 | 299 |
| 1-1/2 | CK2-ERK-015 7.91 | CK2-VRK-015 26.83 | 1 | 10 | 299 |
| 2 | CK2-ERK-020 11.73 | CK2-VRK-020 28.97 | 1 | 10 | 299 |
| 3 | CK2-ERK-030 17.12 | CK2-VRK-030 80.77 | 1 | 10 | 299 |
| 4 | CK2-ERK-040 22.14 | CK2-VRK-040 87.23 | 1 | 10 | 299 |
| 6 | CK2-ERK-060 40.39 | CK2-VRK-060 209.31 | 1 | 10 | 299 |

Single Entry Kit includes:
 2-End Connector O-rings
 1-Seal Carrier O-ring
 1-Seal Plate O-ring
 1-Stem Bearing (1-1/4" & up)

Single Entry Ball Valve Repair Kits True Union Valve Repair Kits (Regular Style)

| Size | Buna-N | EPDM | FKM | Std Pk | Mstr Pk | Disc Code |
|-----------------|----------------------|----------------------|----------------------|--------|---------|-----------|
| 1/2 | SE-BRK-005 16.06 | SE-ERK-005 17.02 | SE-VRK-005 19.91 | 1 | 10 | 299 |
| 3/4 | SE-BRK-007 16.54 | SE-ERK-007 17.52 | SE-VRK-007 20.13 | 1 | 10 | 299 |
| 1 | SE-BRK-010 17.73 | SE-ERK-010 18.44 | SE-VRK-010 21.07 | 1 | 10 | 299 |
| 1-1/4, 1-1/2 | SE-BRK-015 22.54 | SE-ERK-015 24.94 | SE-VRK-015 29.95 | 1 | 10 | 299 |
| 2 | SE-BRK-020 25.64 | SE-ERK-020 26.35 | SE-VRK-020 31.41 | 1 | 10 | 299 |
| 3 | SE-BRK-030 58.96 | SE-ERK-030 59.24 | SE-VRK-030 64.66 | 1 | 10 | 299 |
| 4 | SE-BRK-040 108.80 | SE-ERK-040 108.85 | SE-VRK-040 112.13 | 1 | 10 | 299 |

Ball Valve Kit includes:
 2-PTFE Seats
 2-Seat O-rings (2-1/2")
 2-End Connector O-rings
 1-Stem Bearing (1-1/4" & up)

True Union Valve Repair Kits (Regular Style)

| Size | EPDM | FKM | Std Pk | Mstr Pk | Disc Code |
|-------------------|---------------------|---------------------|--------|---------|-----------|
| Ball Valve | | | | | |
| 1/2 | TU-ERK-005 19.67 | TU-VRK-005 22.28 | 1 | 10 | 299 |
| 3/4 | TU-ERK-007 22.28 | TU-VRK-007 23.03 | 1 | 10 | 299 |
| 1 | TU-ERK-010 23.03 | TU-VRK-010 29.37 | 1 | 10 | 299 |
| 1-1/4 | TU-ERK-012 28.00 | TU-VRK-012 47.06 | 1 | 10 | 299 |

True Union Valve Repair Kits (Regular Style) (continued)

| Size | EPDM | FKM | Std Pk | Mstr Pk | Disc Code |
|-------------------|----------------------|----------------------|--------|---------|-----------|
| Ball Valve | | | | | |
| 1-1/2 | TU-ERK-015 40.18 | TU-VRK-015 61.62 | 1 | 10 | 299 |
| 2 | TU-ERK-020 46.25 | TU-VRK-020 86.26 | 1 | 10 | 299 |
| 2-1/2, 3 | TU-ERK-030 106.74 | TU-VRK-030 139.96 | 1 | 10 | 299 |
| 4, 6 VENTURIED | TU-ERK-040 151.80 | TU-VRK-040 181.40 | 1 | 10 | 299 |

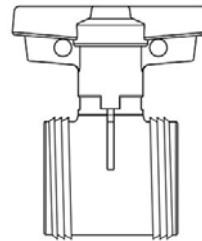
True Union Ball Check Valve Repair Kits (Regular Style)

Ball Check (Regular Style) Kit includes:

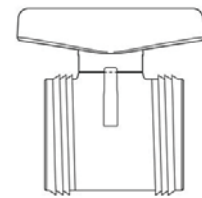
1-Body O-ring
 2-Seat-plate O-rings
 2-End Connector O-rings

Ball Check Valve

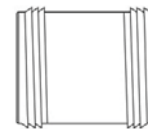
| Size | EPDM | FKM | Std Pk | Mstr Pk | Disc Code |
|------------|---------------------|---------------------|--------|---------|-----------|
| 1/2 | CK-ERK-005 3.36 | CK-VRK-005 6.24 | 1 | 10 | 299 |
| 3/4 | CK-ERK-007 4.05 | CK-VRK-007 10.32 | 1 | 10 | 299 |
| 1 | CK-ERK-010 5.27 | CK-VRK-010 16.78 | 1 | 10 | 299 |
| 1-1/4 | CK-ERK-012 7.91 | CK-VRK-012 26.83 | 1 | 10 | 299 |
| 1-1/2 | CK-ERK-015 7.91 | CK-VRK-015 26.83 | 1 | 10 | 299 |
| 2 | CK-ERK-020 11.73 | CK-VRK-020 28.97 | 1 | 10 | 299 |
| 2-1/2 OR 3 | CK-ERK-030 17.12 | CK-VRK-030 80.77 | 1 | 10 | 299 |
| 4 | CK-ERK-040 22.14 | CK-VRK-040 87.23 | 1 | 10 | 299 |



True Union 2000 Industrial Ball Valve Cartridge



True Union 2000 Standard Ball Valve Cartridge



True Union 2000 Industrial Ball Check Valve Cartridge

True Union Ball Valve Cartridge Kits include valve assembly, less union nuts and end connectors.

Note: 6" Valve uses Lever-Style Handle for proper leverage. T-Style Handle is more compact, but will increase difficulty of operation.

PVC True Union 2000 Industrial Ball Valve Cartridges

| Size | EPDM | FKM | Std Pk | Mstr Pk | Disc Code |
|------|-------------------|-------------------|--------|---------|-----------|
| 1/2 | 1820-005 34.53 | 1830-005 39.24 | 1 | 18 | 299 |

**Thermoplastic Valves
Ball Valve Accessories & Repair Kits**



PVC True Union 2000 Industrial Ball Valve Cartridges
(continued)

| Size | EPDM | FKM | Std Pk | Mstr Pk | Disc Code |
|--------------------|----------------------------|----------------------------|--------|---------|-----------|
| 3/4 | 1820-007 40.94 | 1830-007 43.84 | 1 | 18 | 299 |
| 1 | 1820-010 48.92 | 1830-010 55.55 | 1 | 18 | 299 |
| 1-1/4 | 1820-012 63.16 | 1830-012 74.26 | 1 | 8 | 299 |
| 1-1/2 | 1820-015 82.29 | 1830-015 92.97 | 1 | 8 | 299 |
| 2 | 1820-020 105.45 | 1830-020 112.25 | 1 | 8 | 299 |
| 2-1/2 | 1820-025 231.35 | 1830-025 290.07 | 1 | 0 | 299 |
| 3 | 1820-030 282.33 | 1830-030 313.63 | 1 | 0 | 299 |
| 4 | 1820-040 477.03 | 1830-040 529.85 | 1 | 0 | 299 |
| 6 (T-Style Handle) | 18206-060 882.27 | 18306-060 978.82 | 1 | 0 | 299 |
| 6 (Lever Handle) | 1820-060 882.27 | 1830-060 978.82 | 1 | 0 | 299 |

CPVC True Union 2000 Industrial Ball Check Valve Cartridges

| Size | EPDM | FKM | Std Pk | Mstr Pk | Disc Code |
|--------------|-----------------------------|-----------------------------|--------|---------|-----------|
| 1/2 | 4520-005C 60.25 | 4530-005C 67.06 | 1 | 18 | 299 |
| 3/4 | 4520-007C 72.12 | 4530-007C 80.15 | 1 | 18 | 299 |
| 1 | 4520-010C 85.13 | 4530-010C 94.57 | 1 | 18 | 299 |
| 1-1/4 | 4520-012C 146.56 | 4530-012C 162.74 | 1 | 12 | 299 |
| 1-1/2 | 4520-015C 146.56 | 4530-015C 162.74 | 1 | 8 | 299 |
| 2 | 4520-020C 195.76 | 4530-020C 218.14 | 1 | 8 | 299 |
| 2-1/2 | 4520-025C 410.23 | 4530-025C 455.80 | 1 | 4 | 299 |
| 3 | 4520-030C 484.04 | 4530-030C 577.18 | 1 | 4 | 299 |
| 4 | 4520-040C 900.21 | 4530-040C 1000.89 | 1 | 0 | 299 |
| 6 | 4520-060C 1596.43 | 4530-060C 1769.54 | 1 | 0 | 299 |

CPVC True Union 2000 Industrial Ball Valve Cartridges

| Size | EPDM | FKM | Std Pk | Mstr Pk | Disc Code |
|--------------------|------------------------------|------------------------------|--------|---------|-----------|
| 1/2 | 1820-005C 48.69 | 1830-005C 53.13 | 1 | 18 | 299 |
| 3/4 | 1820-007C 59.54 | 1830-007C 64.94 | 1 | 18 | 299 |
| 1 | 1820-010C 74.12 | 1830-010C 75.69 | 1 | 18 | 299 |
| 1-1/4 | 1820-012C 99.91 | 1830-012C 103.89 | 1 | 8 | 299 |
| 1-1/2 | 1820-015C 125.72 | 1830-015C 131.99 | 1 | 8 | 299 |
| 2 | 1820-020C 170.22 | 1830-020C 173.43 | 1 | 8 | 299 |
| 2-1/2 | 1820-025C 358.33 | 1830-025C 398.11 | 1 | 0 | 299 |
| 3 | 1820-030C 419.00 | 1830-030C 464.43 | 1 | 0 | 299 |
| 4 | 1820-040C 759.08 | 1830-040C 843.55 | 1 | 0 | 299 |
| 6 (T-Style Handle) | 18206-060C 1385.01 | 18306-060C 1538.15 | 1 | 0 | 299 |
| 6 (Lever Handle) | 1820-060C 1385.01 | 1830-060C 1538.15 | 1 | 0 | 299 |

PVC True Union 2000 Standard Ball Valve Cartridges

| Size | EPDM | FKM | Std Pk | Mstr Pk | Disc Code |
|----------------------|---------------------------|---------------------------|--------|---------|-----------|
| 1/2 | 3620-005 26.71 | 3630-005 29.69 | 1 | 18 | 299 |
| 3/4 | 3620-007 31.58 | 3630-007 35.14 | 1 | 18 | 299 |
| 1 | 3620-010 37.64 | 3630-010 41.89 | 1 | 18 | 299 |
| 1-1/4 | 3620-012 52.06 | 3630-012 66.44 | 1 | 12 | 299 |
| 1-1/2 | 3620-015 62.68 | 3630-015 69.61 | 1 | 12 | 299 |
| 2 | 3620-020 82.75 | 3630-020 91.09 | 1 | 8 | 299 |
| 2-1/2 & 3 | 3620-030 209.65 | 3630-030 232.93 | 1 | 0 | 299 |
| 4 | 3620-040 354.14 | 3630-040 393.61 | 1 | 0 | 299 |

CPVC True Union 2000 Standard Ball Valve Cartridges

| Size | EPDM | FKM | Std Pk | Mstr Pk | Disc Code |
|----------------------|----------------------------|----------------------------|--------|---------|-----------|
| 1/2 | 3620-005C 35.25 | 3630-005C 39.18 | 1 | 18 | 299 |
| 3/4 | 3620-007C 44.42 | 3630-007C 49.34 | 1 | 18 | 299 |
| 1 | 3620-010C 52.66 | 3630-010C 58.76 | 1 | 18 | 299 |
| 1-1/4 | 3620-012C 84.03 | 3630-012C 93.40 | 1 | 12 | 299 |
| 1-1/2 | 3620-015C 88.77 | 3630-015C 98.64 | 1 | 12 | 299 |
| 2 | 3620-020C 118.73 | 3630-020C 136.49 | 1 | 8 | 299 |
| 2-1/2 & 3 | 3620-030C 311.25 | 3630-030C 345.83 | 1 | 0 | 299 |
| 4 | 3620-040C 647.21 | 3630-040C 626.62 | 1 | 0 | 299 |

PVC True Union 2000 Industrial Ball Check Valve Cartridges

| Size | EPDM | FKM | Std Pk | Mstr Pk | Disc Code |
|--------------|----------------------------|----------------------------|--------|---------|-----------|
| 1/2 | 4520-005 40.77 | 4530-005 45.97 | 1 | 10 | 299 |
| 3/4 | 4520-007 48.63 | 4530-007 51.33 | 1 | 10 | 299 |
| 1 | 4520-010 57.80 | 4530-010 64.44 | 1 | 6 | 299 |
| 1-1/4 | 4520-012 89.13 | 4530-012 94.75 | 1 | 4 | 299 |
| 1-1/2 | 4520-015 96.99 | 4530-015 107.62 | 1 | 4 | 299 |
| 2 | 4520-020 132.39 | 4530-020 147.23 | 1 | 4 | 299 |
| 2-1/2 | 4520-025 320.96 | 4530-025 341.83 | 1 | 4 | 299 |
| 3 | 4520-030 384.33 | 4530-030 487.96 | 1 | 4 | 299 |
| 4 | 4520-040 602.05 | 4530-040 634.31 | 1 | 0 | 299 |
| 6 | 4520-060 1013.79 | 4530-060 1125.31 | 1 | 0 | 299 |

PVC True Union Ball Valve Cartridges (Regular Style)

| Size | EPDM | FKM | Std Pk | Mstr Pk | Disc Code |
|------------|--------------------------|--------------------------|--------|---------|-----------|
| 1/2 | 2320-005 34.53 | 2330-005 39.24 | 1 | 10 | 299 |
| 3/4 | 2320-007 40.94 | 2330-007 43.84 | 1 | 10 | 299 |
| 1 | 2320-010 48.92 | 2330-010 55.55 | 1 | 10 | 299 |



**Thermoplastic Valves
Ball Valve Accessories & Repair Kits**

PVC True Union Ball Valve Cartridges (Regular Style)
(continued)

| Size | EPDM | FKM | Std Pk | Mstr Pk | Disc Code |
|----------|--------------------|--------------------|--------|---------|-----------|
| 1-1/4 | 2320-012 63.16 | 2330-012 74.26 | 1 | 4 | 299 |
| 1-1/2 | 2320-015 82.29 | 2330-015 92.97 | 1 | 4 | 299 |
| 2 | 2320-020 105.45 | 2330-020 112.25 | 1 | 4 | 299 |
| 2-1/2, 3 | 2320-030 231.35 | 2330-030 270.02 | 1 | 0 | 299 |
| 4 | 2320-040 424.18 | 2330-040 446.51 | 1 | 0 | 299 |

CPVC True Union Ball Check Valve Cartridges (Regular Style) (continued)

| Size | EPDM | FKM | Std Pk | Mstr Pk | Disc Code |
|------|---------------------|---------------------|--------|---------|-----------|
| 3 | 2220-030C 381.51 | 2230-030C 423.88 | 1 | 0 | 299 |
| 4 | 2220-040C 837.20 | 2230-040C 930.83 | 1 | 0 | 299 |

CPVC True Union Ball Valve Cartridges (Regular Style)

| Size | EPDM | FKM | Std Pk | Mstr Pk | Disc Code |
|----------|---------------------|---------------------|--------|---------|-----------|
| 1/2 | 2320-005C 48.69 | 2330-005C 53.13 | 1 | 10 | 299 |
| 3/4 | 2320-007C 59.54 | 2330-007C 64.94 | 1 | 10 | 299 |
| 1 | 2320-010C 74.12 | 2330-010C 75.69 | 1 | 10 | 299 |
| 1-1/4 | 2320-012C 99.91 | 2330-012C 103.89 | 1 | 4 | 299 |
| 1-1/2 | 2320-015C 125.72 | 2330-015C 131.99 | 1 | 4 | 299 |
| 2 | 2320-020C 170.22 | 2330-020C 173.43 | 1 | 4 | 299 |
| 2-1/2, 3 | 2320-030C 323.52 | 2330-030C 329.37 | 1 | 0 | 299 |
| 4 | 2320-040C 534.94 | 2330-040C 638.18 | 1 | 0 | 299 |

PVC True Union Ball Check Valve Cartridges (Regular Style)

| Size | EPDM | FKM | Std Pk | Mstr Pk | Disc Code |
|-------|--------------------|--------------------|--------|---------|-----------|
| 1/2 | 2220-005 37.91 | 2230-005 42.74 | 1 | 10 | 299 |
| 3/4 | 2220-007 45.19 | 2230-007 47.74 | 1 | 10 | 299 |
| 1 | 2220-010 53.78 | 2230-010 59.93 | 1 | 6 | 299 |
| 1-1/4 | 2220-012 78.55 | 2230-012 72.96 | 1 | 4 | 299 |
| 1-1/2 | 2220-015 90.19 | 2230-015 100.09 | 1 | 4 | 299 |
| 2 | 2220-020 123.14 | 2230-020 136.92 | 1 | 4 | 299 |
| 2-1/2 | 2220-025 298.49 | 2230-025 317.91 | 1 | 0 | 299 |
| 3 | 2220-030 298.49 | 2230-030 317.91 | 1 | 0 | 299 |
| 4 | 2220-040 559.89 | 2230-040 589.93 | 1 | 0 | 299 |

CPVC True Union Ball Check Valve Cartridges (Regular Style)

| Size | EPDM | FKM | Std Pk | Mstr Pk | Disc Code |
|-------|---------------------|---------------------|--------|---------|-----------|
| 1/2 | 2220-005C 56.03 | 2230-005C 62.39 | 1 | 10 | 299 |
| 3/4 | 2220-007C 67.05 | 2230-007C 74.54 | 1 | 10 | 299 |
| 1 | 2220-010C 79.15 | 2230-010C 87.94 | 1 | 6 | 299 |
| 1-1/4 | 2220-012C 136.29 | 2230-012C 151.35 | 1 | 4 | 299 |
| 1-1/2 | 2220-015C 146.56 | 2230-015C 162.83 | 1 | 4 | 299 |
| 2 | 2220-020C 182.52 | 2230-020C 202.86 | 1 | 4 | 299 |
| 2-1/2 | 2220-025C 381.51 | 2230-025C 423.88 | 1 | 0 | 299 |