

Thermoplastic Valves True Union 2000 Industrial Ball Check Valves



Socket Style

Pressure Rating @ 73°F (23°C), Water
 1/2" - 4" 235 psi
 6" - 8" 150 psi
 All Flanged 150 psi
 Maximum Service Temperature
 PVC = 140°F (60°C)
 CPVC = 200°F (93°C)
 Temperature/Pressure De-ratings Apply
 Rated for Vacuum Service

All Valves assembled with Silicone-Free,
 Water Soluble Lubricant
 Contact Spears® for Pricing & Availability
 on Custom Elastomer Seals
 See Ball Valve Accessories & Repair Kits Section
 for Additional Options and Features

General Installation Information: Ball check valves may be installed in either horizontal or vertical position. A minimum of ten (10) pipe diameters' distance maintained from any pump or other source of turbulence. Check valves MUST be installed with the valve's FLOW arrow pointing in the direction of flow.

PVC Industrial

Size	EPDM	FKM	Std Pk	Mstr Pk	Disc Code
Socket & Threaded Ends					
1/2	4529-005 56.36	4539-005 63.52	1	18	604
3/4	4529-007 67.20	4539-007 70.93	1	18	604
1	4529-010 79.93	4539-010 89.09	1	18	604
1-1/4	4529-012 116.72	4539-012 131.00	1	12	604
1-1/2	4529-015 134.05	4539-015 148.78	1	8	604
2	4529-020 183.02	4539-020 203.51	1	8	604

Socket Ends

2-1/2	4522-025 443.72	4532-025 472.58	1	0	605
3	4522-030 564.68	4532-030 632.98	1	0	605
4	4522-040 832.33	4532-040 876.92	1	0	605
6	4522-060 1636.75	4532-060 1813.96	1	0	558
8	4522-080 2181.25	4532-080 2417.89	1	0	559

8" Venturied valves are 6" ball check valves fitted with 6x8 end connector adapters.

Threaded Ends

2-1/2	4521-025 443.72	4531-025 472.58	1	0	605
3	4521-030 568.31	4531-030 637.46	1	0	605
4	4521-040 832.33	4531-040 876.92	1	0	605
6	4521-060 1636.75	4531-060 1813.96	1	0	558

SR Threaded Ends

1/2	4521-005SR 57.51	4531-005SR 64.64	1	18	604
3/4	4521-007SR 69.94	4531-007SR 73.66	1	18	604
1	4521-010SR 82.63	4531-010SR 91.82	1	18	604
1-1/4	4521-012SR 122.14	4531-012SR 136.39	1	12	604
1-1/2	4521-015SR 142.79	4531-015SR 157.51	1	8	604
2	4521-020SR 192.47	4531-020SR 212.97	1	8	604
2-1/2	4521-025SR 467.89	4531-025SR 496.78	1	0	605
3	4521-030SR 580.14	4531-030SR 496.78	1	0	605
4	4521-040SR 860.55	4531-040SR 905.16	1	0	605
6	4521-060SR 1683.47	4531-060SR 1862.27	1	0	558

PVC Industrial

Size	EPDM	FKM	Std Pk	Mstr Pk	Disc Code
Spigot Ends					
1/2	4527-005 56.36	4537-005 63.52	1	18	604
3/4	4527-007 67.20	4537-007 70.93	1	18	604
1	4527-010 79.93	4537-010 89.09	1	12	604
1-1/4	4527-012 116.72	4537-012 131.00	1	12	604
1-1/2	4527-015 134.05	4537-015 148.78	1	8	604
2	4527-020 183.02	4537-020 203.51	1	8	604
2-1/2	4527-025 443.72	4537-025 472.58	1	0	605
3	4527-030 502.43	4537-030 634.38	1	0	605
4	4527-040 832.33	4537-040 876.92	1	0	605
6	4527-060 1636.75	4537-060 1813.96	1	0	558

Flanged Ends

1/2	4523-005 79.46	4533-005 99.73	1	8	604
3/4	4523-007 96.11	4533-007 119.60	5	0	604
1	4523-010 113.91	4533-010 139.17	5	0	604
1-1/4	4523-012 140.88	4533-012 182.12	2	0	604
1-1/2	4523-015 194.40	4533-015 211.28	3	0	604
2	4523-020 274.37	4533-020 280.87	2	0	604
2-1/2	4523-025 568.38	4533-025 661.89	1	0	605
3	4523-030 795.06	4533-030 924.53	1	0	605
4	4523-040 1076.19	4533-040 1249.16	1	0	605
6	4523-060 2577.57	4533-060 2989.97	1	0	558
8	4523-080 3347.48	4533-080 3891.12	1	0	559

8" Venturied valves are 6" ball check valves fitted with 6x8 end connector adapters.

CPVC Industrial

Size	EPDM	FKM	Std Pk	Mstr Pk	Disc Code
Socket & Threaded Ends					
1/2	4529-005C 83.31	4539-005C 92.74	1	18	606
3/4	4529-007C 99.71	4539-007C 110.81	1	18	606
1	4529-010C 117.65	4539-010C 130.71	1	18	606



Thermoplastic Valves
True Union 2000 Industrial Ball Check Valves

CPVC Industrial (continued)

Size	EPDM	FKM	Std Pk	Mstr Pk	Disc Code
Socket & Threaded Ends					
1-1/4	4529-012C 202.63	4539-012C 224.94	1	12	606
1-1/2	4529-015C 202.63	4539-015C 224.94	1	8	606
2	4529-020C 270.65	4539-020C 301.56	1	8	606

Socket Ends

2-1/2	4522-025C 567.14	4532-025C 630.13	1	0	607
3	4522-030C 753.47	4532-030C 820.66	1	0	607
4	4522-040C 1244.54	4532-040C 1383.69	1	0	607
6	4522-060C 2569.49	4532-060C 2854.63	1	0	559
8	4522-080C 3022.95	4532-080C 3805.11	1	0	559

8" Venturied valves are 6" ball check valves fitted with 6x8 end connector adapters.

Threaded Ends

2-1/2	4521-025C 567.14	4531-025C 630.13	1	0	607
3	4521-030C 751.23	4531-030C 841.78	1	0	607
4	4521-040C 1244.54	4531-040C 1383.69	1	0	607
6	4521-060C 2569.49	4531-060C 2854.63	1	0	559

SR Threaded Ends

1/2	4521-005CSR 84.42	4531-005CSR 93.87	1	18	606
3/4	4521-007CSR 102.44	4531-007CSR 113.51	1	18	606
1	4521-010CSR 120.35	4531-010CSR 133.43	1	18	606
1-1/4	4521-012CSR 208.03	4531-012CSR 233.68	1	12	606
1-1/2	4521-015CSR 208.03	4531-015CSR 233.68	1	8	606
2	4521-020CSR 280.11	4531-020CSR 311.02	1	8	606
2-1/2	4521-025CSR 591.64	4531-025CSR 654.32	1	0	607
3	4521-030CSR 591.64	4531-030CSR 881.74	1	0	607
4	4521-040CSR 1272.76	4531-040CSR 1411.94	1	0	607
6	4521-060CSR 2638.78	4531-060CSR 2923.92	1	0	559

Spigot Ends

1/2	4527-005C 83.31	4537-005C 92.74	1	18	606
3/4	4527-007C 99.71	4537-007C 110.81	1	18	606
1	4527-010C 117.65	4537-010C 130.71	1	12	606
1-1/4	4527-012C 202.63	4537-012C 224.94	1	12	606
1-1/2	4527-015C 230.09	4537-015C 224.94	1	8	606
2	4527-020C 270.65	4537-020C 301.56	1	8	606
2-1/2	4527-025C 567.14	4537-025C 630.13	1	0	607
3	4527-030C 737.00	4537-030C 815.96	1	0	607
4	4527-040C 1244.54	4537-040C 1383.69	1	0	607
6	4527-060C 2569.49	4537-060C 2854.63	1	0	559

Flanged Ends

1/2	4523-005C 103.44	4533-005C 129.26	1	8	606
------------	----------------------------	----------------------------	---	---	-----

CPVC Industrial (continued)

Size	EPDM	FKM	Std Pk	Mstr Pk	Disc Code
Flanged Ends					
3/4	4523-007C 123.41	4533-007C 156.22	1	8	606
1	4523-010C 147.36	4533-010C 181.67	1	8	606
1-1/4	4523-012C 248.55	4533-012C 308.19	1	8	606
1-1/2	4523-015C 265.54	4533-015C 331.81	1	4	606
2	4523-020C 469.52	4533-020C 503.37	1	0	606
2-1/2	4523-025C 850.66	4533-025C 920.31	1	0	607
3	4523-030C 949.84	4533-030C 1042.04	1	0	607
4	4523-040C 1571.47	4533-040C 1687.47	1	0	607
6	4523-060C 4190.15	4533-060C 4356.08	1	0	559
8	4523-080C 4823.25	4533-080C 5248.27	1	0	559

8" Venturied valves are 6" ball check valves fitted with 6x8 end connector adapters.

Thermoplastic Valves True Union Ball Check Valves (Regular Style)



Socket/Threaded Style

Pressure Rating @ 73°F
(23°C), Water
1/2" - 2" 235 psi
2-1/2" - 6" 150 psi
Flanged 150 psi

Maximum Service Temperature
PVC = 140°F (60°C)
CPVC = 200°F (93°C)
Temperature/Pressure De-ratings Apply
Rated for Vacuum Service
All Valves assembled with Silicone-Free,
Water Soluble Lubricant

6" Venturied Valves are 4" Ball Check Valves equipped with 4x6 End Connectors.

General Installation Information: Ball check valves may be installed in either horizontal or vertical position. A minimum of ten (10) pipe diameters' distance maintained from any pump or other source of turbulence. Check valves MUST be installed with the valve's FLOW arrow pointing in the direction of flow.

PVC

Size	EPDM	FKM	Std Pk	Mstr Pk	Disc Code
------	------	-----	--------	---------	-----------

Socket & Threaded Ends

1/2	2229-005 61.67	2239-005 69.49	1	18	220
3/4	2229-007 73.53	2239-007 77.62	1	12	220
1	2229-010 87.44	2239-010 97.48	1	8	220
1-1/4	2229-012 127.71	2239-012 143.32	1	8	220
1-1/2	2229-015 146.67	2239-015 162.78	1	8	220
2	2229-020 200.24	2239-020 222.66	1	4	220

Socket Ends

2-1/2	2222-025 485.46	2232-025 517.04	1	0	220
3	2222-030 586.46	2232-030 681.48	1	0	220
4	2222-040 910.65	2232-040 959.46	1	0	220

Socket Venturied Ends

6 VENTURIED	2222-060 1230.28	2232-060 1393.56	1	0	221
--------------------	----------------------------	----------------------------	---	---	-----

Threaded Ends

2-1/2	2221-025 485.46	2231-025 517.04	1	0	220
3	2221-030 586.46	2231-030 681.48	1	0	220
4	2221-040 910.65	2231-040 959.46	1	0	220

Flanged Ends

1/2	2223-005 86.95	2233-005 109.14	6	0	220
3/4	2223-007 105.15	2233-007 130.85	5	0	220
1	2223-010 124.63	2233-010 152.27	5	0	220
1-1/4	2223-012 154.15	2233-012 199.26	2	0	220
1-1/2	2223-015 212.68	2233-015 231.19	3	0	220
2	2223-020 300.19	2233-020 307.32	2	0	220
2-1/2	2223-025 621.87	2233-025 724.20	1	0	220
3	2223-030 869.88	2233-030 1011.54	1	0	220
4	2223-040 1177.48	2233-040 1366.73	1	0	220

Flanged Venturied Ends

6 VENTURIED	2223-060 1473.61	2233-060 1644.16	1	0	221
--------------------	----------------------------	----------------------------	---	---	-----

CPVC

Size	EPDM	FKM	Std Pk	Mstr Pk	Disc Code
------	------	-----	--------	---------	-----------

Socket & Threaded Ends

1/2	2229-005C 91.15	2239-005C 101.47	1	18	222
3/4	2229-007C 109.11	2239-007C 121.24	1	12	222
1	2229-010C 128.74	2239-010C 143.02	1	8	222

CPVC (continued)

Size	EPDM	FKM	Std Pk	Mstr Pk	Disc Code
------	------	-----	--------	---------	-----------

Socket & Threaded Ends

1-1/4	2229-012C 221.69	2239-012C 246.12	1	8	222
1-1/2	2229-015C 268.08	2239-015C 283.37	1	8	222
2	2229-020C 296.87	2239-020C 329.95	1	4	222

Socket Ends

2-1/2	2222-025C 620.52	2232-025C 689.44	1	0	222
3	2222-030C 1010.72	2232-030C 1106.06	1	0	222
4	2222-040C 1361.67	2232-040C 1513.93	1	0	222

Socket Venturied Ends

6 VENTURIED	2222-060C 1756.56	2232-060C 1968.07	1	0	223
--------------------	-----------------------------	-----------------------------	---	---	-----

Threaded Ends

2-1/2	2221-025C 620.52	2231-025C 689.44	1	0	222
3	2221-030C 1010.72	2231-030C 1106.06	1	0	222
4	2221-040C 1361.67	2231-040C 1513.93	1	0	222

Flanged Ends

1/2	2223-005C 113.18	2233-005C 141.42	6	0	222
3/4	2223-007C 135.02	2233-007C 170.94	5	0	222
1	2223-010C 161.22	2233-010C 198.76	5	0	222
1-1/4	2223-012C 271.95	2233-012C 337.19	2	0	222
1-1/2	2223-015C 290.53	2233-015C 363.03	3	0	222
2	2223-020C 513.69	2233-020C 550.75	2	0	222
2-1/2	2223-025C 817.39	2233-025C 930.72	1	0	222
3	2223-030C 1039.25	2233-030C 1140.12	1	0	222
4	2223-040C 1719.37	2233-040C 1846.29	1	0	222

Flanged Venturied Ends

6 VENTURIED	2223-060C 2072.75	2233-060C 2243.62	1	0	223
--------------------	-----------------------------	-----------------------------	---	---	-----



Thermoplastic Valves Foot Valve Screens & Y-Check Valves

Foot Valve Screens

Convert Check Valve to Foot Valve using adapter - Fits all Socket Ball Check Valves or any IPS fitting socket or thread

Standard Foot Valve Screen



PVC/CPVC Spigot

Compact Foot Valve Screens



PVC Gray Spigot
or Threaded

PE Black
Threaded Only

Foot Valve Screens - PVC

Size	PVC	CPVC	Std Pk	Mstr Pk	Disc Code
Spigot					
1/2	FVS-005 45.51	FVS-005C 62.85	10	60	299
3/4	FVS-007 54.04	FVS-007C 67.80	10	60	299
1	FVS-010 65.73	FVS-010C 76.97	10	40	299
1-1/4	FVS-012 95.67	FVS-012C 118.87	5	30	299
1-1/2	FVS-015 100.78	FVS-015C 123.43	5	0	299
2	FVS-020 113.74	FVS-020C 136.26	5	0	299
2-1/2	FVS-025 156.45	FVS-025C 198.53	5	0	299
3	FVS-030 160.93	FVS-030C 221.08	5	0	299
4	FVS-040 190.41	FVS-040C 315.98	5	0	299
6	FVS-060 257.85	FVS-060C 451.53	5	0	299

PVC Compact Foot Valve Screen

Part Number	Size	Std Pk	Mstr Ctn	Disc Code	Price Each
Spigot					
CFVS7-005	1/2	1	0	299	2.80
CFVS7-007	3/4	1	0	299	3.19
CFVS7-010	1	1	0	299	3.78
CFVS7-012	1-1/4	1	0	299	4.81
CFVS7-015	1-1/2	1	0	299	8.06

PVC Compact Foot Valve Screen (continued)

Part Number	Size	Std Pk	Mstr Ctn	Disc Code	Price Each
Spigot					
CFVS7-020	2	1	0	299	9.17

PVC Compact Foot Valve Screen

Part Number	Size	Std Pk	Mstr Ctn	Disc Code	Price Each
Threaded					
CFVS1-005	1/2	1	0	299	2.80
CFVS1-007	3/4	1	0	299	3.19
CFVS1-010	1	1	0	299	3.78
CFVS1-012	1-1/4	1	0	299	4.81
CFVS1-015	1-1/2	1	0	299	8.06
CFVS1-020	2	1	0	299	9.17

HDPE Black Compact Foot Valve Screen

Part Number	Size	Std Pk	Mstr Ctn	Disc Code	Price Each
Threaded					
CFVS1-005P	1/2	1	0	299	3.35
CFVS1-007P	3/4	1	0	299	4.03
CFVS1-010P	1	1	0	299	4.62
CFVS1-012P	1-1/4	1	0	299	5.31
CFVS1-015P	1-1/2	1	0	299	9.04
CFVS1-020P	2	1	0	299	10.14

Y-Check Valves



PVC Clear — Socket Style

Pressure Rating @ 73°F (23°C), Water
 1/2" - 2" 150 psi
 3" - 4" 90 psi
 Maximum Service Temperature
 PVC = 140°F (60°C)
 CPVC = 200°F (93°C)
 Temperature/Pressure De-ratings Apply



True Union Style

PVC - Socket Ends

Size	EPDM	FKM	Std Pk	Mstr Pk	Disc Code
1/2	1622-005 88.61	1632-005 98.27	1	18	627
3/4	1622-007 95.05	1632-007 106.34	1	18	627
1	1622-010 104.72	1632-010 115.98	1	12	627

PVC - Socket Ends (continued)

Size	EPDM	FKM	Std Pk	Mstr Pk	Disc Code
1-1/4	1622-012 164.32	1632-012 182.05	1	8	627
1-1/2	1622-015 178.81	1632-015 198.15	1	8	627
2	1622-020 222.32	1632-020 246.49	1	4	627

**Thermoplastic Valves
Y-Check Valves**



PVC - Socket Ends (continued)

Size	EPDM	FKM	Std Pk	Mstr Pk	Disc Code
3	1622-030 439.80	1632-030 488.12	1	0	627
	1622-040 766.83	1632-040 852.22			

PVC - SR Threaded Ends

Size	EPDM	FKM	Std Pk	Mstr Pk	Disc Code
1/2	1621-005SR 91.83	1631-005SR 101.51	1	18	627
3/4	1621-007SR 99.87	1631-007SR 111.16	1	12	627
1	1621-010SR 111.16	1631-010SR 122.43	1	8	627
1-1/4	1621-012SR 173.98	1631-012SR 191.71	1	8	627
1-1/2	1621-015SR 193.32	1631-015SR 212.65	1	4	627
2	1621-020SR 238.42	1631-020SR 262.59	1	0	627
3	1621-030SR 483.31	1631-030SR 531.62	1	0	627
4	1621-040SR 811.94	1631-040SR 897.31	1	0	627

PVC - Flanged Ends

Size	EPDM	FKM	Std Pk	Mstr Pk	Disc Code
1/2	1623-005 115.98	1633-005 128.89	1	8	627
3/4	1623-007 127.26	1633-007 141.77	1	4	627
1	1623-010 148.98	1633-010 170.76	1	8	627
1-1/4	1623-012 236.81	1633-012 262.59	1	4	627
1-1/2	1623-015 251.33	1633-015 278.69	1	4	627
2	1623-020 336.69	1633-020 373.73	1	0	627
3	1623-030 658.88	1633-030 731.38	1	0	627
4	1623-040 1051.96	1633-040 1167.96	1	0	627

PVC Clear - Socket Ends

Size	EPDM	FKM	Std Pk	Mstr Pk	Disc Code
1/2	1622-005CL 88.61	1632-005CL 98.27	1	18	628
3/4	1622-007CL 95.05	1632-007CL 106.34	1	18	628
1	1622-010CL 104.72	1632-010CL 115.98	1	12	628
1-1/4	1622-012CL 164.32	1632-012CL 182.05	1	8	628
1-1/2	1622-015CL 178.81	1632-015CL 198.15	1	8	628
2	1622-020CL 222.32	1632-020CL 246.49	1	4	628
3	1622-030CL 439.80	1632-030CL 488.12	1	0	628
4	1622-040CL 766.83	1632-040CL 852.22	1	0	628

PVC Clear - SR Threaded Ends

Size	EPDM	FKM	Std Pk	Mstr Pk	Disc Code
1/2	1621-005CLSR 91.83	1631-005CLSR 101.51	1	18	628
3/4	1621-007CLSR 99.87	1631-007CLSR 111.16	1	12	628
1	1621-010CLSR 111.16	1631-010CLSR 122.43	1	8	628
1-1/4	1621-012CLSR 173.98	1631-012CLSR 191.71	1	8	628

PVC Clear - SR Threaded Ends (continued)

Size	EPDM	FKM	Std Pk	Mstr Pk	Disc Code
1-1/2	1621-015CLSR 193.32	1631-015CLSR 212.65	1	4	628
	1621-020CLSR 238.42	1631-020CLSR 262.59			
3	1621-030CLSR 483.31	1631-030CLSR 531.62	1	0	628
4	1621-040CLSR 811.94	1631-040CLSR 897.31	1	0	628

PVC Clear - Flanged Ends

Size	EPDM	FKM	Std Pk	Mstr Pk	Disc Code
1/2	1623-005CL 115.98	1633-005CL 128.89	1	8	628
3/4	1623-007CL 127.26	1633-007CL 141.77	1	8	628
1	1623-010CL 153.04	1633-010CL 170.76	1	8	628
1-1/4	1623-012CL 236.81	1633-012CL 262.59	1	4	628
1-1/2	1623-015CL 251.33	1633-015CL 278.69	1	4	628
2	1623-020CL 336.69	1633-020CL 373.73	1	0	628
3	1623-030CL 658.88	1633-030CL 731.38	1	0	628
4	1623-040CL 1051.96	1633-040CL 1167.96	1	0	628

CPVC - Socket Ends

Size	EPDM	FKM	Std Pk	Mstr Pk	Disc Code
1/2	1622-005C 127.26	1632-005C 140.15	1	18	629
	1622-007C 136.94	1632-007C 151.43			
1	1622-010C 149.82	1632-010C 165.93	1	12	629
1-1/4	1622-012C 235.20	1632-012C 260.98	1	8	629
1-1/2	1622-015C 256.15	1632-015C 283.53	1	8	629
2	1622-020C 317.36	1632-020C 352.79	1	4	629
3	1622-030C 908.25	1632-030C 1016.27	1	0	629
4	1622-040C 1095.44	1632-040C 1217.88	1	0	629

CPVC - SR Threaded Ends

Size	EPDM	FKM	Std Pk	Mstr Pk	Disc Code
1/2	1621-005CSR 130.48	1631-005CSR 144.98	1	18	629
	1621-007CSR 141.77	1631-007CSR 157.88			
1	1621-010CSR 157.88	1631-010CSR 173.98	1	8	629
1-1/4	1621-012CSR 248.09	1631-012CSR 272.25	1	8	629
1-1/2	1621-015CSR 277.08	1631-015CSR 304.48	1	4	629
2	1621-020CSR 339.91	1631-020CSR 375.37	1	0	629
3	1621-030CSR 691.11	1631-030CSR 760.38	1	0	629
4	1621-040CSR 1158.28	1631-040CSR 1280.73	1	0	629

CPVC - Flanged Ends

Size	EPDM	FKM	Std Pk	Mstr Pk	Disc Code
1/2	1623-005C 165.93	1633-005C 170.80	1	8	629
3/4	1623-007C 182.05	1633-007C 202.98	1	8	629



Thermoplastic Valves Y-Check Valves

CPVC - Flanged Ends (continued)

Size	EPDM	FKM	Std Pk	Mstr Pk	Disc Code
1	1623-010C 219.11	1633-010C 243.91	1	8	629
1-1/4	1623-012C 338.31	1633-012C 375.37	1	4	629
1-1/2	1623-015C 357.62	1633-015C 397.91	1	4	629
2	1623-020C 480.06	1633-020C 533.22	1	0	629
3	1623-030C 940.81	1633-030C 1045.52	1	0	629
4	1623-040C 1501.42	1633-040C 1668.97	1	0	629

PVC - True Union Socket Ends

Size	EPDM	FKM	Std Pk	Mstr Pk	Disc Code
1/2	162A-005 96.66	163A-005 106.34	1	12	627
3/4	162A-007 103.09	163A-007 115.98	1	8	627
1	162A-010 114.38	163A-010 125.64	1	8	627
1-1/4	162A-012 178.81	163A-012 198.15	1	4	627
1-1/2	162A-015 194.93	163A-015 215.88	1	0	627
2	162A-020 241.64	163A-020 267.41	2	0	627
3	162A-030 478.45	163A-030 521.96	1	0	627
4	162A-040 834.49	163A-040 926.32	1	0	627

PVC - True Union Threaded Ends

Size	EPDM	FKM	Std Pk	Mstr Pk	Disc Code
1/2	162B-005 96.66	163B-005 106.34	1	12	627
3/4	162B-007 103.09	163B-007 115.98	1	8	627
1	162B-010 114.38	163B-010 125.64	1	8	627
1-1/4	162B-012 177.22	163B-012 198.15	1	4	627
1-1/2	162B-015 194.93	163B-015 215.88	1	0	627
2	162B-020 241.64	163B-020 267.41	2	0	627
3	162B-030 478.45	163B-030 521.96	1	0	627
4	162B-040 834.49	163B-040 926.32	1	0	627

PVC - True Union SR Threaded Ends

Size	EPDM	FKM	Std Pk	Mstr Pk	Disc Code
1/2	162B-005SR 99.87	163B-005SR 109.55	1	12	627
3/4	162B-007SR 107.93	163B-007SR 119.22	1	8	627
1	162B-010SR 119.22	163B-010SR 132.11	1	8	627
1-1/4	162B-012SR 188.48	163B-012SR 207.80	1	4	627
1-1/2	162B-015SR 211.03	163B-015SR 231.98	1	0	627
2	162B-020SR 259.37	163B-020SR 286.74	1	0	627
3	162B-030SR 525.17	163B-030SR 578.35	1	0	627
4	162B-040SR 881.20	163B-040SR 974.63	1	0	627

PVC Clear - True Union Socket Ends

Size	EPDM	FKM	Std Pk	Mstr Pk	Disc Code
1/2	162A-005CL 96.66	163A-005CL 106.34	1	12	628
3/4	162A-007CL 103.09	163A-007CL 115.98	1	8	628
1	162A-010CL 114.38	163A-010CL 125.64	1	8	628
1-1/4	162A-012CL 178.81	163A-012CL 198.15	1	4	628
1-1/2	162A-015CL 194.93	163A-015CL 215.88	1	0	628
2	162A-020CL 241.64	163A-020CL 267.41	2	0	628
3	162A-030CL 478.45	163A-030CL 521.96	1	0	628
4	162A-040CL 834.49	163A-040CL 926.32	1	0	628

PVC Clear - True Union Threaded Ends

Size	EPDM	FKM	Std Pk	Mstr Pk	Disc Code
1/2	162B-005CL 96.66	163B-005CL 106.34	1	12	628
3/4	162B-007CL 103.09	163B-007CL 115.98	1	8	628
1	162B-010CL 114.38	163B-010CL 125.64	1	8	628
1-1/4	162B-012CL 178.81	163B-012CL 198.15	1	4	628
1-1/2	162B-015CL 194.93	163B-015CL 215.88	1	0	628
2	162B-020CL 241.64	163B-020CL 267.41	2	0	628
3	162B-030CL 478.45	163B-030CL 521.96	1	0	628
4	162B-040CL 834.49	163B-040CL 926.32	1	0	628

PVC Clear - True Union SR Threaded Ends

Size	EPDM	FKM	Std Pk	Mstr Pk	Disc Code
1/2	162B-005CLSR 99.87	163B-005CLSR 109.55	1	12	628
3/4	162B-007CLSR 107.93	163B-007CLSR 119.22	1	8	628
1	162B-010CLSR 119.22	163B-010CLSR 132.11	1	8	628
1-1/4	162B-012CLSR 188.48	163B-012CLSR 207.80	1	4	628
1-1/2	162B-015CLSR 211.03	163B-015CLSR 231.98	1	0	628
2	162B-020CLSR 259.37	163B-020CLSR 286.74	1	0	628
3	162B-030CLSR 525.17	163B-030CLSR 578.35	1	0	628
4	162B-040CLSR 881.20	163B-040CLSR 974.63	1	0	628

CPVC - True Union Socket Ends

Size	EPDM	FKM	Std Pk	Mstr Pk	Disc Code
1/2	162A-005C 138.55	163A-005C 153.04	1	12	629
3/4	162A-007C 148.21	163A-007C 165.93	1	8	629
1	162A-010C 162.71	163A-010C 180.43	1	8	629
1-1/4	162A-012C 254.54	163A-012C 283.53	1	4	629
1-1/2	162A-015C 277.08	163A-015C 307.71	1	0	629
2	162A-020C 344.75	163A-020C 383.40	2	0	629
3	162A-030C 683.05	163A-030C 745.86	1	0	629
4	162A-040C 1190.51	163A-040C 1322.61	1	0	629

**Thermoplastic Valves
Y-Check Valves**



CPVC - True Union Threaded Ends

Size	EPDM	FKM	Std Pk	Mstr Pk	Disc Code
1/2	162B-005C 138.55	163B-005C 153.04	1	12	629
3/4	162B-007C 148.21	163B-007C 165.93	1	8	629
1	162B-010C 162.71	163B-010C 180.43	1	8	629
1-1/4	162B-012C 254.54	163B-012C 283.53	1	4	629
1-1/2	162B-015C 277.08	163B-015C 307.71	1	0	629
2	162B-020C 344.75	163B-020C 383.40	2	0	629
3	162B-030C 683.05	163B-030C 745.86	1	0	629
4	162B-040C 1190.51	163B-040C 1322.61	1	0	629

CPVC - True Union SR Threaded Ends

Size	EPDM	FKM	Std Pk	Mstr Pk	Disc Code
1/2	162B-005CSR 141.77	163B-005CSR 156.26	1	12	629
3/4	162B-007CSR 154.66	163B-007CSR 170.76	1	8	629
1	162B-010CSR 170.76	163B-010CSR 188.48	1	8	629
1-1/4	162B-012CSR 269.02	163B-012CSR 296.42	1	4	629
1-1/2	162B-015CSR 301.25	163B-015CSR 330.23	1	0	629
2	162B-020CSR 370.52	163B-020CSR 407.57	1	0	629
3	162B-030CSR 750.72	163B-030CSR 824.83	1	0	629
4	162B-040CSR 1259.79	163B-040CSR 1391.89	1	0	629



Thermoplastic Valves Y-Check Valve Repair Kits

All Kits include:
 1-Seat
 1-Bonnet O-ring
 1-Plug O-ring

All Union Kits include:
 1-Seat
 1-Bonnet O-ring
 1-Plug O-ring
 2-End Connector O-rings

Y-Check Valve - Seat & O-ring Repair Kits

Size	Standard EPDM O-ring	Standard FKM O-ring	True Union EPDM O-ring	True Union FKM O-ring	Std Pk	Mstr Pk	Disc Code
1/2	YC-ERK-005 3.49	YC-VRK-005 10.32	YC-UERK-005 4.08	YC-UVRK-005 12.38	1	10	299
3/4	YC-ERK-007 4.00	YC-VRK-007 11.13	YC-UERK-007 4.73	YC-UVRK-007 13.84	1	10	299
1	YC-ERK-010 4.08	YC-VRK-010 15.11	YC-UERK-010 4.97	YC-UVRK-010 20.03	1	10	299
1-1/4	YC-ERK-012 4.27	YC-VRK-012 28.11	YC-UERK-012 6.20	YC-UVRK-012 35.15	1	10	299
1-1/2	YC-ERK-015 7.42	YC-VRK-015 30.69	YC-UERK-015 10.41	YC-UVRK-015 43.69	1	10	299
2	YC-ERK-020 9.98	YC-VRK-020 36.74	YC-UERK-020 13.78	YC-UVRK-020 52.99	1	10	299
3	YC-ERK-030 17.22	YC-VRK-030 96.37	YC-UERK-030 29.93	YC-UVRK-030 122.27	1	10	299
4	YC-ERK-040 22.29	YC-VRK-040 138.74	YC-UERK-040 33.16	YC-UVRK-040 171.17	1	10	299

Thermoplastic Valves Butterfly Check Valves



Pressure Rating @ 73°F (23°C), Water

2" - 8" 150 psi
10" - 16" 100 psi
18" - 24" 50 psi

Maximum Service Temperature
PVC = 140°F (60°C)
CPVC = 200°F (93°C)

Temperature/Pressure De-ratings Apply

General Installation Information: Butterfly Check Valve seating may be affected by normal system turbulence. Flow velocities should be limited to approximately 5 feet per second. Valves should be installed at least 5 pipe diameters away from any fitting, pump or other source of turbulence. If used as a foot valve, do not place near bottom of a tank. Butterfly type check valves should not be used in continuous cycling applications, such as with reciprocating pumps. This can result in premature failure of sealing membrane. In horizontal installations, always orient the Hinge Post Bolts visible on the external body in a vertical (top and bottom) position, perpendicular to flow. In vertical installations downstream from an elbow, flow velocities can be higher on the outer radius of the elbow. To avoid uneven butterfly plate loading, the Hinge Post Bolts should align with crotch and outer radius of elbow and NOT from side to side of the elbow.

PVC

Size	EPDM	FKM	Std Pk	Mstr Pk	Disc Code
Wafer					
2	5420-020 405.36	5430-020 446.66	1	18	289
2-1/2	5420-025 558.62	5430-025 615.63	1	0	289
3	5420-030 714.56	5430-030 787.42	1	8	289
4	5420-040 971.78	5430-040 1070.91	1	4	289
6	5420-060 1473.27	5430-060 1623.54	1	0	289
8	5420-080 2499.61	5430-080 2754.56	1	0	289
10	5420-100 4596.12	5430-100 5101.67	1	0	289
12	5420-120 6480.46	5430-120 7193.33	1	0	289
14	5420-140 9256.78	---	1	0	289
16	5420-160 12855.58	---	1	0	289
18	5420-180 16068.26	---	1	0	289
20	5420-200 20085.32	---	1	0	289
24	5420-240 28691.31	---	1	0	289

Flanged Ends

Size	EPDM	FKM	Std Pk	Mstr Pk	Disc Code
2	5423-020 517.05	5433-020 556.04	1	8	289
2-1/2	5423-025 672.97	5433-025 732.75	1	0	289
3	5423-030 966.60	5433-030 1062.73	1	0	289
4	5423-040 1255.01	5433-040 1400.49	1	0	289
6	5423-060 2034.51	5433-060 2328.13	1	0	289
8	5423-080 2915.34	5433-080 3440.21	1	0	289
10	5423-100 5368.20	5433-100 6121.71	1	0	289
12	5423-120 7605.37	5433-120 8090.37	1	0	289
14	5423-140 10723.57	5433-140 11407.36	4	0	289

PVC (continued)

Size	EPDM	FKM	Std Pk	Mstr Pk	Disc Code
Flanged Ends					
16	5423-160 15093.44	5433-160 16296.21	1	0	289
18	5423-180 19283.61	5433-180 20626.99	1	0	289
20	5423-200 25345.15	5433-200 27140.77	1	0	289
24	5423-240 33197.34	5433-240 35709.75	1	0	289

Spigot (Plain End)

Size	EPDM	FKM	Std Pk	Mstr Pk	Disc Code
2	5427-020 220.86	5437-020 259.83	1	12	289
2-1/2	5427-025 304.01	5437-025 363.79	1	12	289
3	5427-030 407.94	5437-030 504.07	1	8	289
4	5427-040 535.26	5437-040 680.78	1	4	289
6	5427-060 1138.06	5437-060 1431.68	1	0	289
8	5427-080 1696.74	5437-080 2221.57	1	0	289
10	5427-100 4149.55	5437-100 4903.06	1	0	289
12	5427-120 5620.22	5437-120 6588.52	1	0	289
14	5427-140 7500.69	5437-140 8618.72	1	0	289
16	5427-160 11284.86	5437-160 13230.73	1	0	289
18	5427-180 14106.08	5437-180 16536.92	1	0	289
20	5427-200 17632.13	5437-200 20669.82	1	0	289
24	5427-240 25188.72	5437-240 29527.29	1	0	289

Threaded Ends

Size	EPDM	FKM	Std Pk	Mstr Pk	Disc Code
2	5421A-020 215.67	5431A-020 254.64	1	4	289
2-1/2	5421A-025 293.62	5431A-025 353.36	1	8	289
3	5421A-030 400.16	5431A-030 496.27	1	8	289
4	5421A-040 524.87	5431A-040 670.37	1	4	289



Thermoplastic Valves Butterfly Check Valves

PVC (continued)

Size	EPDM	FKM	Std Pk	Mstr Pk	Disc Code
Threaded Ends					
6	5421A-060 1117.29	5431A-060 1410.89	1	0	289
8	5421A-080 1678.56	5431A-080 2203.39	1	0	289
10	5421A-100 4141.06	5431A-100 4895.80	1	0	289
12	5421A-120 5613.29	5431A-120 6581.60	1	0	289

Grooved Ends

2	542G-020 244.24	543G-020 283.21	1	12	289
2-1/2	542G-025 319.60	543G-025 379.35	1	8	289
3	542G-030 420.93	543G-030 517.05	1	8	289
4	542G-040 566.45	543G-040 711.95	1	4	289
6	542G-060 1184.84	543G-060 1478.47	1	0	289
8	542G-080 1748.67	543G-080 2273.56	1	0	289
10	542G-100 4232.69	543G-100 4986.21	1	0	289
12	542G-120 5731.94	543G-120 6701.15	1	0	289

CPVC

Size	EPDM	FKM	Std Pk	Mstr Pk	Disc Code
Wafer					
2	5420-020C 628.27	5430-020C 697.39	1	18	290
2-1/2	5420-025C 865.88	5430-025C 917.65	1	0	290
3	5420-030C 1107.55	5430-030C 1229.38	1	0	290
4	5420-040C 1506.29	5430-040C 1671.97	1	0	290
6	5420-060C 2283.56	5430-060C 2534.76	1	0	290
8	5420-080C 3874.39	5430-080C 4300.57	1	0	290
10	5420-100C 8332.34	5430-100C 9165.58	1	0	290
12	5420-120C 14674.37	5430-120C 16141.81	1	0	290

Flanged Ends

2	5423-020C 800.28	5433-020C 839.26	1	8	290
2-1/2	5423-025C 1280.98	5433-025C 1340.74	1	0	290
3	5423-030C 1369.32	5433-030C 1465.46	1	0	290
4	5423-040C 1603.17	5433-040C 1748.67	1	0	290
6	5423-060C 2826.99	5433-060C 3120.62	1	0	290
8	5423-080C 4528.92	5433-080C 5053.80	1	0	290
10	5423-100C 8558.96	5433-100C 9312.47	1	0	290
12	5423-120C 15415.98	5433-120C 16385.20	1	0	290
14	5423-140C 22022.45	5433-140C 23407.12	1	0	290
16	5423-160C 30585.05	5433-160C 32509.86	1	0	290
18	5423-180C 38231.29	5433-180C 40637.35	1	0	290
20	5423-200C 54615.94	5433-200C 58052.18	1	0	290
24	5423-240C 68268.40	5433-240C 72564.97	1	0	290

CPVC

Size	EPDM	FKM	Std Pk	Mstr Pk	Disc Code
Spigot (Plain End)					
2	5427-020C 420.93	5437-020C 459.91	1	12	290
2-1/2	5427-025C 569.05	5437-025C 628.79	1	12	290
3	5427-030C 579.44	5437-030C 674.71	1	8	290
4	5427-040C 727.53	5437-040C 873.05	1	4	290
6	5427-060C 1556.42	5437-060C 1850.04	1	0	290
8	5427-080C 2335.92	5437-080C 2860.78	1	0	290
10	5427-100C 5838.47	5437-100C 6592.03	1	0	290
12	5427-120C 9580.11	5437-120C 10548.42	1	0	290
14	5427-140C 10020.27	5437-140C 20928.65	1	0	290
16	5427-160C 13250.63	5437-160C 13755.01	1	0	290
18	5427-180C 20149.82	5437-180C 23126.81	1	0	290
20	5427-200C 25188.27	5437-200C 28905.66	1	0	290
24	5427-240C 26089.01	5437-240C 72564.97	1	0	290

Threaded Ends

2	5421A-020C 418.36	5431A-020C 483.31	1	12	290
2-1/2	5421A-025C 566.79	5431A-025C 627.07	1	8	290
3	5421A-030C 575.97	5431A-030C 672.09	1	8	290
4	5421A-040C 724.07	5431A-040C 869.58	1	4	290
6	5421A-060C 1544.27	5431A-060C 1837.02	1	0	290
8	5421A-080C 2325.16	5431A-080C 2850.04	1	0	290
10	5421A-100C 5829.28	5431A-100C 6582.83	1	0	290
12	5421A-120C 9564.84	5431A-120C 10534.04	1	0	290

Grooved Ends

2	542G-020C 444.34	543G-020C 514.68	1	12	290
2-1/2	542G-025C 589.82	543G-025C 649.60	1	8	290
3	542G-030C 599.33	543G-030C 695.48	1	8	290
4	542G-040C 769.11	543G-040C 915.29	1	4	290
6	542G-060C 1610.98	543G-060C 1904.60	1	0	290
8	542G-080C 2388.06	543G-080C 2912.93	1	0	290
10	542G-100C 5926.83	543G-100C 6680.34	1	0	290
12	542G-120C 9878.92	543G-120C 10848.08	1	0	290

Thermoplastic Valves

Butterfly Check Valve Repair Kits & Industrial Swing Check Valves



Butterfly Check Valve Repair Kits

PVC & CPVC Butterfly Check Valve Repair Kit is an internal assembly including:

- | | |
|-------------------------|-------------------------------|
| 1-Flex Seal Gasket Seat | 1-Post Strip |
| 1-Hinge Post | 2-Seat Post O-rings |
| 2-Flapper Plates | Plastic Assembly Screws |
| 2-Flapper Covers | Use Existing Hinge Post Bolts |

PVC Butterfly Check Valve Repair Kits

Size	EPDM	FKM	Std Pk	Mstr Pk	Disc Code
2	BFC-ERK-020 155.97	BFC-VRK-020 184.27	1	10	299
2-1/2	BFC-ERK-025 212.40	BFC-VRK-025 255.68	1	0	299
3	BFC-ERK-030 289.32	BFC-VRK-030 358.56	1	10	299
4	BFC-ERK-040 379.69	BFC-VRK-040 484.75	1	10	299
6	BFC-ERK-060 808.19	BFC-VRK-060 1020.60	1	10	299
8	BFC-ERK-080 1214.39	BFC-VRK-080 1593.74	1	10	299
10	BFC-ERK-100 2995.41	BFC-VRK-100 3541.26	1	0	299
12	BFC-ERK-120 4060.31	BFC-VRK-120 4760.63	1	0	299

CPVC Butterfly Check Valve Repair Kits

Size	EPDM	FKM	Std Pk	Mstr Pk	Disc Code
2	BFC-ERK-020C 302.62	BFC-VRK-020C 330.77	1	10	299
2-1/2	BFC-ERK-025C 410.02	BFC-VRK-025C 453.64	1	10	299
3	BFC-ERK-030C 416.84	BFC-VRK-030C 486.08	1	10	299
4	BFC-ERK-040C 523.71	BFC-VRK-040C 629.08	1	10	299
6	BFC-ERK-060C 1117.00	BFC-VRK-060C 1328.74	1	10	299
8	BFC-ERK-080C 1681.80	BFC-VRK-080C 2061.54	1	10	299
10	BFC-ERK-100C 4216.46	BFC-VRK-100C 4761.63	1	0	299
12	BFC-ERK-120C 6918.72	BFC-VRK-120C 7619.71	1	0	299

Industrial Swing Check Valves



Threaded Bonnet on Sizes 3/4", 1" & 1-1/4"

Pressure Rating @ 73°F (23°C), Water
 3/4" - 4" 150 psi
 6" 100 psi
 8" 70 psi

Maximum Service Temperature
 PVC = 140°F (60°C)
 CPVC = 200°F (93°C)
 PP = 180°F (82°C)

Temperature/Pressure De-ratings Apply
 All Valves Assembled with Silicone-Free Lubricants



Bolted Bonnet on Sizes 1-1/2" & Up
 (Valve Shown with Arrow Indicator Option)

General Installation Information: Swing check valves are designed for horizontal installations, but may be installed in up-flow only vertical position. Check valves MUST be installed with the valve's FLOW arrow pointing in the direction of the flow. Do not install valve upside down. Flow velocity should not exceed 5 ft./sec.

Industrial Swing Check Valves

Size	EPDM	FKM	Std Pk	Mstr Pk	Disc Code
PVC					
3/4	4423-007 489.87	4433-007 518.17	1	12	108
1	4423-010 564.53	4433-010 615.23	1	4	108
1-1/4	4423-012 706.16	4433-012 747.16	1	0	108
1-1/2	4423-015 774.14	4433-015 864.87	1	0	108
2	4423-020 891.23	4433-020 990.28	1	0	108
2-1/2	4423-025 1491.55	4433-025 1759.58	1	0	110
3	4423-030 1668.08	4433-030 2185.93	1	0	110
4	4423-040 2126.11	4433-040 2496.24	1	0	110
6	4423-060 4040.65	4433-060 4742.66	1	0	110
8	4423-080 7742.14	4433-080 9049.54	1	0	110

CPVC

3/4	4423-007C 774.01	4433-007C 860.13	1	12	109
1	4423-010C 892.53	4433-010C 992.43	1	4	109

Industrial Swing Check Valves (continued)

Size	EPDM	FKM	Std Pk	Mstr Pk	Disc Code
CPVC					
1-1/4	4423-012C 1116.48	4433-012C 1239.96	1	0	109
1-1/2	4423-015C 1151.88	4433-015C 1565.51	1	0	109
2	4423-020C 1485.39	4433-020C 1650.42	1	0	109
2-1/2	4423-025C 2461.58	4433-025C 2921.09	1	0	111
3	4423-030C 3074.86	4433-030C 3308.52	1	0	111
4	4423-040C 3528.28	4433-040C 4161.00	1	0	111
6	4423-060C 7220.66	4433-060C 7908.09	1	0	111
8	4423-080C 12884.15	4433-080C 15066.75	1	0	111

PP

3/4	4423-007P 563.29	4433-007P 625.86	1	12	113
1	4423-010P 673.87	4433-010P 734.44	1	4	113
1-1/4	4423-012P 807.65	4433-012P 897.31	1	0	113
1-1/2	4423-015P 1002.77	4433-015P 1091.16	1	0	113



Thermoplastic Valves Industrial Swing Check Valves

Industrial Swing Check Valves (continued)

Size	EPDM	FKM	Std Pk	Mstr Pk	Disc Code
PP					
2	4423-020P 1072.15	4433-020P 1204.66	1	0	113
2-1/2	4423-025P 1785.13	4433-025P 1985.68	1	0	112
3	4423-030P 1876.73	4433-030P 2244.16	1	0	112
4	4423-040P 2552.76	4433-040P 2833.55	1	0	112
6	4423-060P 4835.67	4433-060P 5377.21	1	0	112
8	4423-080P 9256.18	4433-080P 10171.67	1	0	112

Swing Check Valve With Arrow Indicator

Size	EPDM	FKM	Std Pk	Mstr Pk	Disc Code
PVC					
3/4	4423I-007 497.92	4433I-007 526.24	1	12	108
1	4423I-010 572.57	4433I-010 641.02	1	4	108
1-1/4	4423I-012 731.22	4433I-012 803.54	1	0	108
1-1/2	4423I-015 848.02	4433I-015 803.54	1	0	108
2	4423I-020 918.19	4433I-020 1002.26	1	0	108
2-1/2	4423I-025 1500.05	4433I-025 1668.77	1	0	110
3	4423I-030 1746.95	4433I-030 1668.77	1	0	110
4	4423I-040 2134.74	4433I-040 2536.97	1	0	110
6	4423I-060 4049.09	4433I-060 4781.72	1	0	110
8	4423I-080 7865.20	4433I-080 9095.78	1	0	110

CPVC

3/4	4423I-007C 782.56	4433I-007C 868.15	1	12	109
1	4423I-010C 900.59	4433I-010C 1002.09	1	4	109
1-1/4	4423I-012C 1111.08	4433I-012C 1251.24	1	0	109
1-1/2	4423I-015C 1277.94	4433I-015C 1251.24	1	0	109
2	4423I-020C 1497.00	4433I-020C 1693.56	1	0	109
2-1/2	4423I-025C 2469.95	4433I-025C 2962.41	1	0	111
3	4423I-030C 2650.77	4433I-030C 3446.74	1	0	111
4	4423I-040C 3551.77	4433I-040C 4185.59	1	0	111
6	4423I-060C 7327.88	4433I-060C 7916.65	1	0	111
8	4423I-080C 12897.99	4433I-080C 15114.39	1	0	111

PP

3/4	4423I-007P 571.34	4433I-007P 633.92	1	12	113
1	4423I-010P 685.14	4433I-010P 790.82	1	4	113
1-1/4	4423I-012P 880.14	4433I-012P 976.99	1	0	113
1-1/2	4423I-015P 1131.42	4433I-015P 976.99	1	0	113
2	4423I-020P 1101.74	4433I-020P 1249.35	1	0	113
2-1/2	4423I-025P 1795.51	4433I-025P 2012.18	1	0	112
3	4423I-030P 2237.73	4433I-030P 2335.62	1	0	112

Swing Check Valve With Arrow Indicator (continued)

Size	EPDM	FKM	Std Pk	Mstr Pk	Disc Code
PP					
4	4423I-040P 2563.15	4433I-040P 2843.98	1	0	112
6	4423I-060P 4940.04	4433I-060P 5422.53	1	0	112
8	4423I-080P 9325.12	4433I-080P 10274.48	1	0	112

Contact Spears® for Pricing on Additional Specialty Valve Accessories

Available:

- Arrow Indicator Kits for Field Installation
- Counter Balance Kits for Field Installation

Swing Check Valve With Counter Balance

Size	EPDM	FKM	Std Pk	Mstr Pk	Disc Code
PVC					
3/4	4423CB-007 774.86	4433CB-007 829.28	1	8	108
1	4423CB-010 866.79	4433CB-010 928.46	1	4	108
1-1/4	4423CB-012 1046.99	4433CB-012 1088.37	1	0	108
1-1/2	4423CB-015 1123.33	4433CB-015 1311.98	1	0	108
2	4423CB-020 1239.38	4433CB-020 1500.17	1	0	108
2-1/2	4423CB-025 1864.98	4433CB-025 2132.38	1	0	110
3	4423CB-030 2100.28	4433CB-030 2423.29	1	0	110
4	4423CB-040 2516.60	4433CB-040 2886.71	1	0	110
6	4423CB-060 4487.07	4433CB-060 4487.07	1	0	110
8	4423CB-080 8996.31	4433CB-080 9487.41	1	0	110

CPVC

3/4	4423CB-007C 1201.33	4433CB-007C 1309.60	1	12	109
1	4423CB-010C 1303.47	4433CB-010C 1416.69	1	4	109
1-1/4	4423CB-012C 1111.08	4433CB-012C 1526.17	1	0	109
1-1/2	4423CB-015C 1526.17	4433CB-015C 1764.87	1	0	109
2	4423CB-020C 1983.65	4433CB-020C 2148.72	1	0	109
2-1/2	4423CB-025C 2994.18	4433CB-025C 3453.78	1	0	111
3	4423CB-030C 3241.42	4433CB-030C 4294.28	1	0	111
4	4423CB-040C 4010.76	4433CB-040C 4718.82	1	0	111
6	4423CB-060C 7858.41	4433CB-060C 8545.80	1	0	111
8	4423CB-080C 13533.00	4433CB-080C 15715.46	1	0	111

PP

3/4	4423CB-007P 721.01	4433CB-007P 801.11	1	12	113
1	4423CB-010P 862.53	4433CB-010P 940.06	1	4	113
1-1/4	4423CB-012P 880.14	4433CB-012P 1354.36	1	0	113
1-1/2	4423CB-015P 1244.07	4433CB-015P 1670.49	1	0	113
2	4423CB-020P 1340.19	4433CB-020P 1505.82	1	0	113
2-1/2	4423CB-025P 2069.04	4433CB-025P 2541.67	1	0	112
3	4423CB-030P 2517.42	4433CB-030P 3149.68	1	0	112
4	4423CB-040P 2882.82	4433CB-040P 3167.00	1	0	112



Industrial Swing Check Valves

Swing Check Valve With Counter Balance (continued)

Size	EPDM	FKM	Std Pk	Mstr Pk	Disc Code
PP					
6	4423CB-060P 5363.56	4433CB-060P 6882.82	1	0	112
8	4423CB-080P 9791.67	4433CB-080P 10707.18	1	0	112

Industrial Swing Check Valve Accessory and Repair Kits

Repair Kits include:

- 1-Bonnet O-ring
- 1-Disc O-ring
- 1-Seat O-ring
- 1-Plug O-ring
- 1-Arm Plug O-ring

Industrial Swing Check Valve Repair Kits

Size	EPDM	FKM	Std Pk	Mstr Pk	Disc Code
3/4	SK-ERK-007 26.29	SK-VRK-007 32.05	1	10	299
1	SK-ERK-010 34.34	SK-VRK-010 41.88	1	10	299
1-1/2 & 1-1/4	SK-ERK-015 82.11	SK-VRK-015 103.84	1	10	299
2	SK-ERK-020 88.15	SK-VRK-020 107.48	1	10	299
2-1/2	SK-ERK-025 93.22	SK-VRK-025 119.31	1	10	299
3	SK-ERK-030 105.69	SK-VRK-030 128.97	1	10	299
4	SK-ERK-040 115.32	SK-VRK-040 140.62	1	10	299
6	SK-ERK-060 229.20	SK-VRK-060 270.57	1	10	299
8	SK-ERK-080 288.39	SK-VRK-080 349.87	1	10	299



Thermoplastic Valves Utility Swing Check Valves & True Union Utility Swing Check Valves

Utility Swing Check Valves



Pressure Rating @ 73°F (23°C), Water
 Full Flow (open) 150 psi
 Back Pressure (closed) 75 psi
 Maximum Service Temperature
 140°F (60°C)
 Temperature/Pressure De-ratings Apply
 EPDM Seat

General Installation Information: Swing check valves are designed for horizontal installations, but may be installed in up-flow only vertical position. Check valves MUST be installed with the valve's FLOW arrow pointing in the direction of the flow. Do not install valve upside down. Flow velocity should not exceed 5 ft./sec. Minimum opening pressure less than 0.5 psi.

PVC White Swing Check

Size	Socket	Thread	SR Threaded	Std Pk	Mstr Pk	Disc Code
1/2	S1520-05 16.68	S1520-05F 16.68	S1520-05FSR 19.46	35	0	026
3/4	S1520-07 17.22	S1520-07F 17.22	S1520-07FSR 21.18	35	0	026
1	S1520-10 17.94	S1520-10F 17.94	S1520-10FSR 23.45	20	0	026
1-1/4	S1520-12 18.63	S1520-12F 18.63	S1520-12FSR 27.48	12	0	026
1-1/2	S1520-15 19.75	S1520-15F 19.75	S1520-15FSR 34.86	12	0	026
2	S1520-20 30.65	S1520-20F 30.65	S1520-20FSR 47.05	15	0	026
2-1/2	S1520-25 50.99	S1520-25F 50.99	S1520-25FSR 67.39	5	0	026
3	S1520-30 56.66	S1520-30F 56.66	S1520-30FSR 100.49	4	0	026
4	S1520-40 80.22	S1520-40F 80.22	S1520-40FSR 125.64	2	0	026
6	S1520-60 168.56	S1520-60F 168.56	S1520-60FSR 222.33	1	0	026
8	S1520-80 313.13	---	---	1	0	026

PVC Clear Swing Check

Size	Socket	Thread	SR Threaded	Std Pk	Mstr Pk	Disc Code
1/2	S1520C05 22.68	S1520C05F 22.68	S1520C05FSR 25.45	35	0	026
3/4	S1520C07 23.13	S1520C07F 23.13	S1520C07FSR 27.12	35	0	026
1	S1520C10 23.57	S1520C10F 23.57	S1520C10FSR 29.09	20	0	026
1-1/4	S1520C12 24.75	S1520C12F 24.75	S1520C12FSR 33.57	12	0	026
1-1/2	S1520C15 26.89	S1520C15F 26.89	S1520C15FSR 42.03	12	0	026
2	S1520C20 38.72	S1520C20F 38.72	S1520C20FSR 55.12	15	0	026
2-1/2	S1520C25 64.54	S1520C25F 64.54	S1520C25FSR 89.97	5	0	026
3	S1520C30 71.72	S1520C30F 71.72	S1520C30FSR 115.54	4	0	026
4	S1520C40 96.54	S1520C40F 96.54	S1520C40FSR 141.93	2	0	026
6	S1520C60 199.53	S1520C60F 199.53	S1520C60FSR 253.31	1	0	026
8	S1520C80 333.29	---	---	1	0	026

True Union Utility Swing Check Valves



Pressure Rating @ 73°F (23°C), Water
 Full Flow (open) 150 psi
 Back Pressure (closed) 75 psi
 Maximum Service Temperature
 140°F (60°C)
 Temperature/Pressure De-ratings Apply
 EPDM Seat

General Installation Information: Swing check valves are designed for horizontal installations, but may be installed in up-flow only vertical position. Check valves MUST be installed with the valve's FLOW arrow pointing in the direction of the flow. Do not install valve upside down. Flow velocity should not exceed 5 ft./sec. Minimum opening pressure less than 0.5 psi.

PVC White True Union Swing Check

Size	Socket	Threaded	SR Thread	Std Pk	Mstr Pk	Disc Code
1/2	S1720-05 18.97	S1720-05F 18.97	S1720-05FSR 21.73	35	0	026
3/4	S1720-07 19.55	S1720-07F 19.55	S1720-07FSR 23.54	30	0	026

PVC White True Union Swing Check (continued)

Size	Socket	Threaded	SR Thread	Std Pk	Mstr Pk	Disc Code
1	S1720-10 20.37	S1720-10F 20.37	S1720-10FSR 25.89	18	0	026
1-1/4	S1720-12 21.44	S1720-12F 21.44	S1720-12FSR 30.27	12	0	026

Thermoplastic Valves
True Union Utility Swing Check Valves & Compression Utility Swing Check Valves



True Union Utility Swing Check Valves

PVC White True Union Swing Check (continued)

Size	Socket	Threaded	SR Thread	Std Pk	Mstr Pk	Disc Code
1-1/2	S1720-15	S1720-15F	S1720-15FSR	10	0	026
	23.57	23.57	38.71			
2	S1720-20	S1720-20F	S1720-20FSR	10	0	026
	35.41	35.41	51.74			
2-1/2	S1720-25	S1720-25F	S1720-25FSR	2	0	026
	59.04	59.04	84.44			
3	S1720-30	S1720-30F	S1720-30FSR	2	0	026
	75.38	75.38	119.23			
4	S1720-40	S1720-40F	S1720-40FSR	1	0	026
	101.75	101.75	146.72			

PVC Clear True Union Swing Check (continued)

Size	Socket	Threaded	SR Thread	Std Pk	Mstr Pk	Disc Code
1	S1720C10	S1720C10F	S1720C10FSR	18	0	026
	27.29	27.29	32.80			
1-1/4	S1720C12	S1720C12F	S1720C12FSR	12	0	026
	28.75	28.75	37.57			
1-1/2	S1720C15	S1720C15F	S1720C15FSR	10	0	026
	30.83	30.83	45.96			
2	S1720C20	S1720C20F	S1720C20FSR	10	0	026
	43.37	43.37	59.78			
2-1/2	S1720C25	S1720C25F	S1720C25FSR	2	0	026
	71.22	71.22	96.64			
3	S1720C30	S1720C30F	S1720C30FSR	2	0	026
	81.97	81.97	125.80			
4	S1720C40	S1720C40F	S1720C40FSR	1	0	026
	109.29	109.29	154.64			

PVC Clear True Union Swing Check

Size	Socket	Threaded	SR Thread	Std Pk	Mstr Pk	Disc Code
1/2	S1720C05	S1720C05F	S1720C05FSR	35	0	026
	24.57	24.57	27.33			
3/4	S1720C07	S1720C07F	S1720C07FSR	30	0	026
	24.98	24.98	28.96			

Compression Utility Swing Check Valves



Pressure Rating @ 73°F (23°C), Water
 Full Flow (open) 150 psi
 Back Pressure (closed) 75 psi
 Maximum Service Temperature
 140°F (60°C)
 Temperature/Pressure De-ratings Apply

- Standard Swing Check Assembly Maintains a Positive Seal
- Convenient Compression Ends for Quick Connections
- Engineered for Maximum Flow, Quick Response & Positive Shutoff
- Excellent for Pool & Spa, OEM and General Purpose Applications
- Compact, Space-Saving Design
- Replaceable PVC White or Clear Sealed Unit
- High Grade EPDM Seat
- Suitable for Horizontal or Vertical Up-flow Installations
- Pressure Rated to 150 psi @ 73°F Full Flow (open), 75 psi Back Pressure (closed)
- Maximum Service Temperature 140°F (temperature/pressure de-ratings apply)

General Installation Information: Swing check valves are designed for horizontal installations, but may be installed in up-flow only vertical position. Check valves MUST be installed with the valve's FLOW arrow pointing in the direction of the flow. Do not install valve upside down. Flow velocity should not exceed 5 ft./sec. Minimum opening pressure less than 0.5 psi.

PVC White Compression End Swing Check

Part Number	Size	Std Pk	Mstr Ctn	Disc Code	Price Each
Compression End					
S1500-05	1/2	20	0	026	22.17
S1500-07	3/4	35	0	026	23.33
S1500-10	1	20	0	026	24.31
S1500-12	1-1/4	12	0	026	28.55
S1500-15	1-1/2	12	0	026	31.85
S1500-20	2	10	0	026	50.24
S1500-25	2-1/2	5	0	026	83.91
S1500-30	3	4	0	026	108.93
S1500-40	4	2	0	026	167.34

Compression Coupling Nut Wrenches (continued)

Part Number	Size	Std Pk	Mstr Ctn	Disc Code	Price Each
CCW-010	1	1	50	299	12.65
CCW-012	1-1/4	1	50	299	14.32
CCW-015	1-1/2	1	50	299	15.44
CCW-020*	2	1	50	299	17.25
CCW-030**	3	1	25	299	21.22

* CCW-20 - Wrench also fits 2-1/2" Coupling Body
 **CCW-30 - Wrench also fits 4" Coupling Body

Compression Coupling Nut Wrench Sets

Part Number	Size	Std Pk	Mstr Ctn	Disc Code	Price Each
CCW-000	Set	1	50	299	99.68

Complete Set of Wrenches, Sizes 1/2" - 3"

PVC Clear Compression End Swing Check

Part Number	Size	Std Pk	Mstr Ctn	Disc Code	Price Each
Compression End					
S1500C05	1/2	35	0	026	24.38
S1500C07	3/4	20	0	026	26.24
S1500C10	1	20	0	026	26.78
S1500C12	1-1/4	12	0	026	30.06
S1500C15	1-1/2	12	0	026	33.88
S1500C20	2	10	0	026	50.58
S1500C25	2-1/2	5	0	026	84.84
S1500C30	3	4	0	026	123.92
S1500C40	4	2	0	026	170.74

Compression Coupling Nut Wrenches

Part Number	Size	Std Pk	Mstr Ctn	Disc Code	Price Each
CCW-005	1/2	1	50	299	11.93
CCW-007	3/4	1	50	299	12.14



Thermoplastic Valves Utility Spring Check Valves

(Spring Assisted Swing Check)



Pressure Rating @ 73°F (23°C), Water
 Full Flow (open) 150 psi
 Back Pressure (closed) 75 psi
 Maximum Service Temperature
 140°F (60°C)
Temperature/Pressure De-ratings Apply
 EPDM Seat
 Stainless Steel Spring Assisted (non-adjustable)

General Installation Information: Spring check valves are designed for horizontal installations, but may be installed in up-flow only vertical position. Check valves **MUST** be installed with the valve's FLOW arrow pointing in the direction of the flow. Do not install valve upside down. Flow velocity should not exceed 5 ft./sec. Minimum opening pressure less than 0.5 psi.

PVC White Spring Check (Spring Assisted Swing Check)

Size	Socket	Thread	SR Thread	Std Pk	Mstr Pk	Disc Code
1/2	S1580-05 32.84	S1580-05F 32.84	S1580-05FSR 35.62	20	0	026
3/4	S1580-07 37.17	S1580-07F 37.17	S1580-07FSR 41.13	20	0	026
1	S1580-10 38.72	S1580-10F 38.72	S1580-10FSR 44.22	20	0	026
1-1/4	S1580-12 40.32	S1580-12F 40.32	S1580-12FSR 49.17	12	0	026
1-1/2	S1580-15 42.92	S1580-15F 42.92	S1580-15FSR 58.02	12	0	026
2	S1580-20 44.99	S1580-20F 44.99	S1580-20FSR 61.39	15	0	026
2-1/2	S1580-25 79.85	S1580-25F 79.85	S1580-25FSR 105.28	4	0	026
3	S1580-30 83.28	S1580-30F 83.28	S1580-30FSR 127.12	4	0	026
4	S1580-40 118.19	S1580-40F 118.19	S1580-40FSR 163.61	2	0	026

PVC Clear Spring Check (Spring Assisted Swing Check)

Size	Socket	Thread	SR Thread	Std Pk	Mstr Pk	Disc Code
1/2	S1580C05 33.84	S1580C05F 33.84	S1580C05FSR 36.65	20	0	026
3/4	S1580C07 38.31	S1580C07F 38.31	S1580C07FSR 42.31	20	0	026
1	S1580C10 39.94	S1580C10F 39.94	S1580C10FSR 45.43	20	0	026
1-1/4	S1580C12 41.58	S1580C12F 41.58	S1580C12FSR 50.41	12	0	026
1-1/2	S1580C15 44.05	S1580C15F 44.05	S1580C15FSR 59.19	12	0	026
2	S1580C20 45.72	S1580C20F 45.72	S1580C20FSR 62.11	15	0	026
2-1/2	S1580C25 82.33	S1580C25F 82.33	S1580C25FSR 107.72	5	0	026
3	S1580C30 85.73	S1580C30F 85.73	S1580C30FSR 170.57	4	0	026
4	S1580C40 121.80	S1580C40F 121.80	S1580C40FSR 167.21	2	0	026

Thermoplastic Valves True Union Utility Spring Check Valves & Diaphragm Check Valves



True Union Utility Spring Check Valves (Spring Assisted Swing Check)



Pressure Rating @ 73°F (23°C), Water
 Full Flow (open) 150 psi
 Back Pressure (closed) 75 psi
 Maximum Service Temperature
 140°F (60°C)
 Temperature/Pressure De-ratings Apply
 EPDM Seat
 Stainless Steel Spring Assisted (non-adjustable)

General Installation Information: Spring check valves are designed for horizontal installations, but may be installed in up-flow only vertical position. Check valves MUST be installed with the valve's FLOW arrow pointing in the direction of the flow. Do not install valve upside down. Flow velocity should not exceed 5 ft./sec. Minimum opening pressure less than 0.5 psi.

PVC White True Union Spring Check (Spring Assisted Swing Check)

Size	Socket	Thread	SR Thread	Std Pk	Mstr Pk	Disc Code
1/2	S1780-05 43.67	S1780-05F 43.67	S1780-05FSR 46.44	20	0	026
3/4	S1780-07 49.54	S1780-07F 49.54	S1780-07FSR 53.52	30	0	026
1	S1780-10 51.63	S1780-10F 51.63	S1780-10FSR 57.12	18	0	026
1-1/4	S1780-12 53.78	S1780-12F 53.78	S1780-12FSR 62.57	12	0	026
1-1/2	S1780-15 57.29	S1780-15F 57.29	S1780-15FSR 72.44	10	0	026
2	S1780-20 59.65	S1780-20F 59.65	S1780-20FSR 76.03	10	0	026
2-1/2	S1780-25 106.46	S1780-25F 106.46	S1780-25FSR 131.83	2	0	026
3	S1780-30 111.06	S1780-30F 111.06	S1780-30FSR 154.89	2	0	026
4	S1780-40 157.59	S1780-40F 157.59	S1780-40FSR 203.04	1	0	026

PVC Clear True Union Spring Check (Spring Assisted Swing Check)

Size	Socket	Thread	SR Thread	Std Pk	Mstr Pk	Disc Code
1/2	S1780C05 45.05	S1780C05F 45.05	S1780C05FSR 47.82	20	0	026
3/4	S1780C07 51.09	S1780C07F 51.09	S1780C07FSR 55.07	30	0	026
1	S1780C10 53.22	S1780C10F 53.22	S1780C10FSR 58.76	18	0	026
1-1/4	S1780C12 55.41	S1780C12F 55.41	S1780C12FSR 64.21	12	0	026
1-1/2	S1780C15 58.76	S1780C15F 58.76	S1780C15FSR 74.21	10	0	026
2	S1780C20 60.47	S1780C20F 60.47	S1780C20FSR 77.83	10	0	026
2-1/2	S1780C25 109.76	S1780C25F 109.76	S1780C25FSR 135.19	2	0	026
3	S1780C30 114.48	S1780C30F 114.48	S1780C30FSR 158.31	2	0	026
4	S1780C40 162.48	S1780C40F 162.48	S1780C40FSR 207.93	1	0	026

Diaphragm Check Valves



Pressure Rating @ 73°F (23°C), Water
 Full Flow (open) 150 psi
 Back Pressure (closed) 100 psi
 Maximum Service Temperature
 PVC = 140°F (60°C)
 CPVC = 200°F (93°C)
 Temperature/Pressure De-ratings Apply
 Santoprene™ TPE Seat

PVC Diaphragm Check Valves - Socket

Part Number	Size	Std Pk	Mstr Ctn	Disc Code	Price Each
6562-007	3/4	15	0	004	89.09

PVC Diaphragm Check Valves - Thread

Part Number	Size	Std Pk	Mstr Ctn	Disc Code	Price Each
6561-007	3/4	15	0	004	89.09

CPVC Diaphragm Check Valves - Socket

Part Number	Size	Std Pk	Mstr Ctn	Disc Code	Price Each
6562-007C	3/4	15	0	004	117.00

CPVC Diaphragm Check Valves - Thread

Part Number	Size	Std Pk	Mstr Ctn	Disc Code	Price Each
6561-007C	3/4	15	0	004	117.00

General Installation Information: Diaphragm Check Valves have "normally closed" operation with 1 - 1-1/2 psi opening pressure and can be mounted in any position. Check valves MUST be installed with the valve's FLOW arrow pointing in the direction of the flow. Flow velocity should not exceed 5 ft./sec.



Thermoplastic Valves PVC In-line Adjustable Spring Check Valves



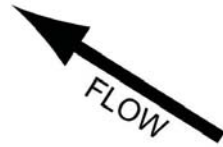
Fipt x Mipt



Mipt x Fipt



Fipt x Fipt



Pressure Rating @ 73°F (23°C), Water
200 psi
Maximum Service Temperature
PVC = 140°F (60°C)
Temperature/Pressure De-ratings Apply

2 - 14 lbs. Adjustable Spring Tension
(5 to 32 feet of head)
Factory Preset to Approx. 5 psi
(12 feet of head)
Each full turn of adjustment nut = 1 psi
(2.3 feet of head)
Stainless Steel Adjustment Hardware
EPDM Seat

Standard Unit - Female Inlet x Male Outlet

Part Number	Size	Std Pk	Mstr Ctn	Disc Code	Price Each
-------------	------	--------	----------	-----------	------------

Fipt x Mipt (Inlet x Outlet)

S1102-05	1/2	30	180	026	10.95
S1102-07	3/4	25	150	026	11.20
S1102-10	1	25	150	026	18.59
S1102-05-07	1/2X3/4	25	150	026	15.98

Male Inlet x Female Outlet Option

Part Number	Size	Std Pk	Mstr Ctn	Disc Code	Price Each
-------------	------	--------	----------	-----------	------------

Mipt x Fipt (Inlet x Outlet)

S1101-05	1/2	30	180	026	10.95
----------	-----	----	-----	-----	-------

Female Inlet x Female Outlet Option

Part Number	Size	Std Pk	Mstr Ctn	Disc Code	Price Each
-------------	------	--------	----------	-----------	------------

Fipt x Fipt (Inlet x Outlet)

S1100-07	3/4	25	150	026	11.57
----------	-----	----	-----	-----	-------

Thermoplastic Valves Industrial PVC Backwater Valves



Backwater Valves are designed to prevent backflow in numerous applications where easy service access for maintenance and cleaning is needed. Excellent for use in sanitary or storm sewer drainage systems to prevent waste back up due to inadequate drainage, for balancing multi-level ponds, aquaculture features or storage tank systems, and many other applications. Spears® Backwater Valve has been engineered for improved function and easier service, especially in buried service with use of optional Service-Access Extension available either preassembled with valve or as an add-on kit.

- Replaceable internal flapper assembly with EPDM Seat.
- Service-Access Extension available either preassembled with valve, as an add-on kit, or as valve & extension kit components with user supplied pipe.
- Direct Connection to ASTM D 2665 PVC DWV or other IPS size pipe. Spears® fabricated IPS x Sewer Adapters or DWV x Sewer & Drain Adapter Bushings are available for connection to ASTM D 3034 & ASTM D 2729 Sewer pipe.
- Pressure Rated to 43 psi (100 feet of head) @ 73°F (23°C).
- All extension kits can be cut shorter for custom application.
- Conforms to ASME/ANSI A112.14.1 for Backwater Valves.

PVC Backwater Valves



PVC Backwater Valves Soc x Soc - Valve Only

Part Number	Size	Std Pk	Mstr Ctn	Disc Code	Price Each
S275P	2	1	12	055	59.05
S375P	3	2	0	055	59.17
S475P	4	1	0	055	65.55
S675P	6	1	0	055	279.26

PVC Backwater Valves with Extension Kit to Premade Length



PVC Backwater Valves with Extension Kit to Premade Length Soc x Soc - Assembled with Extension

Part Number	Size	Std Pk	Mstr Ctn	Disc Code	Price Each
S275P-120 ¹	2X12HT	1	0	055	178.12
S275P-160 ¹	2X16HT	1	0	055	191.59
S275P-200 ¹	2X20HT	1	0	055	205.05
S275P-240 ¹	2X24HT	1	0	055	218.53
S275P-360 ¹	2X36HT	1	0	055	229.52
S275P-480 ¹	2X48HT	1	0	055	252.25
S375P-120 ¹	3X12HT	1	0	055	178.12
S375P-160 ¹	3X16HT	1	0	055	191.59
S375P-200 ¹	3X20HT	1	0	055	205.05
S375P-240 ¹	3X24HT	1	0	055	218.53
S375P-360 ¹	3X36HT	1	0	055	229.52
S375P-480 ¹	3X48HT	1	0	055	252.25
S475P-120 ¹	4X12HT	1	0	055	231.36

PVC Backwater Valves with Extension Kit to Premade Length

Soc x Soc - Assembled with Extension (continued)

Part Number	Size	Std Pk	Mstr Ctn	Disc Code	Price Each
S475P-160 ¹	4X16HT	1	0	055	249.59
S475P-200 ¹	4X20HT	1	0	055	266.20
S475P-240 ¹	4X24HT	1	0	055	283.85
S475P-360 ¹	4X36HT	1	0	055	298.11
S475P-480 ¹	4X48HT	1	0	055	327.60
S675P-120 ¹	6X12HT	1	0	055	485.82
S675P-160 ¹	6X16HT	1	0	055	524.14
S675P-200 ¹	6X20HT	1	0	055	559.02
S675P-240 ¹	6X24HT	1	0	055	596.16
S675P-360 ¹	6X36HT	1	0	055	626.04
S675P-480 ¹	6X48HT	1	0	055	687.95

¹ - Size designates nominal valve size x extension height (HT-top of valve to top of extension, inches)

PVC Service-Access Extension Kit Only to Premade Length



PVC Service-Access Extension Kit: includes factory assembled internal flap assembly, assembly extension pipe, and external extension housing with top access adapter. Requires solvent cement assembly to existing valve and uses existing threaded Access Plug. Standard Extensions are available in convenient increments of 12", 16", 20", 24", 36", and 48" (measured from top of valve to top of extension). Contact Spears® for pricing on custom cut lengths. All extension kits can be cut shorter in the field for custom fits prior to cementing access adapter in place.

PVC Service-Access Extension Kit Only to Premade Length

Part Number	Size	Std Pk	Mstr Ctn	Disc Code	Price Each
SAEK-020-120 ¹	2X12HT	1	0	055	55.55
SAEK-020-160 ¹	2X16HT	1	0	055	57.14
SAEK-020-200 ¹	2X20HT	1	0	055	58.65
SAEK-020-240 ¹	2X24HT	1	0	055	61.46
SAEK-020-360 ¹	2X36HT	1	0	055	64.37
SAEK-020-480 ¹	2X48HT	1	0	055	67.52
SAEK-030-120 ¹	3X12HT	1	0	055	60.24
SAEK-030-160 ¹	3X16HT	1	0	055	68.00
SAEK-030-200 ¹	3X20HT	1	0	055	72.04
SAEK-030-240 ¹	3X24HT	1	0	055	81.19
SAEK-030-360 ¹	3X36HT	1	0	055	96.04
SAEK-030-480 ¹	3X48HT	1	0	055	113.59
SAEK-040-120 ¹	4X12HT	1	0	055	89.83
SAEK-040-160 ¹	4X16HT	1	0	055	101.27
SAEK-040-200 ¹	4X20HT	1	0	055	124.92
SAEK-040-240 ¹	4X24HT	1	0	055	136.79



Thermoplastic Valves Industrial PVC Backwater Valves

PVC Service-Access Extension Kit Only to Premade Length (continued)

Part Number	Size	Std Pk	Mstr Ctn	Disc Code	Price Each
SAEK-040-360 ¹	4X36HT	1	0	055	172.06
SAEK-040-480 ¹	4X48HT	1	0	055	198.64
SAEK-060-120 ¹	6X12HT	1	0	055	160.94
SAEK-060-160 ¹	6X16HT	1	0	055	182.92
SAEK-060-200 ¹	6X20HT	1	0	055	207.41
SAEK-060-240 ¹	6X24HT	1	0	055	237.97
SAEK-060-360 ¹	6X36HT	1	0	055	295.39
SAEK-060-480 ¹	6X48HT	1	0	055	366.67

¹ - Size designates nominal valve size x extension height (HT-top of valve to top of extension, inches)

PVC Backwater Valve with Extension Components



PVC Backwater Valve with Extension Components Soc x Soc - Components Must be assembled with user supplied pipe (see Table 1)

Part Number	Size	Std Pk	Mstr Ctn	Disc Code	Price Each
S275P-AK	2	1	8	055	87.00
S375P-AK	3	1	0	055	87.00
S475P-AK	4	1	0	055	101.77
S675P-AK	6	1	0	055	360.38

PVC Backwater Valve Extension Components Only



PVC Backwater Valve Extension Components Only Must be assembled with user supplied pipe (see Table 1)

Part Number	Size	Std Pk	Mstr Ctn	Disc Code	Price Each
S275P-ECK	2	1	8	055	46.33
S375P-ECK	3	1	0	055	46.33
S475P-ECK	4	1	0	055	60.37
S675P-ECK	6	1	0	055	126.83

PVC Backwater Valve Extension Components Only Must be assembled with user supplied pipe (see Table 1) (continued)

**Table 1: User Supplied Pipe Requirements
For Use With Extension Components**

Part Number	Size	Std Pk	Mstr Ctn	Disc Code	Price Each
Valve Size	Acceptable RISER Pipe Types for User-Supplied Pipe	Acceptable HANDLE Pipe			
2"	4" Class 125 PVC PIPE 4" Sch 40 PVC PIPE	Use any 3/4" IPS plastic pipe ¹			
3"	5" Class 125 PVC PIPE 5" Sch 40 PVC PIPE ³ 6" D3034 (SDR 35) PVC SEWER PIPE ²				
4"	8" Class 125 PVC PIPE 8" Sch 40 PVC PIPE				
6"	10" Class 125 PVC PIPE 10" Sch 40 PVC PIPE				

Note 1: Riser and Handle pipe are *not* the same length. Sch 40 and/or Sch 80 pipe as well as ABS may be used. Special cement must be used to join PVC to ABS.
Note 2: When 6" SDR35 pipe is used, adapter fits pipe inside diameter.
Note 3: DO NOT use Sch 80 for 3" Riser pipe.

Industrial Backwater Valve Flapper Repair Kit



Industrial Backwater Valve Flapper Repair Kit

Part Number	Size	Std Pk	Mstr Ctn	Disc Code	Price Each
Complete Flapper Assembly replacement					
S275P-FRK	2	1	10	055	34.48
S375P-FRK	3	1	10	055	43.48
S475P-FRK	4	1	10	055	50.64
S675P-FRK	6	1	5	055	90.18

PVC Backwater Valve Metric Adapters



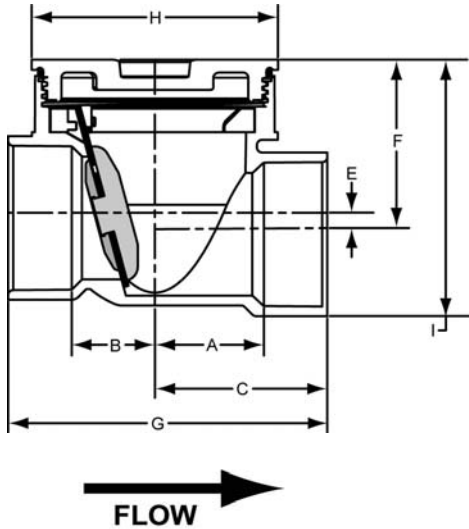
PVC Backwater Valve Metric Adapters

Part Number	Size	Std Pk	Mstr Ctn	Disc Code	Price Each
Metric Socket x ASTM Spigot					
S275MA-063	63mm X 2	50	0	055	15.28
S375MA-090	90mm X 3	25	0	055	16.42
S475MA-110	110mm X 4	10	0	055	19.45
S675MA-160	160mm X 6	4	0	055	44.89



Technical Information

STANDARD VALVE



Standard Valve Dimensions (Inches)

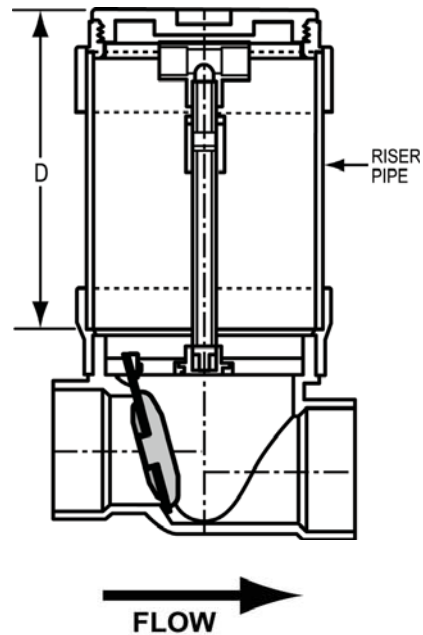
Size	A	B	C	E	F	G	H	I
2	1-13/16	1-3/4	2-5/8	5/16	3-1/4	5-9/32	4-3/16	4-9/16
3	2-5/8	2	4-3/16	13/32	4-1/8	7-3/4	6	6-1/8
4	3-5/8	3-3/4	5-7/16	23/32	5-7/16	10-15/16	8-1/4	7-15/16
6	4-3/4	4-5/8	7-3/4	13/16	7-3/16	15-3/8	11-1/4	10-13/16

Valve with Extension Kit Dimensions (Inches)

HEIGHT-D
12
16
20
24
36
48

D = Top of plug Standard Valve to top of plug with Extension

VALVE WITH EXTENSION KIT





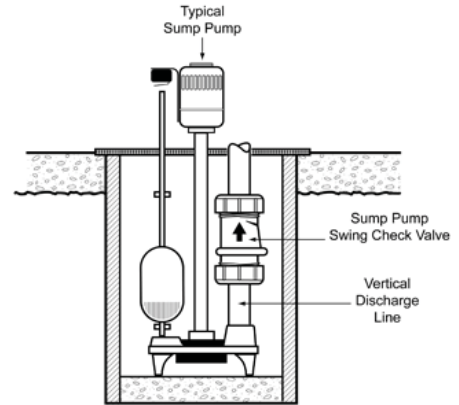
Thermoplastic Valves Sump Pump Swing Check Valve & Quiet Check Valve

Sump Pump Swing Check Valve



- Specifically Designed for Use on Sump Pump Discharge Lines (See Illustration)
- Includes Compression End Connectors with Buna-N Gaskets for Use on Either 1-1/4" or 1-1/2" Pipe
- All Plastic Construction with Elastomer Seals - No Metal Parts
- Angled Seat and Weighted Flapper for Low-Pressure Seal
- Suitable for Vertical Up-flow or Horizontal Installations

Pressure Rating @ 73°F (23°C), Water
 Full Flow (open) 150 psi
 Back Pressure (closed) 75 psi
 Maximum Service Temperature
 140°F (60°C)
 Temperature/Pressure De-ratings Apply



General Installation Information: Sump Pump Swing Check Valves may be installed in either vertical up-flow (see illustration) or horizontal positions on pump discharge line. Check valves MUST be installed with the valve's FLOW arrow pointing in the direction of the flow. In horizontal installations, the designated side must be positioned "up." Do Not install Check Valve upside down.

PVC Sump Pump Swing Check Valve

Part Number	Size	Std Pk	Mstr Ctn	Disc Code	Price Each
-------------	------	--------	----------	-----------	------------

Compression Ends

Buna-N Gaskets included for both 1-1/4" & 1-1/2" pipe

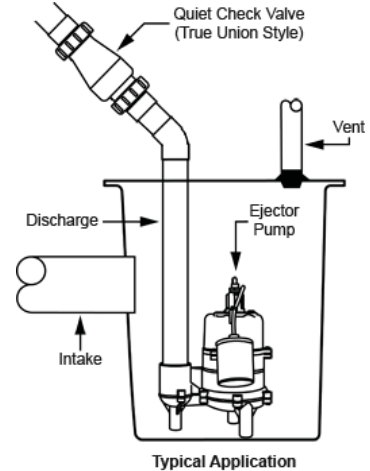
S1400-15	1-1/2 & 1-1/4	16	0	026	18.80
----------	---------------	----	---	-----	-------

Quiet Check Valve



- Designed to Provide Quiet Operation in Sump Pump or Sewage Ejector Pump Systems.
- Spring Controlled Rate of Closing Prevents Slamming and Eliminates Noise.
- Includes Both True Union Sockets for Easy Servicing and Direct Socket Connection for Installation in Confined Space.
- 2" Size for Sewage Ejector Systems, 1-1/2" Size for Sump Pump Effluent Systems.

Pressure Rating @ 73°F (23°C), Water
 Full Flow (open) 150 psi
 Back Pressure (closed) 75 psi
 Maximum Service Temperature 140°F (60°C)
 Temperature/Pressure De-ratings Apply



General Installation Information: Install check valve 12"-18" above pump discharge, or as recommended by pump system manufacturer. Be sure check valve installation complies with local codes. Valve may be installed in either vertical up-flow or horizontal positions on pump discharge line. Check valves MUST be installed with the valve's FLOW arrow pointing in the direction of the flow. In horizontal installations, the designated side must be positioned "up."

PVC Quiet Check Valve

Part Number	Size	Std Pk	Mstr Ctn	Disc Code	Price Each
-------------	------	--------	----------	-----------	------------

Soc x Soc

True Union or Direct Socket End Connection

8622-015	1-1/2	12	0	026	42.11
8622-020	2	10	0	026	60.19

Thermoplastic Valves Swing Check Ball Valve



- One-piece Combination for Applications Requiring In-line Ball Valve and Check Valves
- Compact, Space-Saving Design
- True Union Design Allows Easy Service and Cleaning
- High Grade EPDM Seals
- Replaceable PTFE HDPE Ball Valve Seats
- Safety-Blocked™ Seal Carrier on Ball Valve
- Replaceable Sealed Check Valve Cartridge
- Suitable for Horizontal or Vertical Up-flow Installations
- Socket End Connections

General Installation Information: Swing Check Ball Valves are designed for horizontal installations, but may be installed in up-flow only vertical position. The Check Valve portion **MUST** be installed with the valve's FLOW arrow pointing in the direction of flow and with the designated side up in horizontal installations. Do Not install Check Valve upside down. The Ball Valve portion may be rotated and installed in any position. Flow velocity should not exceed 5 ft./sec. Minimum opening pressure is less than 0.5 psi.

Pressure Rating @ 73°F (23°C), Water
 Full Flow (open) 150 psi
 Back Pressure (closed) 75 psi
Maximum Service Temperature
 140°F (60°C)
 Temperature/Pressure De-ratings Apply

PVC Swing Check Ball Valve

Part Number	Size	Std Pk	Mstr Ctn	Disc Code	Price Each
-------------	------	--------	----------	-----------	------------

Soc x Soc

7622-015	1-1/2	10	0	026	42.57
7622-020	2	6	0	026	61.09