



High Purity PVC System
Low-Extractable Piping For Ultra-Pure Water Systems

Spears® Low-Extractable SCHEDULE 80 PIPE

NOMINAL PIPE SIZE	PART NUMBER	AVG. OD	AVG. ID	MIN. WALL	MAX. W.P. PSI*	LBS/FT	LGTHS/ CARTONS
1/2"	LXT-005	.840	.528	.147	420	.202	22
3/4"	LXT-007	1.050	.724	.154	340	.273	22
1"	LXT-010	1.315	.935	.179	320	.402	18
1-1/4"	LXT-012	1.660	1.256	.191	260	.554	14
1-1/2"	LXT-015	1.900	1.476	.200	240	.673	11
2"	LXT-020	2.375	1.913	.218	200	.932	8
3"	LXT-030	3.500	2.864	.300	190	1.903	5
4"	LXT-040	4.500	3.786	.337	160	2.782	2
6"	LXT-060	6.625	5.709	.432	140	5.313	1

* PSI water, non-shock @ 73°F (23°C) with solvent welded connections.
Standard Length - 15 feet. All pipe is double-bagged and boxed on-line for high purity environments.

High Purity PVC System Low-Extractable Piping For Ultra-Pure Water Systems



Part Number	Size	Std Pk	Mstr Ctn	Disc Code	Price Each
-------------	------	--------	----------	-----------	------------

Spears® Low-Extractable Schedule 80 Pipe 15' Lengths, Price Per Foot

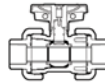


List Price Per Foot

Part Number	Size	Std Pk	Mstr Ctn	Disc Code	Price Each
LXT-005	1/2	300	0	064	4.81
LXT-007	3/4	255	0	064	6.52
LXT-010	1	150	0	064	9.60
LXT-012	1-1/4	120	0	064	13.28
LXT-015	1-1/2	105	0	064	16.07
LXT-020	2	75	0	064	22.29
LXT-030	3	45	0	064	45.47
LXT-040	4	30	0	064	66.47
LXT-060	6	15	0	064	154.11

See Spears® Low-Extractable Schedule 80 Pipe Chart for additional information.

Spears® True Union 2000 Industrial Ball Valves w/Handle Lockout & Safe-T-Block™

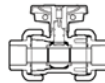


Design

EPDM O-ring

Part Number	Size	Std Pk	Mstr Ctn	Disc Code	Price Each
1829-005BL	1/2	1	18	066	93.55
1829-007BL	3/4	1	18	066	114.64
1829-010BL	1	1	12	066	145.44
1829-012BL	1-1/4	1	8	066	192.79
1829-015BL	1-1/2	1	8	066	252.12
1829-020BL	2	1	4	066	355.94
1822-030BL	3	1	0	066	658.63
1822-040BL	4	1	0	066	1113.46
1822-060BL	6	1	0	066	2031.16

Spears® True Union 2000 Industrial Ball Valves w/Handle Lockout & Safe-T-Block™



Design

FKM O-rings

Part Number	Size	Std Pk	Mstr Ctn	Disc Code	Price Each
1839-005BL	1/2	1	18	066	109.25
1839-007BL	3/4	1	18	066	129.23
1839-010BL	1	1	12	066	175.08
1839-012BL	1-1/4	1	8	066	244.26
1839-015BL	1-1/2	1	8	066	319.88
1839-020BL	2	1	4	066	418.69
1832-030BL	3	1	0	066	813.73
1832-040BL	4	1	0	066	1374.87
1832-060BL	6	1	0	066	2277.38

Spears® True Union 2000 Industrial T-Style Ball Valve



EPDM

Mainline Tee x Socket/Spigot

Safe-T-Block™ Design

Part Number	Size	Std Pk	Mstr Ctn	Disc Code	Price Each
182901-005BL	1/2	1	12	066	357.84
182901-007BL	3/4	1	8	066	391.01
182901-010BL	1	1	8	066	331.20
182901-012BL	1-1/4	1	0	066	369.44
182901-015BL	1-1/2	1	0	066	382.80
182901-020BL	2	1	0	066	408.95
182901-101BL	3/4X1/2	1	12	066	363.73
182901-130BL	1X1/2	1	8	066	377.36
182901-131BL	1X3/4	1	8	066	398.39
182901-166BL	1-1/4X1/2	1	8	066	403.68
182901-167BL	1-1/4X3/4	1	8	066	405.77
182901-168BL	1-1/4X1	1	8	066	465.12
182901-209BL	1-1/2X1/2	1	8	066	453.40
182901-210BL	1-1/2X3/4	1	8	066	405.77
182901-211BL	1-1/2X1	1	8	066	482.65
182901-247BL	2X1/2	1	8	066	517.75
182901-248BL	2X3/4	1	8	066	558.66
182901-249BL	2X1	1	8	066	587.96

Part Number	Size	Std Pk	Mstr Ctn	Disc Code	Price Each
-------------	------	--------	----------	-----------	------------

Spears® True Union 2000 Industrial T-Style Ball Valve

(continued)

EPDM

Mainline Tee x Socket/Spigot

Part Number	Size	Std Pk	Mstr Ctn	Disc Code	Price Each
182901-251BL	2X1-1/2	1	8	066	609.54
182901-333BL	3X1/2	1	0	066	681.59
182901-335BL	3X1	1	0	066	848.65
182901-337BL	3X1-1/2	1	0	066	813.19
182901-338BL	3X2	1	0	066	892.20
182901-417BL	4X1	1	0	066	877.56
182901-419BL	4X1-1/2	1	0	066	977.03
182901-420BL	4X2	1	0	066	1164.22
182901-528BL	6X2	1	0	066	1520.66
182901-578BL	8X2	1	0	066	2243.64

Includes Plugged end with additional Socket and Threaded end connectors.

Spears® True Union 2000 Industrial T-Style Ball Valve



FKM

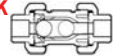
Mainline Tee x Socket/Spigot

Safe-T-Block™ Design

Part Number	Size	Std Pk	Mstr Ctn	Disc Code	Price Each
183901-005BL	1/2	1	12	066	374.69
183901-007BL	3/4	1	8	066	410.36
183901-010BL	1	1	8	066	427.41
183901-015BL	1-1/2	1	0	066	441.55
183901-020BL	2	1	4	066	502.77
183901-101BL	3/4X1/2	1	12	066	380.60
183901-130BL	1X1/2	1	8	066	394.23
183901-131BL	1X3/4	1	8	066	417.74
183901-166BL	1-1/4X1/2	1	8	066	420.55
183901-167BL	1-1/4X3/4	1	8	066	425.12
183901-168BL	1-1/4X1	1	8	066	494.15
183901-209BL	1-1/2X1/2	1	8	066	420.55
183901-210BL	1-1/2X3/4	1	8	066	425.12
183901-211BL	1-1/2X1	1	8	066	494.15
183901-247BL	2X1/2	1	8	066	534.64
183901-248BL	2X3/4	1	8	066	578.02
183901-249BL	2X1	1	8	066	617.00
183901-251BL	2X1-1/2	1	8	066	726.59
183901-333BL	3X1/2	1	0	066	698.44
183901-335BL	3X1	1	0	066	742.80
183901-337BL	3X1-1/2	1	0	066	849.44
183901-338BL	3X2	1	0	066	959.67
183901-417BL	4X1	1	0	066	906.60
183901-419BL	4X1-1/2	1	0	066	1013.25
183901-420BL	4X2	1	0	066	1231.74
183901-528BL	6X2	1	0	066	1588.17
183901-578BL	8X2	1	0	066	2311.13

Includes Plugged end with additional Socket and Threaded end connectors.

Spears® True Union 2000 Industrial Ball Check Valves



EPDM O-rings

Part Number	Size	Std Pk	Mstr Ctn	Disc Code	Price Each
4529-005BL	1/2	1	18	066	136.92
4529-007BL	3/4	1	18	066	165.42
4529-010BL	1	1	18	066	189.37
4529-012BL	1-1/4	1	12	066	335.40
4529-015BL	1-1/2	1	8	066	354.80
4529-020BL	2	1	8	066	593.23
4522-030BL	3	1	0	066	832.82
4522-040BL	4	1	0	066	1562.25

Spears® True Union 2000 Industrial Ball Check Valves



FKM O-rings

Part Number	Size	Std Pk	Mstr Ctn	Disc Code	Price Each
4539-005BL	1/2	1	18	066	151.74
4539-007BL	3/4	1	18	066	182.53



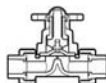
High Purity PVC System Low-Extractable Piping For Ultra-Pure Water Systems

Part Number	Size	Std Pk	Mstr Ctn	Disc Code	Price Each
-------------	------	--------	----------	-----------	------------

Spears® True Union 2000 Industrial Ball Check Valves (continued) FKM O-rings

4539-010BL	1	1	18	066	205.56
4539-012BL	1-1/4	1	12	066	347.94
4539-015BL	1-1/2	1	8	066	376.66
4539-020BL	2	1	8	066	616.06
4532-030BL	3	1	0	066	887.04
4532-040BL	4	1	0	066	1645.98

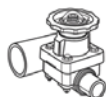
Spears® Diaphragm Valves EPDM O-ring Seals EPDM Backed PTFE Diaphragm



2729T-005BL	1/2	1	12	066	258.19
2729T-007BL	3/4	1	8	066	277.39
2729T-010BL	1	1	8	066	324.23
2729T-012BL	1-1/4	1	4	066	438.31
2729T-015BL	1-1/2	1	4	066	531.98
2729T-020BL	2	1	0	066	698.91

Note: Both socket and threaded end connectors are provided with valve sizes 1/2" -2" Diaphragm valves. Valves carry a maximum pressure rating of 150 psi for water, non-shock, @ 73°F (23°C).

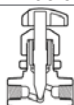
Spears® T-style "Zero Dead Leg" Diaphragm Valve



Mainline Tee x Spigot EPDM O-ring Seals EPDM Backed PTFE Diaphragm

2797TZD-005BL	1/2	1	8	066	344.91
2797TZD-007BL	3/4	1	8	066	368.28
2797TZD-010BL	1X1	1	8	066	533.54
2797TZD-015BL	1-1/2	1	4	066	806.49
2797TZD-020BL	2X2	1	0	066	921.56
2797TZD-130BL	1X1/2	1	8	066	346.95
2797TZD-131BL	1X3/4	1	8	066	369.15
2797TZD-247BL	2X1/2	1	8	066	373.69
2797TZD-249BL	2X1	1	12	066	558.61
2797TZD-251BL	2X1-1/2	1	4	066	798.52

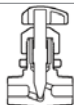
Spears® Needle Valve Globe Pattern - FIPT



5591-002BL	1/4	1	18	066	124.88
5591-003BL	3/8	1	18	066	124.88

Replaceable PTFE Stem Seal - no elastomer or lubricants used. Needle valves carry a maximum internal pressure rating of 235 psi at 73°F (23°C).

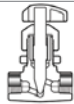
Spears® Needle Valve Globe Pattern - Soc



5592-002BL	1/4	1	18	066	124.88
5592-003BL	3/8	1	18	066	124.88
5592-005BL	1/2	1	18	066	129.95

Replaceable PTFE Stem Seal - no elastomer or lubricants used. Needle valves carry a maximum internal pressure rating of 235 psi at 73°F (23°C).

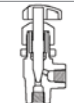
Spears® Needle Valve Globe Pattern - SR FIPT



5591-005BLSR	1/2	1	18	066	132.57
--------------	-----	---	----	-----	--------

Replaceable PTFE Stem Seal - no elastomer or lubricants used. Needle valves carry a maximum internal pressure rating of 235 psi at 73°F (23°C).

Spears® Needle Valve Angle Pattern - FIPT



5691-002BL	1/4	1	18	066	124.88
------------	-----	---	----	-----	--------

Part Number	Size	Std Pk	Mstr Ctn	Disc Code	Price Each
-------------	------	--------	----------	-----------	------------

Spears® Needle Valve (continued) Angle Pattern - FIPT

5691-003BL	3/8	1	18	066	124.88
------------	-----	---	----	-----	--------

Replaceable PTFE Stem Seal - no elastomer or lubricants used. Needle valves carry a maximum internal pressure rating of 235 psi at 73°F (23°C).

Spears® Needle Valve Angle Pattern - Soc



5692-002BL	1/4	1	18	066	124.88
5692-003BL	3/8	1	18	066	124.88
5692-005BL	1/2	1	18	066	132.57

Replaceable PTFE Stem Seal - no elastomer or lubricants used. Needle valves carry a maximum internal pressure rating of 235 psi at 73°F (23°C).

Spears® Needle Valve Angle Pattern - SR FIPT



5691-005BLSR	1/2	1	18	066	132.57
--------------	-----	---	----	-----	--------

Replaceable PTFE Stem Seal - no elastomer or lubricants used. Needle valves carry a maximum internal pressure rating of 235 psi at 73°F (23°C).

Spears® Gauge Guards PTFE Diaphragm 1/4" Inlet Connection



G0004-002BL	No Gauge	1	18	623	141.86
G30V4-002BL	0-30 in-Hg	1	18	623	219.41
G0154-002BL	0-15 psi	1	18	623	207.37
G0304-002BL	0-30 psi	1	18	623	207.37
G0604-002BL	0-60 psi	1	18	623	207.37
G1004-002BL	0-100 psi	1	18	623	207.37
G1604-002BL	0-160 psi	1	18	623	207.37
G2004-002BL	0-200 psi	1	18	623	207.37
G3004-002BL	0-300 psi	1	18	623	207.37

"No Gauge" designates Gauge Guard only, unfilled. Other units are pre-filled and factory assembled with gauge specified in Size column. Gauge Guards carry a maximum pressure rating to 235 psi @ 73°F (23°C) and full vacuum service on vacuum gauges. All inlet connections are Spears® patented Special Reinforced (SR) female plastic NPT thread.

Spears® Gauge Guards PTFE Diaphragm 1/2" Inlet Connection



G0004-005BL	No Gauge	1	18	623	141.86
G30V4-005BL	0-30 in-Hg	1	18	623	219.41
G0154-005BL	0-15 psi	1	18	623	207.37
G0304-005BL	0-30 psi	1	18	623	207.37
G0604-005BL	0-60 psi	1	18	623	207.37
G1004-005BL	0-100 psi	1	18	623	207.37
G1604-005BL	0-160 psi	1	18	623	207.37
G2004-005BL	0-200 psi	1	18	623	207.37
G3004-005BL	0-300 psi	1	18	623	207.37

"No Gauge" designates Gauge Guard only, unfilled. Other units are pre-filled and factory assembled with gauge specified in Size column. Gauge Guards carry a maximum pressure rating to 235 psi @ 73°F (23°C) and full vacuum service on vacuum gauges. All inlet connections are Spears® patented Special Reinforced (SR) female plastic NPT thread.

Spears® Gauge Guards FKM Diaphragm 1/4" Inlet Connection



G0003-002BL	No Gauge	1	18	623	141.86
G30V3-002BL	0-30 in-Hg	1	18	623	219.41
G0153-002BL	0-15 psi	1	18	623	207.37
G0303-002BL	0-30 psi	1	18	623	207.37
G0603-002BL	0-60 psi	1	18	623	207.37
G1003-002BL	0-100 psi	1	18	623	207.37
G1603-002BL	0-160 psi	1	18	623	207.37
G2003-002BL	0-200 psi	1	18	623	207.37
G3003-002BL	0-300 psi	1	18	623	207.37

High Purity PVC System Low-Extractable Piping For Ultra-Pure Water Systems



Part Number	Size	Std Pk	Mstr Ctn	Disc Code	Price Each
-------------	------	--------	----------	-----------	------------

Spears® Gauge Guards (continued)

FKM Diaphragm 1/4" Inlet Connection

"No Gauge" designates Gauge Guard only, unfilled. Other units are pre-filled and factory assembled with gauge specified in Size column. Gauge Guards carry a maximum pressure rating to 235 psi @ 73°F (23°C) and full vacuum service on vacuum gauges. All inlet connections are Spears® patented Special Reinforced (SR) female plastic NPT thread.

Spears® Gauge Guards FKM Diaphragm 1/2" Inlet Connection



G0003-005BL	No Gauge	1	18	623	141.86
G30V3-005BL	0-30 in-Hg	1	18	623	219.41
G0153-005BL	0-15 psi	1	18	623	207.37
G0303-005BL	0-30 psi	1	18	623	207.37
G0603-005BL	0-60 psi	1	18	623	207.37
G1003-005BL	0-100 psi	1	18	623	207.37
G1603-005BL	0-160 psi	1	18	623	207.37
G2003-005BL	0-200 psi	1	18	623	207.37
G3003-005BL	0-300 psi	1	18	623	207.37

"No Gauge" designates Gauge Guard only, unfilled. Other units are pre-filled and factory assembled with gauge specified in Size column. Gauge Guards carry a maximum pressure rating to 235 psi @ 73°F (23°C) and full vacuum service on vacuum gauges. All inlet connections are Spears® patented Special Reinforced (SR) female plastic NPT thread.

Spears® Gauge Guards EPDM Diaphragm 1/4" Inlet Connection



G0002-002BL	No Gauge	1	18	623	136.19
G30V2-002BL	0-30 in-Hg	1	18	623	210.63
G0152-002BL	0-15 psi	1	18	623	199.09
G0302-002BL	0-30 psi	1	18	623	199.09
G0602-002BL	0-60 psi	1	18	623	199.09
G1002-002BL	0-100 psi	1	18	623	199.09
G1602-002BL	0-160 psi	1	18	623	199.09
G2002-002BL	0-200 psi	1	18	623	199.09
G3002-002BL	0-300 psi	1	18	623	199.09

"No Gauge" designates Gauge Guard only, unfilled. Other units are pre-filled and factory assembled with gauge specified in Size column. Gauge Guards carry a maximum pressure rating to 235 psi @ 73°F (23°C) and full vacuum service on vacuum gauges. All inlet connections are Spears® patented Special Reinforced (SR) female plastic NPT thread.

Spears® Gauge Guards EPDM Diaphragm 1/2" Inlet Connection



G0002-005BL	No Gauge	1	18	623	136.19
G30V2-005BL	0-30 in-Hg	1	18	623	210.63
G0152-005BL	0-15 psi	1	18	623	199.09
G0302-005BL	0-30 psi	1	18	623	199.09
G0602-005BL	0-60 psi	1	18	623	199.09
G1002-005BL	0-100 psi	1	18	623	199.09
G1602-005BL	0-160 psi	1	18	623	199.09
G2002-005BL	0-200 psi	1	18	623	199.09
G3002-005BL	0-300 psi	1	18	623	199.09

"No Gauge" designates Gauge Guard only, unfilled. Other units are pre-filled and factory assembled with gauge specified in Size column. Gauge Guards carry a maximum pressure rating to 235 psi @ 73°F (23°C) and full vacuum service on vacuum gauges. All inlet connections are Spears® patented Special Reinforced (SR) female plastic NPT thread.

LX-5 Low Extractable One-Step Cement



LX5C-020	Pint	12	0	702	33.96
LX5C-030	Quart	12	0	702	54.77



Empty Can

MT-654	Pint	12	0	710	7.40
--------	------	----	---	-----	------

Part Number	Size	Std Pk	Mstr Ctn	Disc Code	Price Each
-------------	------	--------	----------	-----------	------------

Empty Can (continued)

MT-651	Quart	12	0	710	8.36
MT-653	Quart	12	0	710	8.36

MT-651 & MT-654 cans have 1-3/4" Screw Neck size
MT-653 is a TT Paint Type can

Brush For Pint and Quart cans



KD-110	4-1/2" Length	25	0	710	9.59
KD-112	5-1/2" length	25	0	710	9.59

Fits 1-3/4" Screw Cap

Roller



3020	3" length	20	0	710	16.03
------	-----------	----	---	-----	-------

Fits Paint Type Quart Can (MT-653). For use with pipe sizes 3" to 6"

Cap Dauber



DP-75	3/4" for Pint	50	0	710	1.31
DP-125	1-1/4" for Pint	50	0	710	1.58
DQ-125	1-1/4" for Quart	50	0	710	1.58

1/2" Diameter for pipe sizes to 1"
3/4" Diameter for pipe size to 1-1/2"
1-1/4" Diameter for pipe size 1-1/2" to 3"

Can-Mate Dauber



CM-75	3/4"	50	0	710	5.26
CM-150	1-1/4"	50	0	710	5.26

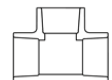
1/2" Diameter for pipe sizes to 1"
3/4" Diameter for pipe size to 1-1/2"
1-1/4" Diameter for pipe size 1-1/2" to 3"

Deburring Tool Cone Type for pipe from 1/2" through 2"



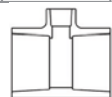
DEB-2	1/2 to 2 Pipe	1	6	710	97.71
-------	---------------	---	---	-----	-------

Tee Soc



801-005BL	1/2	25	0	065	7.27
801-007BL	3/4	15	120	065	8.88
801-010BL	1	15	0	065	13.09
801-012BL	1-1/4	10	0	065	20.40
801-015BL	1-1/2	10	0	065	30.63
801-020BL	2	10	0	065	48.63
801-030BL	3	5	0	065	140.51
801-040BL	4	5	0	065	234.93
801-060BL	6	4	0	065	352.40

Reducing Tee Soc



801-131BL	1X1X3/4	15	0	065	12.22
801-211BL	1-1/2X1-1/2X1	10	0	065	26.55
801-249BL	2X2X1	10	0	065	33.61
801-251BL	2X2X1-1/2	10	0	065	33.61
801-338BL	3X3X2	5	0	065	61.63
801-422BL	4X4X3	5	0	065	99.63
801-530BL	6X6X3	4	0	065	422.69



High Purity PVC System Low-Extractable Piping For Ultra-Pure Water Systems

Part Number	Size	Std Pk	Mstr Ctn	Disc Code	Price Each
-------------	------	--------	----------	-----------	------------

Reducing Tee (continued)

Soc

801-532BL	6X6X4	5	0	065	422.69
-----------	-------	---	---	-----	--------

90° Ell

Soc



806-005BL	1/2	20	160	065	4.51
806-007BL	3/4	20	160	065	5.39
806-010BL	1	10	80	065	10.68
806-012BL	1-1/4	10	0	065	17.05
806-015BL	1-1/2	10	0	065	25.23
806-020BL	2	25	0	065	42.62
806-030BL	3	5	0	065	109.29
806-040BL	4	5	0	065	201.75
806-060BL	6	4	0	065	302.62

90° Sweep Ell

Soc



806-005SBL	1/2	25	100	065	6.43
806-007SBL	3/4	25	0	065	7.71
806-010SBL	1	25	0	065	15.26
806-012SBL	1-1/4	25	0	065	24.37
806-015SBL	1-1/2	25	0	065	36.02
806-020SBL	2	25	0	065	60.89

45° Ell

Soc



817-005BL	1/2	20	240	065	7.21
817-007BL	3/4	10	120	065	9.86
817-010BL	1	15	120	065	11.83
817-012BL	1-1/4	10	0	065	20.57
817-015BL	1-1/2	10	0	065	22.81
817-020BL	2	10	0	065	36.02
817-030BL	3	5	0	065	135.52
817-040BL	4	5	0	065	197.68
817-060BL	6	5	0	065	296.53

Coupling

Soc



829-005BL	1/2	25	300	065	3.25
829-007BL	3/4	15	180	065	3.73
829-010BL	1	15	120	065	6.86
829-012BL	1-1/4	10	80	065	10.35
829-015BL	1-1/2	10	0	065	21.34
829-020BL	2	10	0	065	30.63
829-030BL	3	5	0	065	49.83
829-040BL	4	5	0	065	90.65
829-060BL	6	4	0	065	192.45

Reducer Coupling

Soc



829-101BL	3/4X1/2	50	0	065	8.66
829-131BL	1X3/4	25	200	065	12.62
829-168BL	1-1/4X1	25	0	065	25.63
829-211BL	1-1/2X1	25	0	065	26.88
829-212BL	1-1/2X1-1/4	25	0	065	33.21
829-249BL	2X1	10	0	065	30.32
829-251BL	2X1-1/2	10	0	065	30.32
829-338BL	3X2	8	0	065	74.39
829-420BL	4X2	4	0	065	141.83
829-422BL	4X3	4	0	065	136.49

Part Number	Size	Std Pk	Mstr Ctn	Disc Code	Price Each
-------------	------	--------	----------	-----------	------------

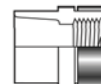
Reducer Coupling (continued)

Soc

829-532BL	6X4	4	0	065	523.09
-----------	-----	---	---	-----	--------

Special Reinforced Female Adapter

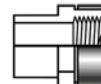
Soc x SR Fipt



835-005SRBL	1/2	25	300	065	6.74
835-007SRBL	3/4	25	200	065	8.26
835-010SRBL	1	25	0	065	13.28
835-012SRBL	1-1/4	10	80	065	17.15
835-015SRBL	1-1/2	10	80	065	21.45
835-020SRBL	2	10	0	065	40.67
835-030SRBL	3	5	0	065	54.99
835-040SRBL	4	5	0	065	88.25

Special Reinforced Reducing Spigot Female Adapter

Spig x SR Fipt



878-072SRBL	1/2X1/4	25	450	065	13.43
878-098SRBL	3/4X1/4	50	300	065	18.55
878-128SRBL	1X1/4	50	0	065	19.08

Male Adapter

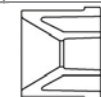
Mipt x Soc



836-005BL	1/2	25	300	065	8.25
836-007BL	3/4	25	200	065	9.12
836-010BL	1	10	80	065	15.80
836-012BL	1-1/4	10	80	065	18.47
836-015BL	1-1/2	10	80	065	26.55
836-020BL	2	10	0	065	38.37
836-030BL	3	5	0	065	60.54
836-040BL	4	5	0	065	86.11

Reducer Bushing Flush Style

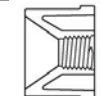
Spig x Soc



837-101BL	3/4X1/2	50	0	065	4.91
837-130BL	1X1/2	50	0	065	7.24
837-131BL	1X3/4	50	0	065	7.24
837-166BL	1-1/4X1/2	25	0	065	10.27
837-168BL	1-1/4X1	25	200	065	10.27
837-210BL	1-1/2X3/4	25	0	065	13.98
837-211BL	1-1/2X1	25	200	065	13.98
837-212BL	1-1/2X1-1/4	25	200	065	13.98
837-249BL	2X1	10	80	065	19.96
837-251BL	2X1-1/2	10	80	065	19.96
837-338BL	3X2	10	0	065	54.86
837-422BL	4X3	6	0	065	94.97
837-532BL	6X4	5	0	065	150.88

Reducer Bushing Flush Style

Spig x Fipt



838-072BL	1/2X1/4	50	400	065	6.28
838-073BL	1/2X3/8	50	600	065	6.28
838-098BL	3/4X1/4	50	0	065	4.15
838-101BL	3/4X1/2	50	0	065	4.15
838-129BL	1X3/8	50	400	065	6.54
838-130BL	1X1/2	50	0	065	6.54
838-131BL	1X3/4	50	0	065	6.54
838-210BL	1-1/2X3/4	25	200	065	17.17
838-211BL	1-1/2X1	25	200	065	17.17

High Purity PVC System Low-Extractable Piping For Ultra-Pure Water Systems



Part Number	Size	Std Pk	Mstr Ctn	Disc Code	Price Each
-------------	------	--------	----------	-----------	------------

Cap Soc



847-005BL	1/2	25	300	065	6.95
847-007BL	3/4	25	300	065	7.29
847-010BL	1	15	180	065	12.96
847-012BL	1-1/4	10	120	065	15.65
847-015BL	1-1/2	10	80	065	22.35
847-020BL	2	10	80	065	30.91
847-030BL	3	5	0	065	73.88
847-040BL	4	5	0	065	124.56
847-060BL	6	4	0	065	420.95

Union

Soc x Soc EPDM O-ring Seals



235 psi Maximum Internal Pressure Rating @ 73°F (23°C)

897-005BL	1/2	10	60	065	12.43
897-007BL	3/4	10	40	065	15.60
897-010BL	1	10	40	065	20.40
897-012BL	1-1/4	5	20	065	29.42
897-015BL	1-1/2	5	0	065	40.23
897-020BL	2	5	0	065	60.65
8097-030BL	3	5	0	065	102.73
8097-040BL	4	4	0	065	142.14

Union

Soc x Soc FKM O-ring Seals



235 psi Maximum Internal Pressure Rating @ 73°F (23°C)

857-005BL	1/2	10	60	065	15.26
857-007BL	3/4	10	40	065	18.62
857-010BL	1	10	40	065	25.81
857-012BL	1-1/4	5	20	065	34.83
857-015BL	1-1/2	5	0	065	48.63
857-020BL	2	5	0	065	73.85
8057-030BL	3	5	0	065	125.25
8057-040BL	4	4	0	065	173.37

Flange Soc Van Stone Style

Rated @ 150 psi Working Pressure @ 73°F (23°C)



854-005BL	1/2	25	0	065	21.40
854-007BL	3/4	25	0	065	22.91
854-010BL	1	15	0	065	25.51
854-012BL	1-1/4	15	0	065	26.29
854-015BL	1-1/2	20	0	065	26.84
854-020BL	2	10	0	065	35.67
854-030BL	3	10	0	065	60.92
854-040BL	4	5	0	065	77.05
854-060BL	6	4	0	065	172.61

PVC New Style Standard Tank Adapters with EPDM Gaskets

Soc



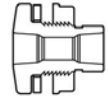
150 psi Maximum Internal Pressure Rating @ 73°F (23°C)

8170E-005BL	1/2	25	0	065	41.83
8170E-007BL	3/4	25	0	065	47.47
8170E-010BL	1	25	0	065	54.49
8170E-012BL	1-1/4	20	0	065	68.97
8170E-015BL	1-1/2	20	0	065	72.38
8170E-020BL	2	15	0	065	104.33
8170E-030BL	3	4	0	065	176.42
8170E-040BL	4	2	0	065	292.86

Part Number	Size	Std Pk	Mstr Ctn	Disc Code	Price Each
-------------	------	--------	----------	-----------	------------

PVC New Style Standard Tank Adapters with FKM Gaskets

Soc



150 psi Maximum Internal Pressure Rating @ 73°F (23°C)

8170V-005BL	1/2	25	0	065	54.84
8170V-007BL	3/4	25	0	065	63.09
8170V-010BL	1	25	0	065	73.03
8170V-012BL	1-1/4	20	0	065	89.73
8170V-015BL	1-1/2	20	0	065	93.53
8170V-020BL	2	15	0	065	141.60
8170V-030BL	3	4	0	065	242.61
8170V-040BL	4	2	0	065	537.40

Wrench Sets

Body Wrench & Nut Wrench



TAW-005	1/2	1	25	299	21.89
TAW-007	3/4	1	25	299	22.32
TAW-010	1	1	25	299	23.21
TAW-012	1-1/4	1	20	299	26.18
TAW-015	1-1/2	1	20	299	28.40
TAW-020	2	1	10	299	32.35
TAW-030	3	1	10	299	39.44
TAW-040	4	1	10	299	42.26

Individual Body Wrench



TAW1-005	1/2	250	0	299	12.28
TAW1-007	3/4	220	0	299	12.52
TAW1-010	1	200	0	299	13.03
TAW1-012	1-1/4	300	0	299	14.76
TAW1-015	1-1/2	150	0	299	15.89
TAW1-020	2	100	0	299	17.25
TAW1-030	3	74	0	299	22.61
TAW1-040	4	35	0	299	23.26

Individual Nut Wrench



TAW2-005	1/2	200	0	299	12.28
TAW2-007	3/4	160	0	299	12.52
TAW2-010	1	110	0	299	13.03
TAW2-012	1-1/4	200	0	299	14.76
TAW2-015	1-1/2	120	0	299	15.89
TAW2-020	2	100	0	299	17.25
TAW2-030	3	40	0	299	22.61
TAW2-040	4	35	0	299	23.26

Standard Deck Mount Lab Fixture

Base with Valve, Gooseneck & Serrated Tip with Needle Valve-Metered Flow

LF1000-BLN	LXT, PTFE Seal	1	0	066	376.37
------------	----------------	---	---	-----	--------

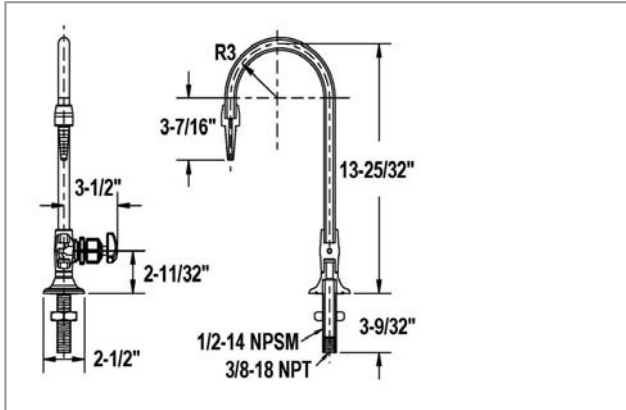


High Purity PVC System Low-Extractable Piping For Ultra-Pure Water Systems

Part Number	Size	Std Pk	Mstr Ctn	Disc Code	Price Each
-------------	------	--------	----------	-----------	------------

Standard Deck Mount Lab Fixture (continued)

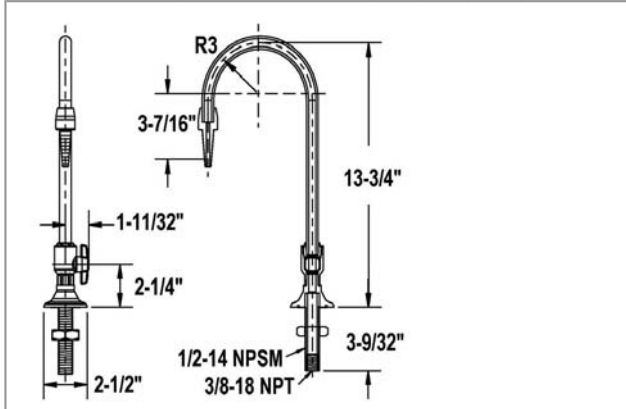
Base with Valve, Gooseneck & Serrated Tip with Needle Valve-Metered Flow



Standard Deck Mount Lab Fixture

With Ball Valve-Direct Flow

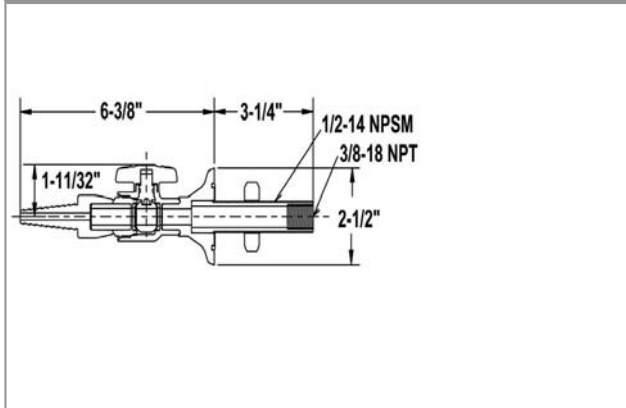
LF1002-BL	LXT, EPDM Seal	1	0	066	314.74
LF1003-BL	LXT, FKM Seal	1	0	066	349.72



Panel Mount Turret Lab Fixture

Base with Valve & Serrated Tip with Ball Valve-Direct Flow

LF3002-BL	PVC, EPDM Seal	1	0	066	309.60
LF3003-BL	PVC, FKM Seal	1	0	066	344.04

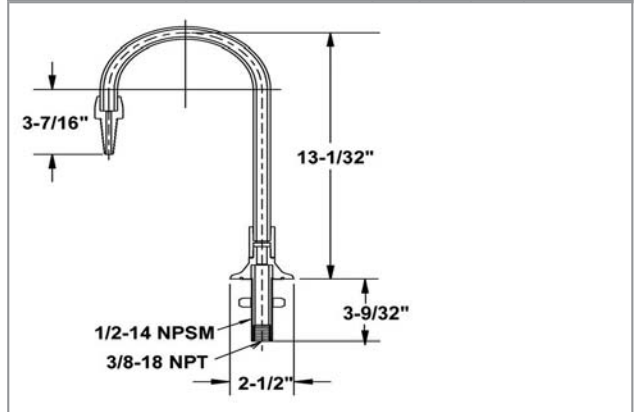


Part Number	Size	Std Pk	Mstr Ctn	Disc Code	Price Each
-------------	------	--------	----------	-----------	------------

Deck Mount Gooseneck

Base with Gooseneck & Serrated Tip - For use with Remote Valve

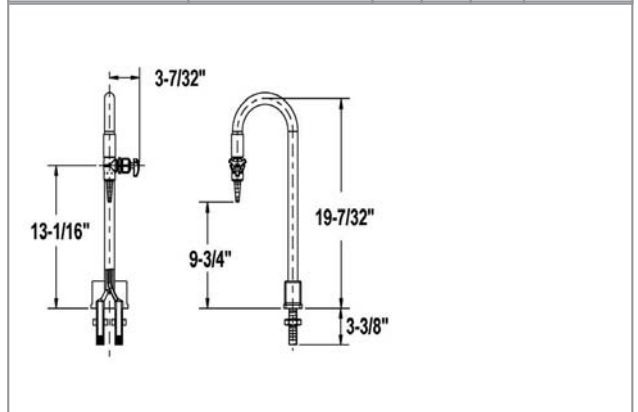
LF100-BL	LXT	1	0	066	258.28
----------	-----	---	---	-----	--------



Recirculating Deck Mount Lab Fixture

Base with Gooseneck, Valve & Serrated Tip with Needle Valve - Metered Flow

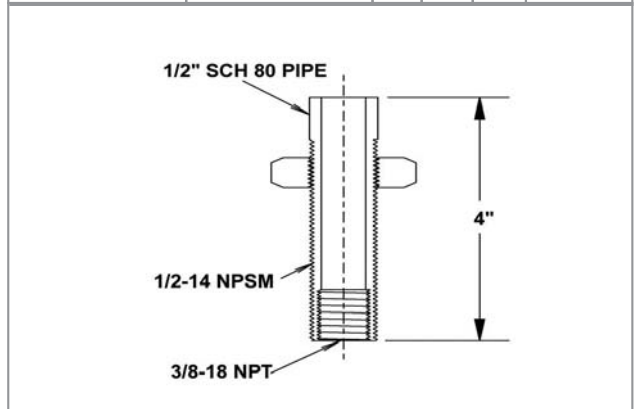
LF1000-BLN	LXT, PTFE Seal	1	0	066	784.05
------------	----------------	---	---	-----	--------



Fixture Connection Nipple

With Locknut (Included on all fixtures listed above)

LF500-BL	LXT	1	0	066	42.78
----------	-----	---	---	-----	-------



**High Purity PVC System
Low-Extractable Piping For Ultra-Pure Water Systems**

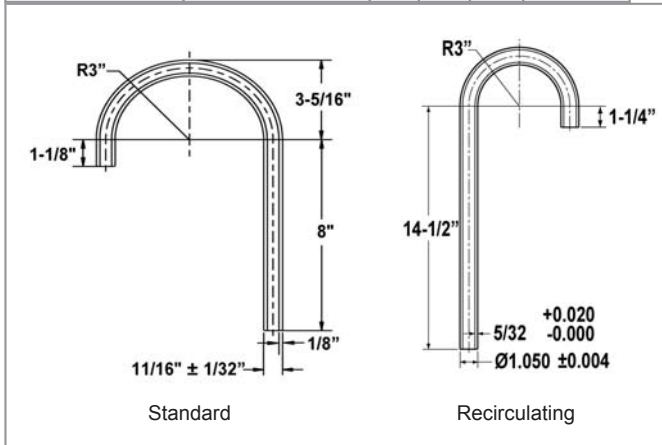


Part Number	Size	Std Pk	Mstr Ctn	Disc Code	Price Each
-------------	------	--------	----------	-----------	------------

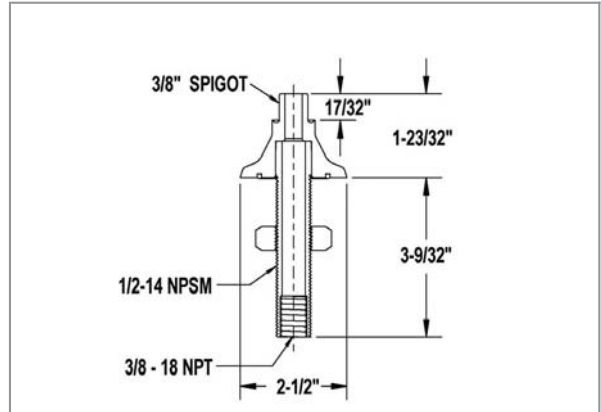
Part Number	Size	Std Pk	Mstr Ctn	Disc Code	Price Each
-------------	------	--------	----------	-----------	------------

Standard & Recirculating Gooseneck Only

LFGN-BL	LXT	1	0	066	36.36
LFRGN-BL	LXT	1	0	066	50.95

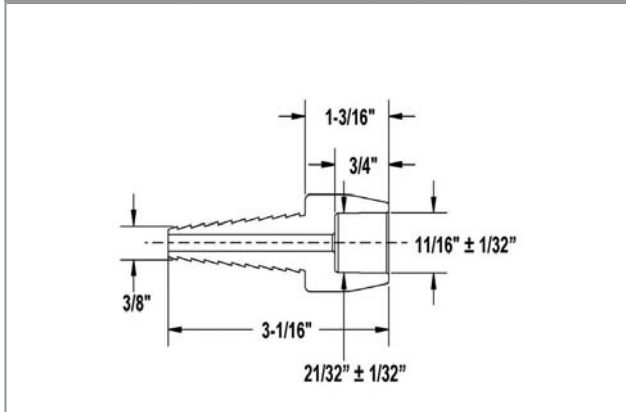


**Base Only (continued)
Deck Mount**



Straight Serrated Tip Only

LF400-BL	LXT	600	0	066	7.69
----------	-----	-----	---	-----	------



**Base Only
Deck Mount**

LFB-BL	LXT	1	0	066	5.38
--------	-----	---	---	-----	------