

# CTS 1/4-Turn Angle Supply Stop



## Features – CPVC

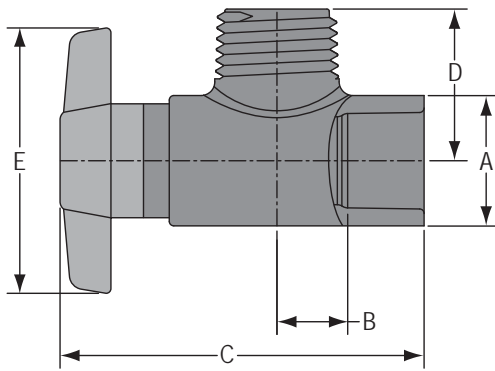
Used at plumbing fixtures to terminate and control hot and cold water, this all-plastic quarter-turn shutoff valve is specially designed for use with CTS (Copper Tube Size) CPVC Hot & Cold Water Distribution Systems. Available in 1/2" CTS Socket or Spears® patented Special Reinforced (SR) 1/2" FIPT female thread inlet x 1/2" straight male thread outlet for connection to conventional 1/2" FPT faucet or toilet supply lines with captive seals.

- Easy 1/4-Turn Shutoff
- All Plastic Corrosion Proof Construction
- CTS CPVC Tan Body with Tan Colored High Impact Polypropylene Handle
- High Quality EPDM Seals
- NSF® Certified to ASTM F 1970 for use in ASTM D 2846 Hot & Cold Water Distribution Systems rated to 100 psi @ 180°F

## Sample Engineering Specification

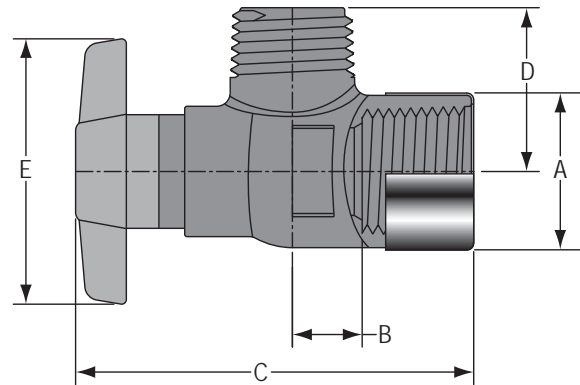
All thermoplastic Angle Supply Stops shall be Copper Tube Size (CTS) sealed unit type constructed from CPVC Type IV, ASTM D 1784 Cell Classification 23447. All O-rings shall be EPDM. All valves shall have Polypropylene handle. All Angle Supply Stops shall be pressure rated at 100 psi for water at 180°F, as manufactured by Spears® Manufacturing Company.

## Dimensions



**1/4-Turn Angle Supply Stop  
Socket x NPT**

Nominal Size	A	B	C	D	E
1/2	27/32	7/16	2-13/32	1	1-3/4
1/2 x 3/8	7/8	7/16	2-3/8	7/8	1-3/4



**1/4-Turn Angle Supply Stop  
SR FIPT x NPT**

Nominal Size	A	B	C	D	E
1/2	1	15/32	2-21/32	1	1-3/4
1/2 x 3/8	1-1/32	15/32	2-5/8	31/32	1-3/4

## Quick-View Valve Selection Chart

Valve Size	O-ring Material	Part Number		Pressure Rating
		Socket	SR Threaded	
1/2	EPDM	7722-005	7721-005SR	100 psi Non-Shock Water @ 180°F
1/2 x 3/8	EPDM	7722-073	7721-073SR	100 psi Non-Shock Water @ 180°F