



# CTS 1/4-TURN ANGLE SUPPLY STOP



## Features – CPVC

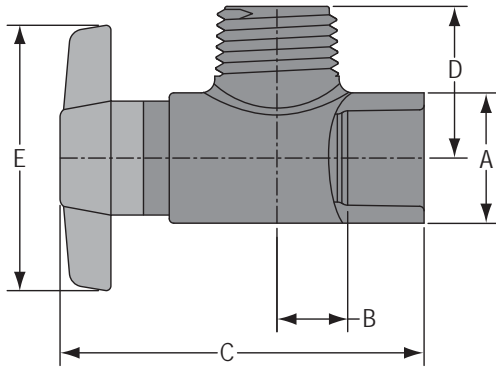
Used at plumbing fixtures to terminate and control hot and cold water, this all-plastic quarter-turn shutoff valve is specially designed for use with CTS (Copper Tube Size) CPVC Hot & Cold Water Distribution Systems. Available in 1/2" CTS Socket or Spears® patented Special Reinforced (SR) 1/2" FIPT female thread inlet x 1/2" straight male thread outlet for connection to conventional 1/2" FPT faucet or toilet supply lines with captive seals.

- Easy 1/4-Turn Shutoff
- All Plastic Corrosion Proof Construction
- CTS CPVC Tan Body with Tan Colored High Impact Polypropylene Handle
- High Quality EPDM Seals
- NSF® Certified to ASTM F 1970 for use in ASTM D 2846 Hot & Cold Water Distribution Systems rated to 100 psi @ 180°F

## Sample Engineering Specification

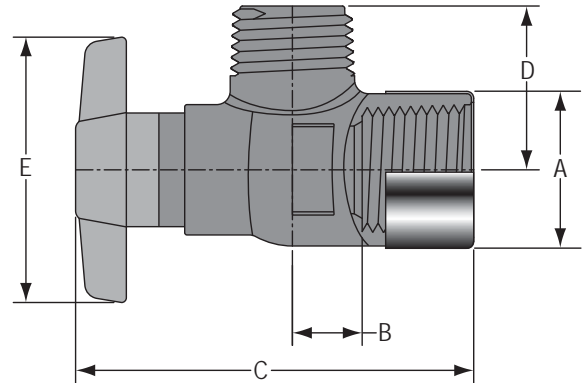
All thermoplastic Angle Supply Stops shall be Copper Tube Size (CTS) sealed unit type constructed from CPVC Type IV, ASTM D 1784 Cell Classification 23447. All O-rings shall be EPDM. All valves shall have Polypropylene handle. All Angle Supply Stops shall be pressure rated at 100 psi for water at 180°F, as manufactured by Spears® Manufacturing Company.

## Dimensions



**1/4-Turn Angle Supply Stop  
Socket x NPT**

| Nominal Size | A     | B    | C       | D   | E     |
|--------------|-------|------|---------|-----|-------|
| 1/2          | 27/32 | 7/16 | 2-13/32 | 1   | 1-3/4 |
| 1/2 x 3/8    | 7/8   | 7/16 | 2-3/8   | 7/8 | 1-3/4 |



**1/4-Turn Angle Supply Stop  
SR FIPT x NPT**

| Nominal Size | A      | B     | C       | D     | E     |
|--------------|--------|-------|---------|-------|-------|
| 1/2          | 1      | 15/32 | 2-21/32 | 1     | 1-3/4 |
| 1/2 x 3/8    | 1-1/32 | 15/32 | 2-5/8   | 31/32 | 1-3/4 |

## Quick-View Valve Selection Chart

| Valve Size | O-ring Material | Part Number |             | Pressure Rating                 |
|------------|-----------------|-------------|-------------|---------------------------------|
|            |                 | Socket      | SR Threaded |                                 |
| 1/2        | EPDM            | 7722-005    | 7721-005SR  | 100 psi Non-Shock Water @ 180°F |
| 1/2 x 3/8  | EPDM            | 7722-073    | 7721-073SR  | 100 psi Non-Shock Water @ 180°F |